

J.W. Speaker Model 526

Dual White Anti-Glare LED Work Light



Description

J.W. Speaker has now taken their anti-glare technology to the next level with the new dual-white anti-glare beam pattern for the Model 526 6 x 6" heavy-duty LED work light. In your choice of black or yellow die-cast aluminum housing, this dual white version features a wiring toggle configuration that allows the setup of the light colour temperature for 2800K warm white or 5000K cool white. Using warmer lights can be less harsh on the eyes for operators, reduce glare in dusty and foggy and also reduce the overall light pollution in the mine site.

Features

- Choice of Yellow or Black Die-cast Aluminum Housing sealed to IP69K
- Dual White Anti-Glare beam pattern
- 24 Volt Versions are available for Theft Deterrence

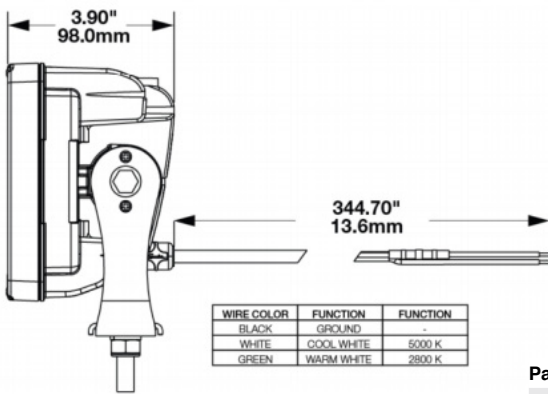
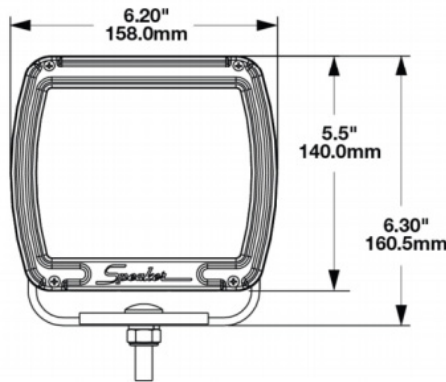
Application

Construction, agriculture, Industrial, material handling, forklifts, warehouses, mining, railroad, specialty vehicles, trucks and buses

Tech Specs

Type	LED Work Light
eLumens	3,464 Lu (Cool White), 3,390 Lu (Warm White)
rLumens	9,900 Lu (Cool White), 7,500 Lu (Warm White)
Candela Output	4,480 (Cool White), 4,508 (Warm White)
Beam Pattern	Anti-Glare Beam
Curren Draw	3.25A @ 24V DC (Cool White), 3.25A @ 24V DC (Warm White)
Input Voltage	24V DC
Operating Voltage	16-32V DC
Minimum Operating Temp.	-40 °C / -40 °F
Maximum Operating Temp.	65 °C / 149 °F
Housing Material	Die-Cast Aluminum
Housing Color	Yellow (1300571) or Black (1300641)
Outer Lens Material	Polycarbonate
Outer Lens Color	Clear
Connector or Wiring	iCONN connector - iMate23 3 wire
IP Rating	IEC IP69K
Mounting	Universal Pedestal Mount
Weight	4.60 lbs / 2.09 kgs
Shipping Weight	4.88 lbs / 2.21 kgs
Warranty	5 Years
Dimensions (WxHxD)	6.2"x6.3"x3.8" inches (157.48x160.02x96.52mm)

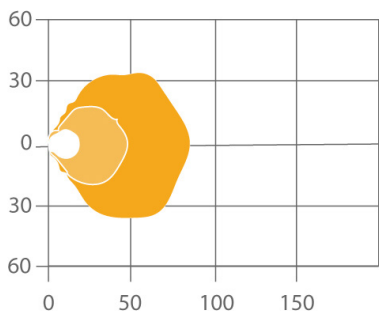
Additional Information
 "Warm/Cool White Color Temperatures:
 Warm White: 2800K
 Cool White: 5000K"



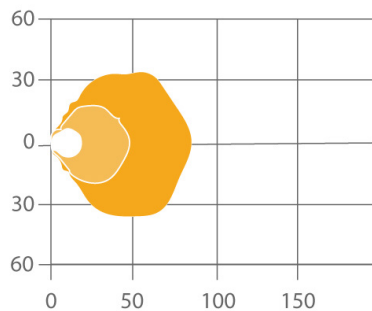
WIRE COLOR	FUNCTION	FUNCTION
BLACK	GROUND	-
WHITE	COOL WHITE	5000 K
GREEN	WARM WHITE	2800 K

Part No. Description

1300571	24V LED Work Light with Yellow Housing, Polycarbonate Lens & Dual White Anti-Glare Beam Pattern
1300641	24V LED Work Light with Black Housing, Polycarbonate Lens & Dual White Anti-Glare Beam Pattern
3268201	2.5M 18AWG iCONN iMATE 23 Wire Asm w/DT04-2P
3268191	15M 18AWG iCONN iMATE 23 Wire Asm w/DT04-2P



Anti-Glare Cool White Beam Pattern



Anti-Glare Warm White Beam Pattern



Authorised Importer and Master Distributor

