

# Speaker®

Engineered Lighting Solutions



**2014-2015**  
Aftermarket Product Catalog

REVISED AUGUST 8, 2014

**Table of Contents**

Why Choose J.W. Speaker Lights? .....4

New Products for 2014 .....8

Point-Of-Purchase Displays .....10

Forward Lighting .....12

Worklights .....40

Emergency & Warning.....90

Interior .....104

Signal Lights.....114

Thermal Imaging .....146

Electronics .....148

Heavy Duty Light Bars .....154

Vehicle Identification Signs .....156

Service Parts .....158

Lighting Terminology .....160

Raw vs. Effective Lumens .....161

EMI (Electromagnetic Interference).....162

Ingress Protection Ratings .....163

Regulatory Standards .....164

Headlight Condensation .....165

Warranty Statements .....166

Warranty Claim Process .....167

Model Number Index .....168



Information presented in this catalog is accurate to the best of our knowledge. J.W. Speaker reserves the right to update information contained in this catalog at any time and for any reason. J.W. Speaker is not liable for issues caused by any misuse or misunderstanding of the content contained in this catalog. For questions or to report an error, contact us at 262.251.6660 or toll-free at 800.558.7288. For the most current information, visit [www.jwspeaker.com](http://www.jwspeaker.com).

# Why Choose J.W. Speaker Lights?

## Experienced, Trusted Service

J.W. Speaker has been serving vehicular markets since 1935. We have been a trusted provider for the U.S. Military since the 1940's and a manufacturer of engineered lighting solutions since the 1950's. Our portfolio of customers includes household names such as Harley-Davidson, Arctic Cat, John Deere, and McLaren. These organizations, and many more, choose J.W. Speaker because of our experience, our nearly 80 year track record for innovation, and our dedication to quality and service.



**Weil Street Building, c. 1941**



**Freistadt Building, 2014**

## A Leader in Lighting Technology

J.W. Speaker is at the forefront of lighting technology. We know how important it is to stay ahead of the curve, which is why we invest in researching and developing new technologies.

There are thousands of LED lights in the marketplace, but few, if any, achieve the level of performance that comes standard with J.W. Speaker lights. The photo below is a side-by-side comparison of two DOT-approved LED headlights. Our LED headlight is on the left, and a competitor's LED headlight is on the right. The J.W. Speaker headlight has been specifically engineered to provide more light in the areas where it is needed most.

A new addition to our lineup of LED worklights is the XD Series. The XD Series uses a unique thermally-conductive polycarbonate housing which enables the lights to function in extreme heat without sacrificing output or durability.



**J.W. Speaker's DOT-Compliant Beam Pattern**



**Competitor's DOT-Compliant Beam Pattern**

# Why Choose J.W. Speaker Lights?

## Internal Testing

J.W. Speaker has a broad range of in-house testing capabilities to ensure that our products meet or exceed a wide variety of regulations and standards.

Our in-house test lab is equipped to test for:

### Electrical

- Electromagnetic Compatibility
- Electromagnetic Interference
- Electrostatic Discharge
- Transient Voltage
- Voltage Range

### Mechanical

- Condensation
- Drop Test
- Dust Ingress
- Erosion
- Lifespan
- Thermal Cycle
- Thermal Shock
- Torque
- Ultraviolet
- Vibration
- Water Immersion
- Water Spray

### Photometric

- Color
- Illuminance
- Luminance
- Luminous Flux
- Luminous Intensity

## External Testing

For instances where J.W. Speaker does not have the appropriate in-house equipment, we also have external testing capabilities, including the following:

- Conducted Emissions
- Electrostatic Discharge
- Environmental
- Highly Accelerated Life Test
- Radiated Emissions
- Radiated Immunity

## Extreme Testing

See page 40 for information on our new XD Series LED worklights, including a video where we put them through a series of extreme torture tests!



# Why Choose J.W. Speaker Lights?

## Lifetime Limited Warranty

J.W. Speaker currently offers the best LED product warranty in the industry. While other companies boast their own Lifetime Limited Warranties, the fine print reveals exclusions like “not for use in mining, construction, or other rugged applications.” Our products are designed, manufactured, and tested to work in those very applications, and we feel that it is important to have a warranty that backs that up. Read the full details of our Lifetime Limited Warranty on page 158.

## Certified for Quality

J.W. Speaker guarantees the highest quality products for our end-users. We are certified by various international government agencies that issue quality and safety requirements for our products, as well as the processes used to make them. To confirm that we meet their requirements, the agencies perform regular on-site audits of our factories. Their certification guarantees we have world-class techniques and methods for making high-quality products.

These are a few of the agencies that approve the design and production of J.W. Speaker’s lights:

- ECE – United Nations Economic Commission for Europe (Europe)
- CCC – China Compulsory Certificate (China)
- ICAT – International Centre for Automotive Technology (India)
- VSCC – Vehicle Safety Certification Center (Taiwan)



# Why Choose J.W. Speaker Lights?

## Your Educational Resource

We know that the best-made decision is an informed decision, which is why we want our customers to be knowledgeable about lighting. We've written articles, created glossaries, and expanded our product specification sheets with the goal of educating customers about lighting.

We want you to have a firm understanding about topics such as Raw vs. Effective Lumens, or how to differentiate between condensation and water ingress. You can find this information in the reference section of this catalog (which begins on page 152). Additional educational resources are available in the Reference section of our website, [www.jwspeaker.com](http://www.jwspeaker.com).

## Family Owned, American Made

John W. Speaker founded the J.W. Speaker Corporation in 1935. After his passing in 1960, his son, John A. Speaker, took over as president and began focusing on the vehicular lighting market. Today J.W. Speaker is led by John W. Speaker's grandsons, Tim and Jamie Speaker. We operate out of two facilities, both located in Germantown, Wisconsin.



# New Products



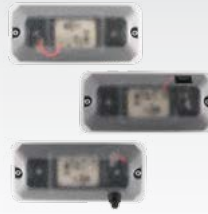
Model 90  
90mm LED Headlights  
Page 14



Model 217  
3" LED Signal Light  
Page 123



Model 255  
LED Vehicle Identification Sign  
Page 156



Models 410 & 411  
3" x 7" LED Dome Light  
Page 110



Model 515  
LED Material Handling Headlight  
Page 16



Model 526 XL  
6" x 6" LED Worklight  
Page 52



Model 527 RED  
5" x 10" LED Red Zone Light  
Page 97



Model 660  
3" x 7" LED Worklight  
Page 56



Model 670 XD  
4.5" (PAR36) LED Worklight  
Page 57



Model 680 XD  
5.75" (PAR46) LED Worklight  
Page 58



Model 770 XD  
3" x 5" LED Worklight  
Page 62



Model 770 RED  
3" x 5" LED Spot Light  
Page 102



Model 771 XD  
3" x 5" LED Worklight  
Page 63



Model 775 XD  
3" x 5" LED Worklight & Turn Signal  
Page 64, 143





Model 776 XD  
3" x 5" LED Dual Beam Worklight  
Page 65



Model 778 XD  
3" x 5" LED Backup Camera Light  
Page 66



Model 840 XD  
4" x 4" LED Worklight  
Page 73-75



Model 880 XD  
3" x 5" LED Worklight  
Page 76



Model 881 XD  
3" x 5" LED Worklight  
Page 77



Model 6020  
4" x 5" LED Worklight  
Page 80



Model 6048  
2" x 5" LED Fog Light  
Page 19



Model 6145  
4" LED Fog Light  
Page 22



Model 6150  
4" LED Fog Light  
Page 24



Model 7151  
4" x 5" LED Worklight  
Page 84



Model 8475  
LED Handheld Worklight  
Page 86

Model 8770  
7" (PAR 56) LED Locomotive Light  
Page 32



Model 9049  
3-Module LED Fog Light Bar  
Page 36



Anti-Flicker Harness  
Page 28

# Point-Of-Purchase Displays

Generating sales is your #1 priority, and studies show that product lines with point-of-purchase displays out-perform those without them. That's why J.W. Speaker has created five different styles of point-of-purchase displays for our authorized dealers, ranging from a small countertop display to a free-standing floor unit.

Each display comes pre-assembled, and is fully powered so that your customers can see J.W. Speaker LED lighting products in action—making it a highly effective selling tool. Each display is manufactured in the U.S.A.

Give us a call at 262.251.6660 or toll-free at 800.558.7288 to order yours today!

## Worklight Countertop Display

Part # DISPLAYCTWORK



- Includes Model 770 XD and 7150 worklights
- Measures 12" wide x 9" tall x 12" deep
- Comes fully assembled—just plug it in!
- Includes power supply and 120V AC plug
- Backlit J.W. Speaker logo
- Industrial-strength momentary switches to power the lights
- QR codes for smartphone users to scan and access product spec sheets
- Integrated literature pocket in base of unit

## Jeep Countertop Display

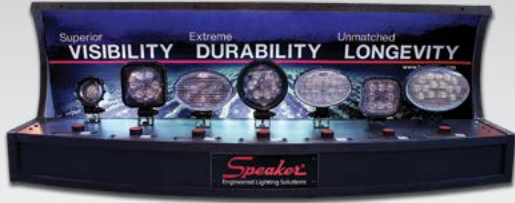
Part # DISPLAYCTJEEP



- Includes Models 6145 & 8700 Evolution lights
- Measures 14" wide x 12.25" tall x 12" deep
- Comes fully assembled—just plug it in!
- Designed to install into "slatwall" or sit on a flat surface
- Includes power supply and 120V AC plug
- Back-lit J.W. Speaker logo
- Industrial-strength momentary switches to power the lights
- QR codes for smartphone users to scan and access product spec sheet
- Integrated literature pocket in base of unit
- Includes 3' by 6' vinyl J.W. Speaker banner

# Lozier Worklight Display

Part # DISPLAYLZWORK



- Includes Models 670 XD, 735, 770 XD, 832, 840 XD, 4410, & 7150 lights
- Measures 46.5" wide x 16.5" tall x 17.25" deep
- Designed for use on Lozier-style shelving installations
- Includes power supply and 120V AC plug
- Back-lit J.W. Speaker logo
- Industrial-strength momentary switches to power the lights
- QR codes for smartphone users to scan and access product spec sheets
- Includes both an agricultural and industrial background graphic to mount in display, and 3' by 6' vinyl J.W. Speaker banner

# Diamondplate Headlight/Worklight Display

Part # DISPLAYDPWORK



- Includes Models 670 XD, 735, 770 XD, 832, 840 XD, 4410, 8700 Evolution, 8800 Low Beam, 8900 & TS3000 lights
- Measures 54" wide x 25.5" tall x 4.75" deep
- Heavy-duty diamondplate construction
- Designed to install into "slatwall" or sit on a flat surface
- Side-by-side mounting bucket for the 8800 and a halogen sealed beam (sealed beam not included) so customers can compare light output
- Includes power supply and 120V AC plug
- Back-lit J.W. Speaker logo
- Industrial-strength momentary switches to power the lights
- QR codes for smartphone users to scan and access product spec sheets
- Includes 3' by 6' vinyl J.W. Speaker banner

# Rotating Headlight/Worklight Display

Part # DISPLAYRTWORK



- Includes Models 405, 670 XD, 735, 770 XD, 832, 840 XD, 850, 4410, 7150, 8700 Evolution, 8800 Low Beam, & 8900 lights
- Measures 16" wide x 76" tall x 16" deep
- Top portion of display rotates approximately 300 degrees
- Lights come pre-mounted on slatwall-ready fixtures
- Sides of display feature slatwall so that you can customize how the lights appear on the display
- Power supply and wiring are accessible by removing the very top of the display unit
- Includes power supply and 120V AC plug
- Industrial-strength momentary switches to power the lights
- QR codes for smartphone users to scan and access product spec sheets
- Includes 3' by 6' vinyl J.W. Speaker banner

# Forward Lighting

## Headlights



Model 90  
Page 14



Model 515  
Page 16



Model 6048  
Page 19



Model 6130  
Page 20



Model 8415  
Page 25



Model 8630  
Page 26



Model 8700  
Evolution  
Page 28



Model 8700  
High Beam  
Page 30



Model 8770  
Page 32



Model 8800  
Page 33



Model 8800  
High/Low  
Page 34



Model 8900  
Page 35

## Auxiliary Lights



Model 832  
Page 17



Model 6045  
Page 18



Model 6145  
Page 22



Model 6150  
Page 23



Model 8655  
Page 27



Model 9049  
Light Bars  
Page 36



Model  
TS3000R  
Page 38



Model  
TS3000V  
Page 39

## Accessories



Anti-Flicker  
Harness  
Page 28



Optional Mounting  
Assemblies  
Page 31

# Why Buy J.W. Speaker Forward Lighting?

## Superior Optics

A big reason that J.W. Speaker forward lighting products are different is because of our projector-style optics. Our proprietary “marble” optics and “D” lenses combine to create the perfect engineered beam pattern that puts light exactly where you need it most without blinding oncoming traffic or wasting light.

## Wide Selection

J.W. Speaker Corporation has the broadest range of LED headlights on the market. We’ve got everything from a 90mm (Model 90) to a 7" round (8700 Evolution) and 5" x 7" (Model 8900). We also have a full range of LED auxiliary lights including fog lights, light bars, and driving lights. No other company has such a wide selection. No other company knows LED forward lighting like we do.

## Exceeding Standards

The complicated nature of LED headlights leads most manufacturers to choose between producing LED headlights that either meet on-road standards or are optimized for maximum visibility. We don't think that customers should have to settle for just one or the other. While it is considerably more difficult to do this, J.W. Speaker is committed to designing LED headlights that exceed on-road standards and offer a superior beam pattern.

In the photographs to the right, you'll see the beam patterns of two different DOT-compliant low beam headlights. The first is a competitor's, and the second is J.W. Speaker's. Notice how the beam pattern of the competitor's product (despite being DOT-compliant) is just a narrow band of light. J.W. Speaker's beam pattern, on the other hand, has a much larger shape and evenly distributes the light to increase visibility. Meeting on-road standards is certainly important, but you should compare beam patterns to ensure you're getting the best LED headlights for your money.



**Competitor's DOT-Compliant Beam Pattern**



**J.W. Speaker's DOT-Compliant Beam Pattern**

## Peace of Mind

All our LED forward lighting products come backed with our unmatched Lifetime Limited Warranty that covers defects in materials, components, and workmanship, and applies to the original installation of the light. For more information about our LED warranty, see page 158.

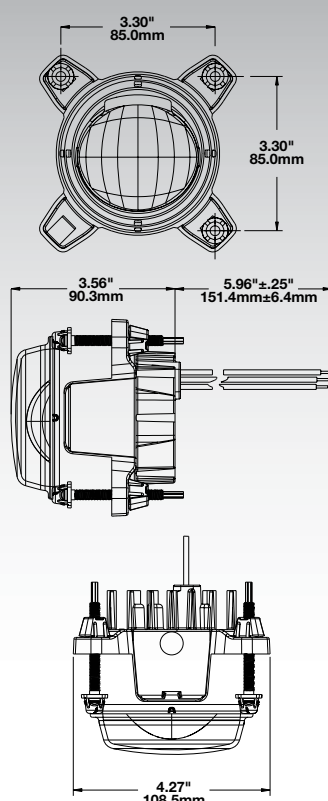
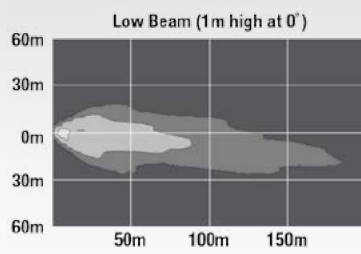
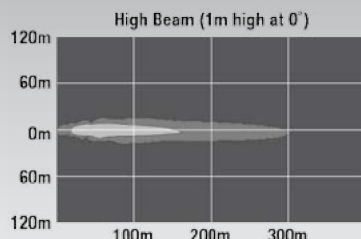


# Model 90

## 90mm LED Headlights



10+ Lux    1 Lux    0.25 Lux



**Light Source:** LED

---

**Light Output:** 45,000 (High Beam)/ 17,500 (Low Beam)  
Max Candelas

---

**Input Voltage:** 12-24V DC

---

**Current Draw:**  
**Low Beam:** 1.90 Amps @ 12V DC; 0.95 Amps @ 24V DC  
**High Beam:** 0.80 Amps (High Beam);  
 0.40 Amps (Front Position) @ 12V DC;  
 0.40 Amps (High Beam);  
 0.20 Amps (Front Position) @ 24V DC

---

**Standards:** FMVSS 108 (DOT Compliant), CMVSS 108 (Transport Canada Compliant), ECE Reg. 7 (Position & Stop), ECE Reg. 112 (Headlights), Buy America Compliant, Sealed to IP67

---

**Mounting:** Retrofits standard 90mm projector headlights

---

**Special Notes:** Right Hand Traffic (RHT) describes vehicles that drive on the right-hand side of the road. Left Hand Traffic (LHT) describes vehicles that drive on the left-hand side of the road.

| Function                                | Additional Information | Voltage   | Lens          | Part #  |
|---|------------------------|-----------|---------------|---------|
| DOT/ECE RHT High Beam w/ Front Position | Hardcoated Lens        | 12-24V DC | Polycarbonate | 0547751 |
| DOT/ECE RHT Low Beam, No Front Position | Hardcoated Lens        | 12-24V DC | Polycarbonate | 0547761 |
| ECE LHT* Low Beam, No Front Position    | Hardcoated Lens        | 12-24V DC | Polycarbonate | 0547801 |
| Replacement Adjuster Kit                |                        |           |               | 8200111 |

\*ECE versions are not available for sale in the U.S.A.

# Model 90

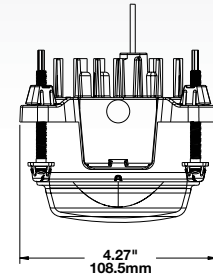
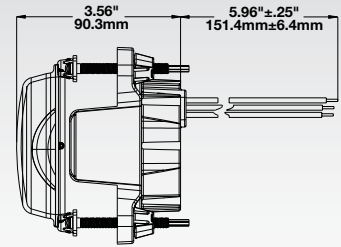
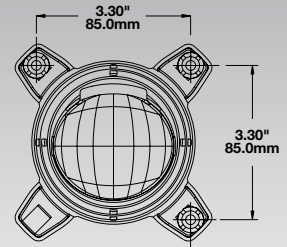
## 90mm LED Multi-function Lights



Turn Signal, DRL & Front Position



DRL & Fog



**Light Source:** LED

**Raw Output:** 720 Lumens (Fog Light Only)

**Effective Output:** 350 Lumens (Fog Light Only)

**Input Voltage:** 12-24V DC

**Current Draw:**

**DRL:** 0.60 Amps @ 12V DC; 0.35 Amps @ 24V DC

**Fog Beam:** 0.80 Amps @ 12V DC; 0.45 Amps @ 24V DC

**Front Position:** 0.07 Amps @ 12V DC; 0.04 Amps @ 24V DC

**Turn Signal:** 1.60 Amps @ 12V DC; 1.30 Amps @ 24V DC

**Standards:** FMVSS 108 (DOT Compliant), CMVSS 108 (Transport Canada Compliant), ECE Reg. 6 (Turn Signal), ECE Reg. 7 (Front Position), ECE Reg. 87 (DRL), SAE J588 (Turn Signal), SAE J2087 (DRL), Buy America Compliant, Sealed to IP67

**Mounting:** Retrofits standard 90mm projector headlights

**Special Note:** DRL describes the Daytime Running Light function

| Function                                    | Additional Information | Voltage   | Lens          | Part #  |
|---|------------------------|-----------|---------------|---------|
| DOT/ECE DRL & Fog                           |                        | 12-24V DC | Polycarbonate | 0549501 |
| DOT/ECE Turn Signal, DRL and Front Position |                        | 12-24V DC | Polycarbonate | 0345591 |

\*ECE versions are not available for sale in the U.S.A.

# Model 515

## 4" x 8" LED Material Handling Headlight

Worklights

Emergency & Warning

Interior

Signal Lights

Thermal Imaging

Electronics

Heavy Duty Light Bars

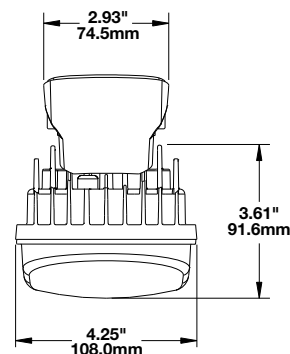
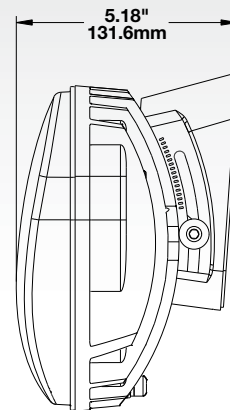
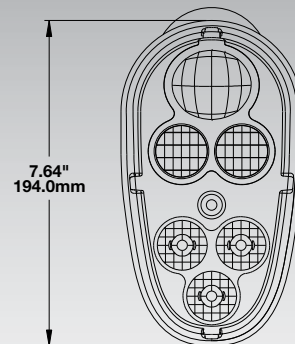
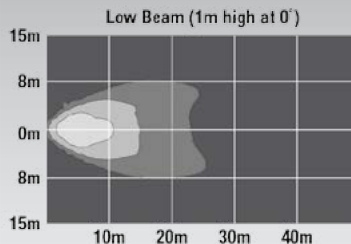
Vehicle Identification

Service Parts

Reference



10+ Lux    1 Lux    0.25 Lux



**Light Source:** LED

**Raw Output:** 540 Lumens

**Effective Output:** 420 Lumens

**Input Voltage:** 12-48V DC

**Current Draw:**

**Low Beam:** 0.60 Amps @ 12V DC; 0.30 Amps @ 24V DC; 0.20 Amps @ 36V DC; 0.15 Amps @ 48V DC

**Front Position:** 0.05 Amps @ 12V DC; 0.05 Amps @ 24V DC; 0.05 Amps @ 36V DC; 0.05 Amps @ 48V DC

**Turn Signal:** 1.45 Amps @ 12V DC; 0.70 Amps @ 24V DC 0.45 Amps @ 36V DC; 0.40 Amps @ 48V DC

**Standards:** ECE Reg. 6 (Signal), ECE Reg. 7 (Position & Stop), ECE Reg. 113 (Headlights), Buy America Compliant, Sealed to IP67

**Mounting:** Custom mount

| Function                                   | Additional Information              | Voltage   | Lens          | Part #  |
|--|-------------------------------------|-----------|---------------|---------|
| ECE Low Beam, Front Position & Turn Signal | Black Inner Bezel, Hardcoated Lens  | 12-48V DC | Polycarbonate | 0548901 |
| ECE Low Beam, Front Position & Turn Signal | Chrome Inner Bezel, Hardcoated Lens | 12-48V DC | Polycarbonate | 0549201 |

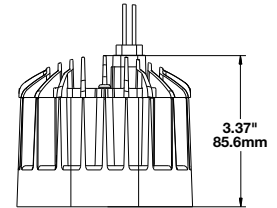
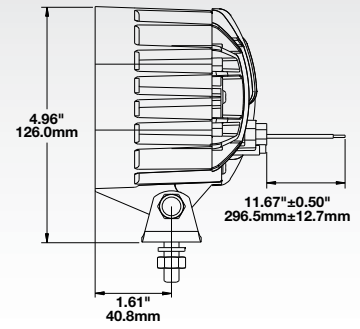
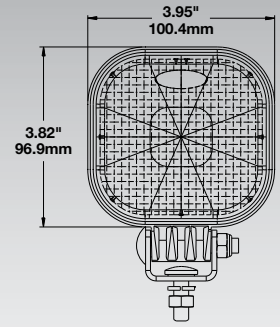
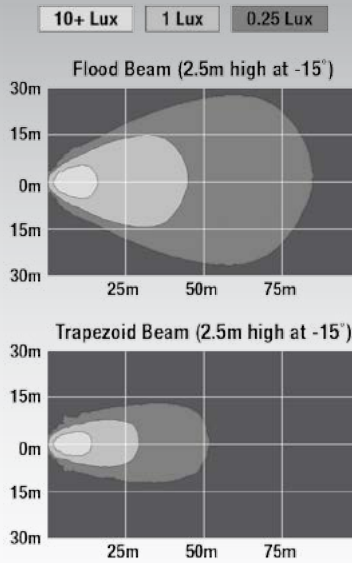


# Model 832

## 4" x 4" LED Auxiliary Light



- Light Source:** LED
- Raw Output:** 2,400 Lumens
- Effective Output:** 1,425 Lumens
- Input Voltage:** 12-24V DC
- Current Draw:** 2.90 Amps @ 12V DC; 1.36 Amps @ 24V DC
- Standards:** Buy America Compliant, Sealed to IP67
- Mounting:** Universal pedestal mount



| Function | Additional Information | Voltage   | Lens          | Part #  |
|----------|------------------------|-----------|---------------|---------|
| Flood    |                        | 12-24V DC | Polycarbonate | 0545631 |
| Trap     |                        | 12-24V DC | Polycarbonate | 0545621 |

# Model 6045

## 4.5" (PAR36) LED Fog Light

Worklights

Emergency & Warning

Interior

Signal Lights

Thermal Imaging

Electronics

Heavy Duty Light Bars

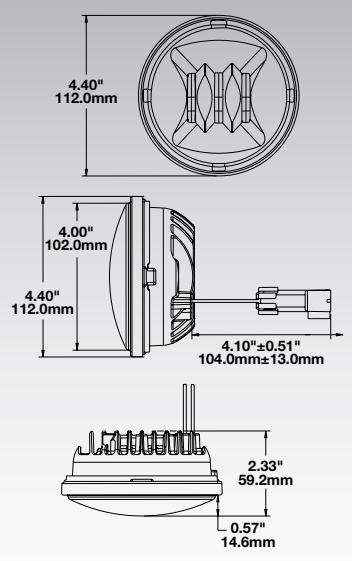
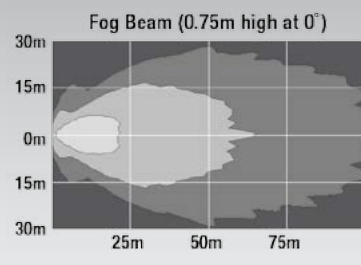
Vehicle Identification

Service Parts

Reference



10+ Lux    1 Lux    0.25 Lux



**Light Source:** LED

---

**Raw Output:** 750 Lumens

---

**Effective Output:** 500 Lumens

---

**Input Voltage:** 12V DC

---

**Current Draw:** 2.15 Amps @ 12V DC

---

**Standards:** FMVSS 108 (DOT Compliant), CMVSS 108 (Transport Canada Compliant), SAE J583 (Fog), ECE Reg. 19 (Fog), Buy America Compliant

---

**Mounting:** Retrofits PAR36 headlights

---

**Special Notes:** Right Hand Traffic (RHT) describes vehicles that drive on the right-hand side of the road. Left Hand Traffic (LHT) describes vehicles that drive on the left-hand side of the road.

| Function        | Additional Information              | Voltage | Lens          | Part #  |
|-----------------|-------------------------------------|---------|---------------|---------|
| DOT/ECE RHT Fog | Black Inner Bezel, Hardcoated Lens  | 12V DC  | Polycarbonate | 0545731 |
| DOT/ECE RHT Fog | Chrome Inner Bezel, Hardcoated Lens | 12V DC  | Polycarbonate | 0546161 |

# Model 6048

## 2" x 5" LED Auxiliary Lights



**Light Source:** LED

**Raw Output:** 800 Lumens

**Effective Output:** 500 (Fog Beam)/ 575 (Driving Beam)/ 570 (Spot) Lumens

**Input Voltage:** 12V or 14V DC

**Current Draw:** 1.20 Amps @ 12V DC

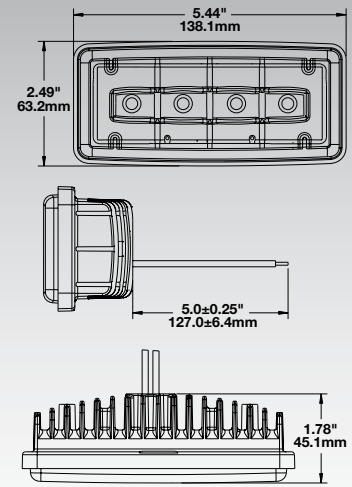
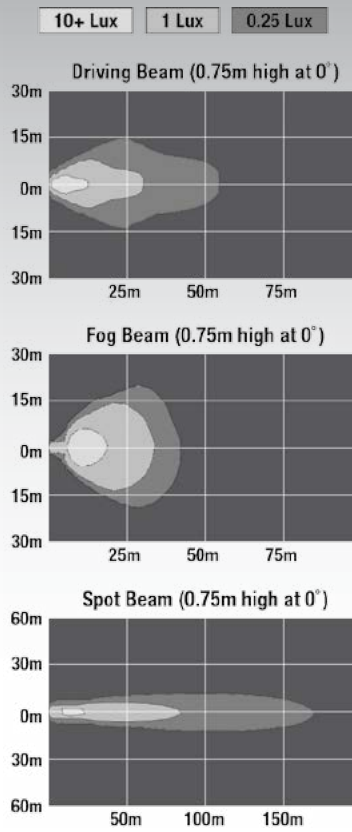
**Standards:**

**Fog Version:** FMVSS 108 (DOT Compliant), CMVSS 108 (Transport Canada Compliant), SAE J583 (Fog), SAE J1113 (Radiated Emissions), ECE Reg. 10 (Radiated Emissions), ECE Reg. 19 (Fog), Buy America Compliant, Sealed to IP69K

**Driving & Spot Versions:** SAE J1113 (Radiated Emissions), ECE Reg. 10 (Radiated Emissions), Buy America Compliant, Sealed to IP67

**Mounting:** Flush mount

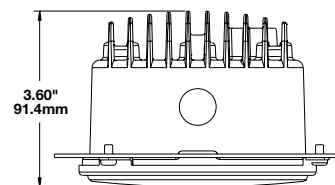
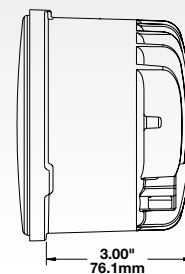
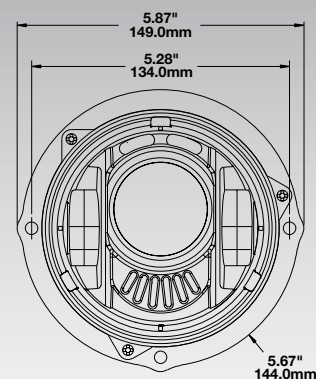
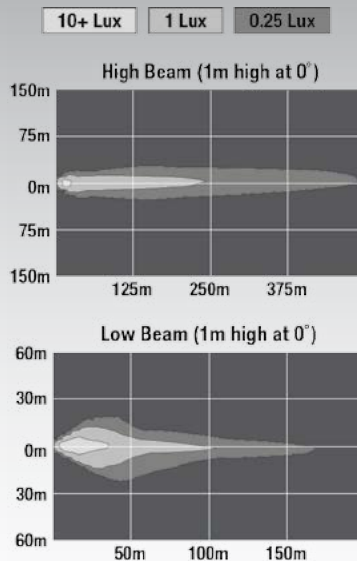
**Special Notes:** Right Hand Traffic (RHT) describes vehicles that drive on the right-hand side of the road. Left Hand Traffic (LHT) describes vehicles that drive on the left-hand side of the road.



| Function                  | Additional Information | Voltage | Lens          | Part #  |
|---------------------------|------------------------|---------|---------------|---------|
| DOT/ECE RHT Fog           | Hardcoated Lens        | 14V DC  | Polycarbonate | 0549691 |
| SAE/ECE RHT & LHT Driving | Hardcoated Lens        | 12V DC  | Polycarbonate | 0543591 |
| SAE/ECE Spot              | Hardcoated Lens        | 12V DC  | Polycarbonate | 0548631 |

# Model 6130

## 4.5" (PAR36) LED Headlights



**Light Source:** LED

**Raw Output:** 2,400 (High Beam)/ 1,200 (Low Beam) Lumens

**Effective Output:** 1,050 (High Beam)/ 525 (Low Beam) Lumens

**Input Voltage:** 12-24V DC

**Current Draw:**

**Low Beam:** 2.25 Amps @ 12V DC; 1.30 Amps @ 24V DC

**High Beam:** 5.50 Amps @ 12V DC; 2.60 Amps @ 24V DC

**Standards:** FMVSS 108 (DOT Compliant), CMVSS 108 (Transport Canada Compliant), ECE Reg. 112 (Headlights), Buy America Compliant, Sealed to IP67

**Mounting:** Retrofits PAR36 headlights

**Special Notes:** Right Hand Traffic (RHT) describes vehicles that drive on the right-hand side of the road. Left Hand Traffic (LHT) describes vehicles that drive on the left-hand side of the road.

| Function  | Additional Information    | Voltage         | Lens  | Part #  |
|---|---------------------------|-----------------|-------|---------|
| DOT/ECE RHT & LHT High Beam                         | Light w/ Mounting Bracket | Driver Required | Glass | 0544591 |
| DOT/ECE RHT Low Beam                                | Light w/ Mounting Bracket | Driver Required | Glass | 0544581 |
| ECE LHT* Low Beam                                   | Light w/ Mounting Bracket | Driver Required | Glass | 0545031 |
| LED Driver Assembly for Model 6130<br>LED Headlight |                           |                 |       | 0842091 |

\*ECE versions are not available for sale in the U.S.A.

# Ultimate Adventure

## 2014 Official Lighting Sponsor



J.W. Speaker Corporation is proud to be the Official Lighting Sponsor of Ultimate Adventure 2014! We built a brand new rig specifically for the event, and it handled like a dream!

Each year Petersen's 4-Wheel & Off-Road hosts Ultimate Adventure. Petersen's selects four readers and their rigs to join the staff, friends, and sponsors of the magazine for the best 4x4 summer camp/vacation ever. Ultimate Adventure changes location every year, and isn't announced until days before the adventure begins. The thousand-mile road trip includes a challenging four-wheel trail thrown in almost every day. The teams live out of their rig and cook, camp, and enjoy the great outdoors.



Drivers must come with rigs ready for challenging trails, as there are no bypasses, no way to avoid body damage. This event isn't for whiners, and will test the abilities of both the driver and vehicle.

For more pictures from Ultimate Adventure, like us on Facebook at [www.facebook.com/jwspeaker](http://www.facebook.com/jwspeaker).



# Model 6145

## 4" LED Fog Light

Worklights

Emergency &amp; Warning

Interior

Signal Lights

Thermal Imaging

Electronics

Heavy Duty Light Bars

Vehicle Identification

Service Parts

Reference



The Model 6145 is exactly what your Jeep has been missing. The Model 6145 LED fog light is a high-performance drop-in replacement that retrofits stock Jeep bumper-mounted fog lights, as well as an assortment of other vehicles. The retrofit is an easy plug-and-play installation on many models, and requires simple wire splicing on others (see chart below for specifics).

### Plug & Play

- 2007-2010 Jeep Wrangler
- 2009 Dodge Journey
- 2005-2008 Dodge Magnum
- 2006-2010 PT Cruiser

### Splicing Required

- 2011-2012 Jeep Wrangler
- 2010-2012 Dodge Journey
- 2011-2012 Jeep Grand Cherokee
- 2011-2012 Dodge Charger
- 2005 Chrysler 300

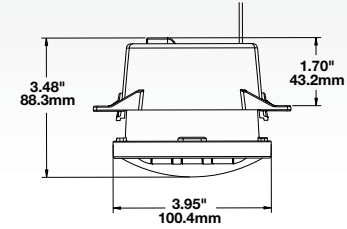
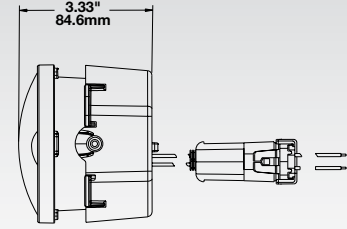
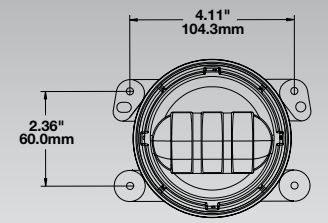
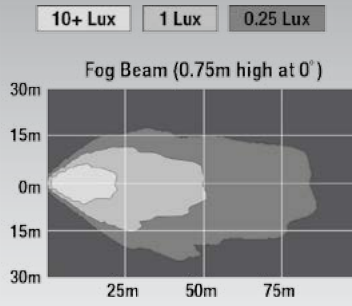
**Note: The Model 6145 is not compatible with 2013 Jeep Wrangler Rubicon 10th Anniversary Edition.**

**For the most current retrofit information, please visit the Model 6145 product page at [www.jwspeaker.com](http://www.jwspeaker.com).**

Utilizing state-of-the-art optics, the Model 6145 provides superior visibility and surpasses DOT, ECE, and Transport Canada standards for on-road use. The hardcoated polycarbonate lens and heavy duty die-cast aluminum housing make the Model 6145 extremely durable. It comes with a Lifetime Limited Warranty and is available in your choice of black or chrome finish.

# Model 6145

## 4" LED Fog Light



**Light Source:** LED

**Raw Output:** 1,080 Lumens

**Effective Output:** 610 Lumens

**Input Voltage:** 12V DC

**Current Draw:** 1.60 Amps @ 12V DC

**Standards:** FMVSS 108 (DOT Compliant), CMVSS 108 (Transport Canada Compliant), SAE J583 (Fog), SAE J1113 (Radiated Emissions), ECE Reg. 10 (Radiated Emissions), ECE Reg. 19 (Fog), Buy America Compliant

**Mounting:** In-bumper mount (see previous page for details)

**Special Notes:** Right Hand Traffic (RHT) describes vehicles that drive on the right-hand side of the road. Left Hand Traffic (LHT) describes vehicles that drive on the left-hand side of the road.

| Function              | Additional Information              | Voltage | Lens          | Part #  |
|-----------------------|-------------------------------------|---------|---------------|---------|
| DOT/ECE RHT & LHT Fog | Black Inner Bezel, Hardcoated Lens  | 12V DC  | Polycarbonate | 0547971 |
| DOT/ECE RHT & LHT Fog | Chrome Inner Bezel, Hardcoated Lens | 12V DC  | Polycarbonate | 0547941 |

# Model 6150

## 4" LED Fog Light

Worklights

Emergency & Warning

Interior

Signal Lights

Thermal Imaging

Electronics

Heavy Duty Light Bars

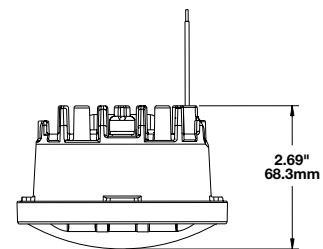
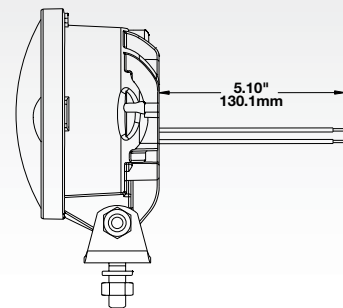
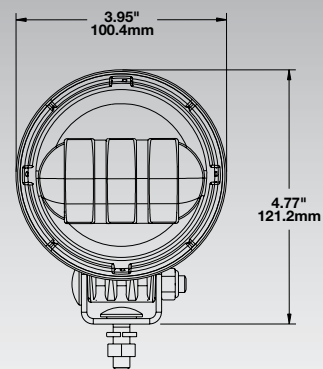
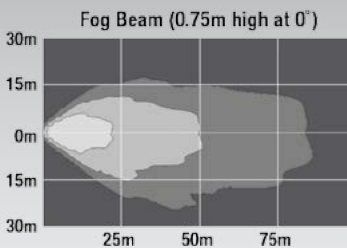
Vehicle Identification

Service Parts

Reference



10+ Lux    1 Lux    0.25 Lux



**Light Source:** LED

**Raw Output:** 1,080 Lumens

**Effective Output:** 610 Lumens

**Input Voltage:** 12V DC

**Current Draw:** 1.60 Amps @12V DC

**Standards:** FMVSS 108 (DOT Compliant), CMVSS 108 (Transport Canada Compliant), SAE J583 (Fog), SAE J1113 (Radiated Emissions), ECE Reg. 10 (Radiated Emissions), ECE Reg. 19 (Fog), Buy America Compliant

**Mounting:** Universal pedestal mount

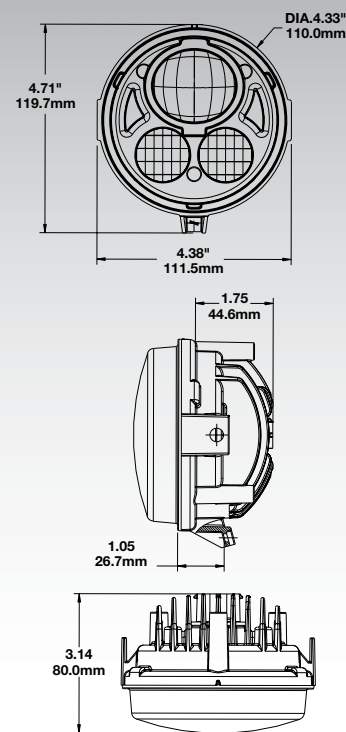
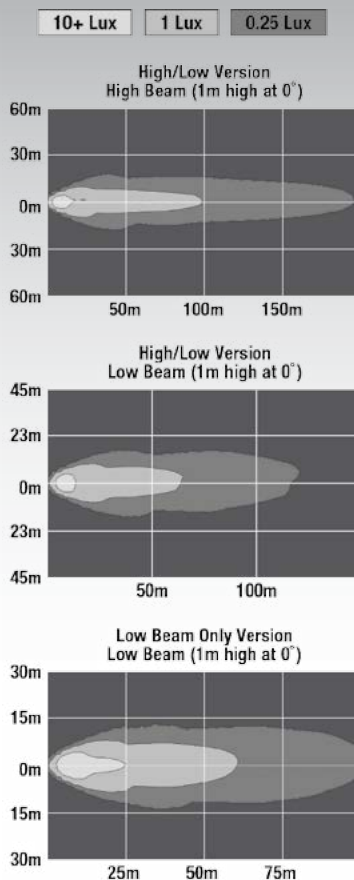
**Special Notes:** Right Hand Traffic (RHT) describes vehicles that drive on the right-hand side of the road. Left Hand Traffic (LHT) describes vehicles that drive on the left-hand side of the road.

| Function              | Additional Information                              | Voltage | Lens          | Part #  |
|-----------------------|---|---------|---------------|---------|
| DOT/ECE RHT & LHT Fog | Black Housing, Chrome Inner Bezel, Hardcoated Lens  | 12V DC  | Polycarbonate | 0547951 |
| DOT/ECE RHT & LHT Fog | Black Housing, Black Inner Bezel, Hardcoated Lens   | 12V DC  | Polycarbonate | 0547981 |
| DOT/ECE RHT & LHT Fog | Silver Housing, Chrome Inner Bezel, Hardcoated Lens | 12V DC  | Polycarbonate | 0548991 |



# Model 8415

## 4.5" (PAR36) LED Headlights



**Light Source:** LED

**Raw Output:**

**High/Low Version:** 1,000 (High Beam)/  
600 (Low Beam) Lumens

**Low Beam Only Version:** 540 Lumens

**Effective Output:**

**High/Low Version:** 570 (High Beam)/ 350 (Low Beam) Lumens

**Low Beam Only Version:** 420 Lumens

**Input Voltage:** 12V DC

**Current Draw:**

**High/Low Version:** 1.70 Amps @ 12V DC

**Low Beam Only Version:** 0.85 Amps @ 12V DC

**Standards:** SAE J1623 (All-Terrain Headlights), ECE Reg. 113 (Headlights), Buy America Compliant, Sealed to IP67

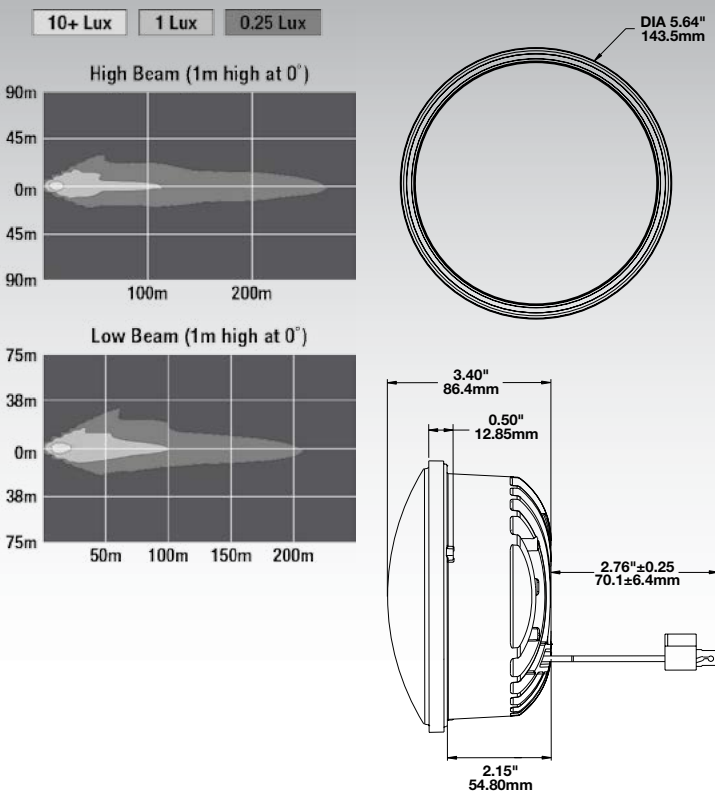
**Mounting:** Low profile mount

**Special Note:** Please note that this product is not approved for on-road use

| Function              | Additional Information                          | Voltage | Lens          | Part #  |
|-----------------------|---|---------|---------------|---------|
| SAE/ECE High/Low Beam | Light w/ Adjustable Mount, Hardcoated Lens      | 12V DC  | Polycarbonate | 0547701 |
| SAE/ECE High/Low Beam | Light w/ Universal Panel Mount, Hardcoated Lens | 12V DC  | Polycarbonate | 0547031 |
| SAE/ECE Low Beam      | Light w/ Universal Panel Mount, Hardcoated Lens | 12V DC  | Polycarbonate | 0545911 |

# Model 8630

## 5.75" (PAR46) LED Headlight



**Light Source:** LED

**Raw Output:** 1,200 Lumens

**Effective Output:** 650 (High Beam)/  
600 (Low Beam) Lumens

**Input Voltage:** 12-24V DC

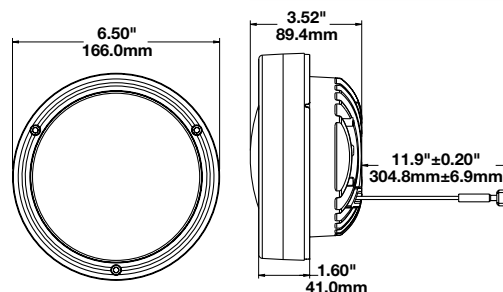
**Current Draw:** 2.00 Amps @ 12V; 1.00 Amps @ 24V

**Standards:** FMVSS 108 (DOT Compliant), CMVSS 108 (Transport Canada Compliant), ECE Reg. 7 (Position & Stop), ECE Reg. 112 (Headlights), ECE Reg. 10 (Radiated Emissions), Buy America Compliant, Sealed to IP67

**Mounting:** Retrofits PAR46 headlights

**Special Notes:** This headlight was not designed for motorcycle applications and may not fit a standard motorcycle bucket. Right Hand Traffic (RHT) describes vehicles that drive on the right-hand side of the road. Left Hand Traffic (LHT) describes vehicles that drive on the left-hand side of the road.

### Mining Haul Truck Retrofit Kit



| Function                              | Additional Information                                   | Voltage   | Lens          | Part #  |
|---------------------------------------|--|-----------|---------------|---------|
| DOT High Beam                         | Hardcoated Lens  | 12-24V DC | Polycarbonate | 0547051 |
| DOT High Beam                         | Mining Haul Truck Retrofit Kit Included, Hardcoated Lens | 12-24V DC | Polycarbonate | 0547671 |
| DOT High/Low Beam                     | Hardcoated Lens  | 12-24V DC | Polycarbonate | 0545741 |
| ECE LHT* Front Position High/Low Beam |  | 12-24V DC | Glass         | 0546331 |
| ECE RHT* Front Position High/Low Beam |  | 12-24V DC | Glass         | 0546341 |

\*ECE versions are not available for sale in the U.S.A.

# Model 8655

## 5.75" (PAR46) LED Auxiliary Light



- Light Source:** LED

---

- Raw Output:** 4,800 Lumens

---

- Effective Output:** 3,000 Lumens

---

- Input Voltage:** 12-24V DC

---

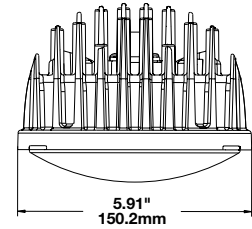
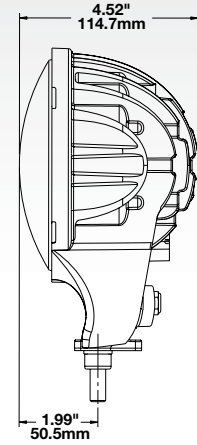
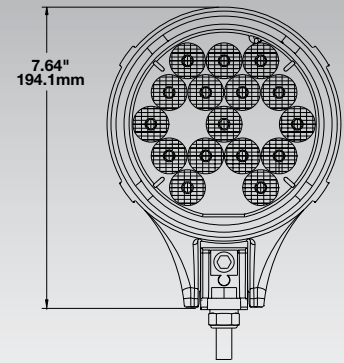
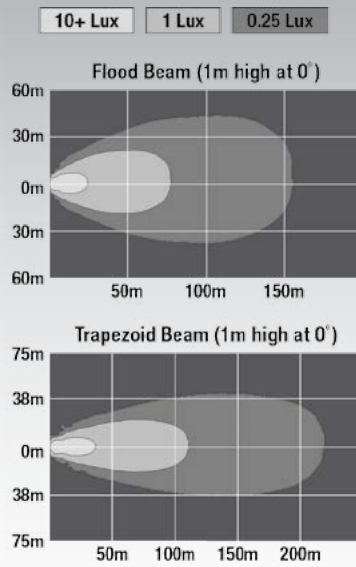
- Current Draw:** 7.60 Amps @ 12V DC; 3.20 Amps @ 24V DC

---

- Standards:** IEC 60529, Buy America Compliant, Sealed to IP67

---

- Mounting:** Universal pedestal mount



Forward Lighting

Worklights

Emergency & Warning

Interior

Signal Lights

Thermal Imaging

Electronics

Heavy Duty Light Bars

Vehicle Identification

Service Parts

Reference

| Function | Additional Information | Voltage   | Lens  | Part #  |
|----------|------------------------|-----------|-------|---------|
| Flood    |                        | 12-24V DC | Glass | 0547551 |
| Trap     |                        | 12-24V DC | Glass | 0547541 |

# Model 8700 Evolution

## 7" (PAR56) LED Headlight



Voted the most innovative product of 2012 by OEM Off-Highway Magazine, the Model 8700 Evolution is a high-performance LED headlight that's taken the lighting market by storm. The Model 8700 Evolution features projector-style optics for superior visibility, state-of-the-art electronics for unmatched longevity, and sturdy construction for rugged durability. If you're looking for premium performance and a unique look, the Model 8700 Evolution is a perfect upgrade!

The Model 8700 Evolution, like most of our LED headlights, is available in a variety of different configurations. Regardless of where in the world you live, we have a version of the Model 8700 Evolution that meets your on-road requirements. Additionally, you have your choice of either a black or chrome finish.

## New for 2014: Anti-Flicker Harness

J.W. Speaker now has an Anti-Flicker Harness to address Pulse Width Modulation (PWM) issues with newer model year Jeeps. PWM describes the pulsing of power to the headlights from the Jeep electrical system in order to save bulb life. Because bulbs are not as responsive as LEDs, there's no noticeable effect from PWM. LEDs, however, are incredibly responsive, so they sometimes appear to flicker when installed on systems with PWM. The Anti-Flicker Harness directs power to the LED headlights in a constant, steady flow—eliminating the flicker caused by PWM.



**Please note that the J.W. Speaker anti-flicker harness is the only approved harness for use with J.W. Speaker lights. Damage caused from using non-J.W. Speaker harnesses is not covered under warranty.**

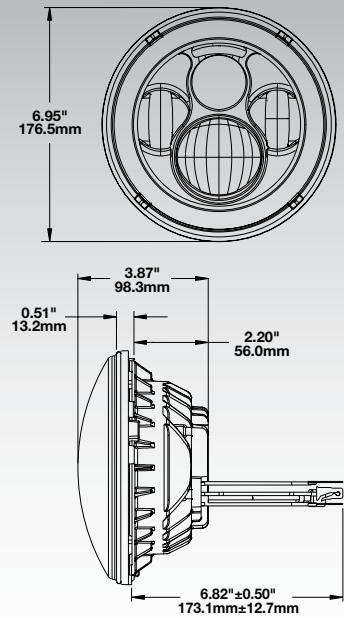
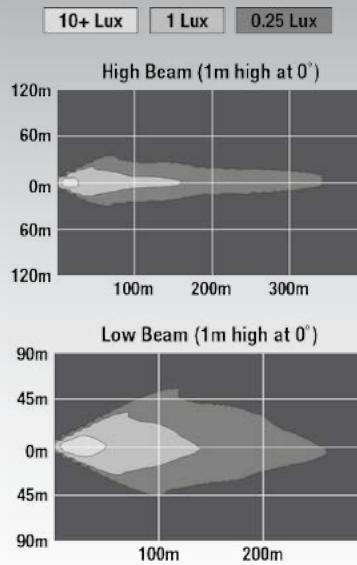
# Model 8700 Evolution

## 7" (PAR56) LED Headlight



ECE Version w/  
Front Position

DOT Version



**Light Source:** LED

**Raw Output:** 1,350 (Low Beam)/ 1,770 (High Beam) Lumens

**Effective Output:** 650 (Low Beam)/ 760 (High Beam) Lumens

**Input Voltage:** 12-24V DC

**Current Draw:** 2.50 Amps @ 12V DC; 1.30 Amps @ 24V DC

**Standards:** FMVSS 108 (DOT Compliant), CMVSS 108 (Transport Canada Compliant), ECE Reg. 112 (Headlights), MIL-STD-461, Buy America Compliant, Sealed to IP67

**Mounting:** Retrofits PAR56 headlights

**Special Notes:** Right Hand Traffic (RHT) describes vehicles that drive on the right-hand side of the road. Left Hand Traffic (LHT) describes vehicles that drive on the left-hand side of the road.

| Function                                  | Additional Information              | Voltage   | Lens          | Part #  |
|---|-------------------------------------|-----------|---------------|---------|
| DOT High/Low Beam, No Front Position      | Black Inner Bezel, Hardcoated Lens  | 12-24V DC | Polycarbonate | 0547331 |
| DOT High/Low Beam, No Front Position      | Chrome Inner Bezel, Hardcoated Lens | 12-24V DC | Polycarbonate | 0547891 |
| ECE LHT* High/Low Beam, No Front Position | Black Inner Bezel, Hardcoated Lens  | 12-24V DC | Polycarbonate | 0548341 |
| ECE LHT* High/Low Beam, No Front Position | Chrome Inner Bezel, Hardcoated Lens | 12-24V DC | Polycarbonate | 0548351 |
| ECE LHT* High/Low Beam, w/ Front Position | Black Inner Bezel, Hardcoated Lens  | 12-24V DC | Polycarbonate | 0547341 |
| ECE LHT* High/Low Beam, w/ Front Position | Chrome Inner Bezel, Hardcoated Lens | 12-24V DC | Polycarbonate | 0547901 |
| ECE RHT* High/Low Beam, No Front Position | Black Inner Bezel, Hardcoated Lens  | 12-24V DC | Polycarbonate | 0548361 |
| ECE RHT* High/Low Beam, No Front Position | Chrome Inner Bezel, Hardcoated Lens | 12-24V DC | Polycarbonate | 0548371 |
| ECE RHT* High/Low Beam, w/ Front Position | Black Inner Bezel, Hardcoated Lens  | 12-24V DC | Polycarbonate | 0547351 |
| ECE RHT* High/Low Beam, w/ Front Position | Chrome Inner Bezel, Hardcoated Lens | 12-24V DC | Polycarbonate | 0547911 |
| H4/H13 Jumper Harness                     |                                     |           |               | 3266081 |
| Anti-Flicker Harness                      | Eliminates Flickering due to PWM    |           |               | 8000311 |

\*ECE versions are not available for sale to US customers.

# Model 8700 High Beam 7" (PAR56) LED Headlight

Worklights

Emergency & Warning

Interior

Signal Lights

Thermal Imaging

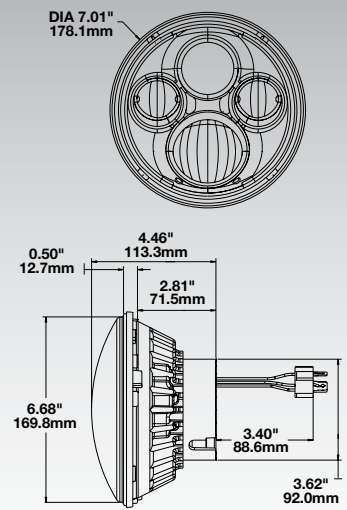
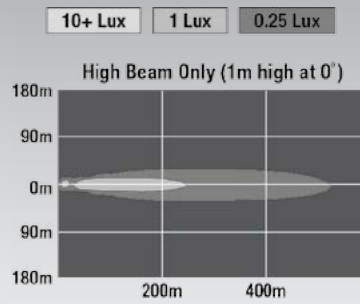
Electronics

Heavy Duty Light Bars

Vehicle Identification

Service Parts

Reference



- Light Source:** LED

---

- Raw Output:** 1,900 Lumens

---

- Effective Output:** 950 Lumens

---

- Input Voltage:** 12-24V DC

---

- Current Draw:** 4.00 Amps @ 12V DC; 2.00 Amps @ 24V DC

---

- Standards:** ECE Reg. 10 (Radiated Emissions), ECE Reg. 112 (Headlights), Buy America Compliant, Sealed to IP67

---

- Mounting:** Retrofits PAR56 headlights

---

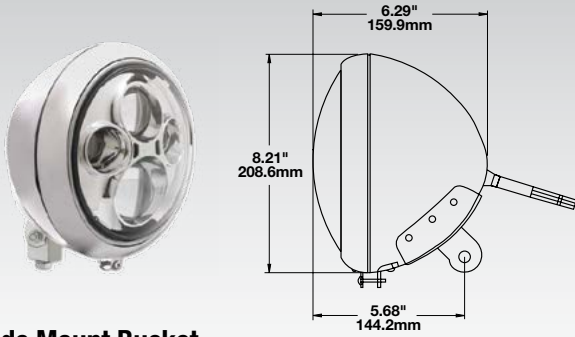
- Special Notes:** Right Hand Traffic (RHT) describes vehicles that drive on the right-hand side of the road. Left Hand Traffic (LHT) describes vehicles that drive on the left-hand side of the road.

| Function                 | Additional Information              | Voltage   | Lens          | Part #  |
|--------------------------|-------------------------------------|-----------|---------------|---------|
| ECE RHT & LHT* High Beam | Black Inner Bezel, Hardcoated Lens  | 12-24V DC | Polycarbonate | 0547811 |
| ECE RHT & LHT* High Beam | Chrome Inner Bezel, Hardcoated Lens | 12-24V DC | Polycarbonate | 0545781 |

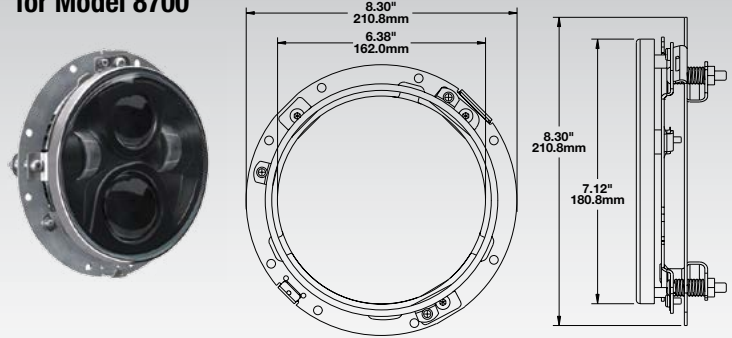
\*ECE versions are not available for sale in the U.S.A.

# Optional Mounting Buckets & Assemblies

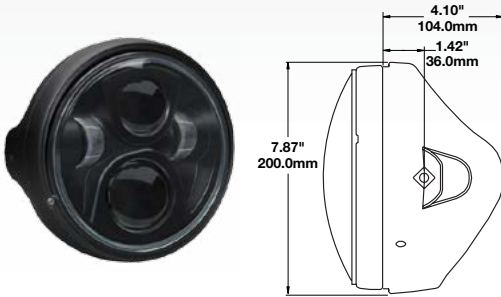
**Chrome Point Mount Bucket for Model 8700**



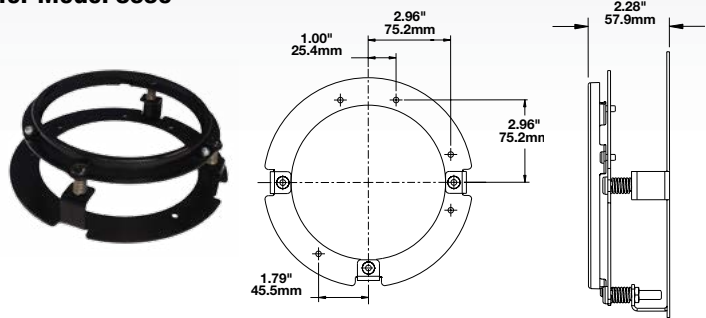
**Ring Kit Mounting Assembly for Model 8700**



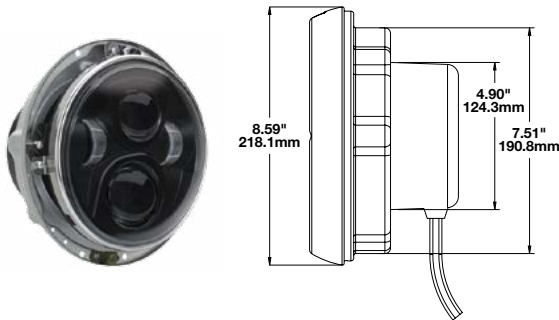
**Side Mount Bucket for Model 8700**



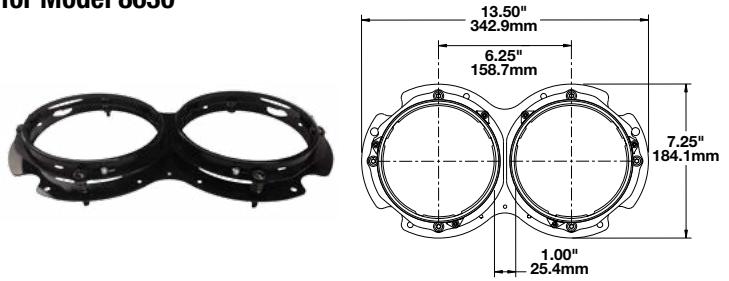
**Single Ring Assembly for Model 8630**



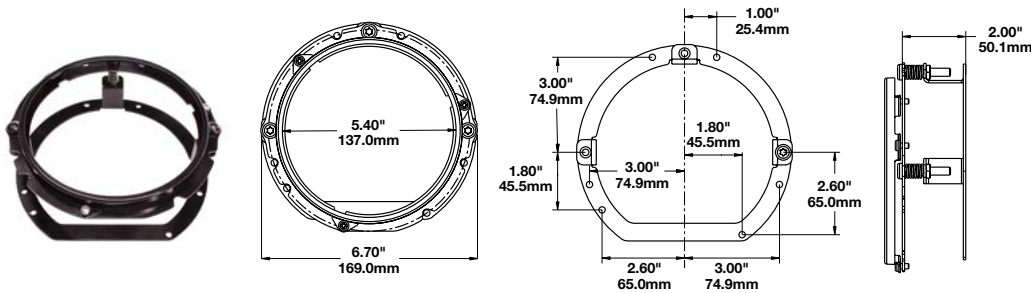
**Panel Mount Bucket for Model 8700**



**Double Ring Assembly for Model 8630**



**Firetruck Ring Kit Mounting Assembly for Model 8630**



**Description**

Chrome Point Mount Bucket Assembly for Model 8700

Side Mount Bucket Assembly for Model 8700

Panel Mount Bucket Assembly for Model 8700

Fire Truck Mounting Assembly for Model 8630

Ring Kit Mounting Assembly for Model 8700 (Required for most motorcycle applications)

Single Ring Kit Mounting Assembly for Model 8630

Double Ring Kit Mounting Assembly for Model 8630

**Part #**

3157021

3157091

3156561

3156351

3156351

8200001

3157751

Worklights

Emergency & Warning

Interior

Signal Lights

Thermal Imaging

Electronics

Heavy Duty Light Bars

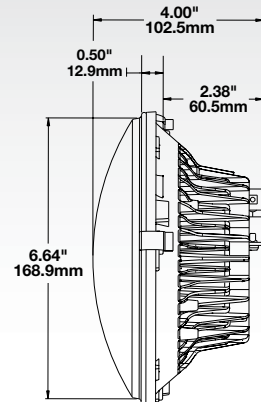
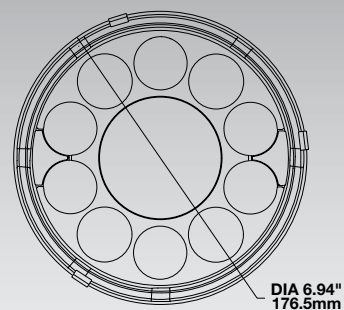
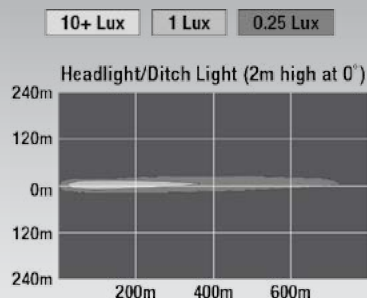
Vehicle Identification

Service Parts

Reference

# Model 8770

## 7" (PAR 56) LED Locomotive Light



**Light Source:** LED

---

**Light Output:** 200,000 Candelas

---

**Input Voltage:** 75V DC

---

**Current Draw:** 0.73 Amps @ 75V DC

---

**Wiring:** Standard Sealed Beam Style Screw Terminals

---

**Standards:** FRA Title 49 CFR 229.125 (a), (b), and (d) (2) (Combined Spec for Headlights & Ditch Lights), Buy America Compliant, Sealed to IP66

---

**Mounting:** Retrofits PAR56 headlights & ditch lights

---

**Special Note:** This product is only intended for use on locomotives and does not meet any on-road requirements

| Function              | Additional Information | Voltage | Lens  | Part #  |
|-----------------------|------------------------|---------|-------|---------|
| Headlight/Ditch Light |                        | 75V DC  | Glass | 0547691 |



# Model 8800

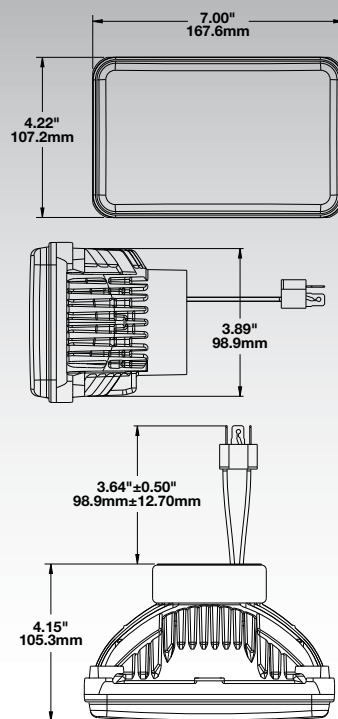
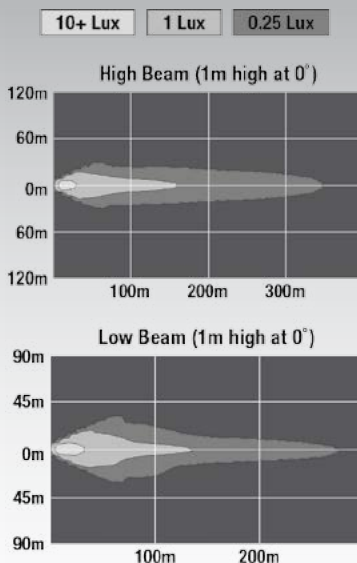
## 4" x 6" LED Low Beam & High Beam Headlights



High Beam  
Pedestal Mount



Low Beam  
Panel Mount



**Light Source:** LED

**Raw Output:** 1,300 Lumens

**Effective Output:** 850 (High Beam)/ 750 (Low Beam) Lumens

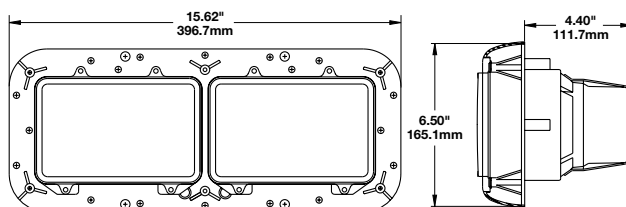
**Input Voltage:** 12-24V DC

**Current Draw:** 3.60 Amps @ 12V DC; 1.50 Amps @ 24V DC

**Standards:** FMVSS 108 (DOT Compliant), CMVSS 108 (Transport Canada Compliant), ECE Reg. 112 (Headlights), Buy America Compliant, Sealed to IP67

**Mounting:** Retrofits 1A1 and 2A1 (4" x 6") sealed beam headlights

Double Bucket  
Mounting Assembly



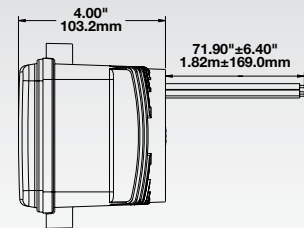
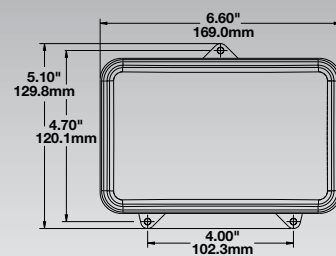
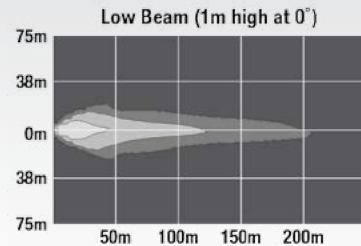
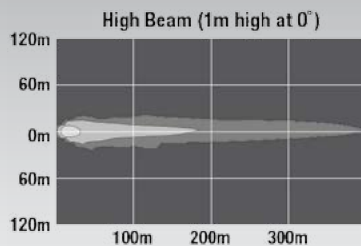
| Function                                      | Additional Information | Voltage   | Lens          | Part #  |
|---|------------------------|-----------|---------------|---------|
| DOT/ECE RHT High Beam                         | Hardcoated Lens        | 12-24V DC | Polycarbonate | 0547071 |
| DOT/ECE RHT Low Beam                          | Hardcoated Lens        | 12-24V DC | Polycarbonate | 0547061 |
| Optional Double Bucket Mounting Assembly - RH |                        |           |               | 3156600 |
| Optional Double Bucket Mounting Assembly - LH |                        |           |               | 3156680 |

# Model 8800 High/Low

## 4" x 6" LED High/Low Beam Headlight



10+ Lux    1 Lux    0.25 Lux



**Light Source:** LED

**Raw Output:** 1,900 Lumens

**Effective Output:** 750 (High Beam)/ 725 (Low Beam) Lumens

**Input Voltage:** 12-24V DC

**Current Draw:** 2.50 Amps @ 12V DC; 1.30 Amps @ 24V DC

**Standards:** FMVSS 108 (DOT Compliant), CMVSS 108 (Transport Canada Compliant), MIL-STD-461 (EMI), SAE J2139 (Signal), SAE J578 (Color Spec), SAE J1455 (Environmental), SAE J575 (Headlights), Buy America Compliant, Sealed to IP67

**Mounting:** This product requires a custom bucket—it was not designed to retrofit standard 4" x 6" sealed beam headlights

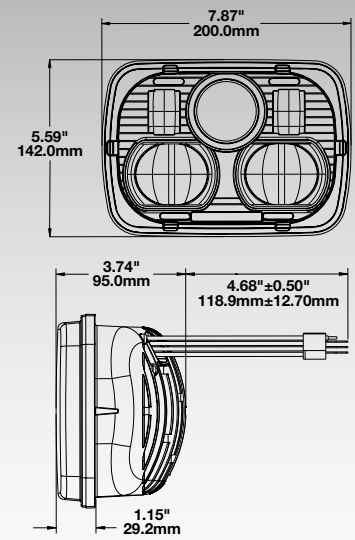
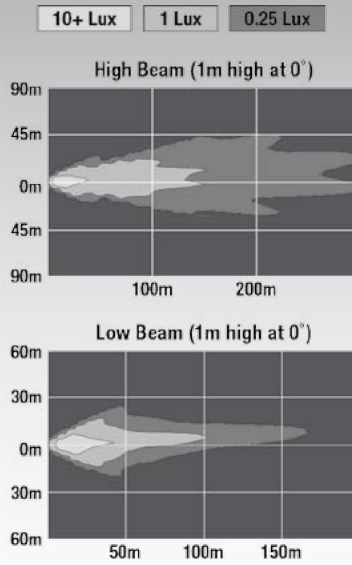
**Special Notes:** Right Hand Traffic (RHT) describes vehicles that drive on the right-hand side of the road. Left Hand Traffic (LHT) describes vehicles that drive on the left-hand side of the road.

| Function               | Additional Information | Voltage   | Lens          | Part #  |
|------------------------|------------------------|-----------|---------------|---------|
| DOT High/Low Beam      | Hardcoated Lens        | 12-24V DC | Polycarbonate | 0547851 |
| ECE LHT* High/Low Beam | Hardcoated Lens        | 12-24V DC | Polycarbonate | 0546241 |
| ECE RHT* High/Low Beam | Hardcoated Lens        | 12-24V DC | Polycarbonate | 0545231 |

\*ECE versions are not available for sale in the U.S.A.

# Model 8900

## 5" x 7" LED High/Low Headlight



**Light Source:** LED

**Raw Output:** 1,770 (High Beam)/ 1,350 (Low Beam) Lumens

**Effective Output:** 850 (High Beam)/ 650 (Low Beam) Lumens

**Input Voltage:** 12-24V DC

**Current Draw:** 4.30 Amps @ 12V DC; 2.20 Amps @ 24V DC

**Standards:** FMVSS 108 (DOT Compliant), CMVSS 108 (Transport Canada Compliant), ECE Reg. 7 (Position & Stop), ECE Reg. 112 (Headlights-Class B-ECE Versions), Buy America Compliant, Sealed to IP67

**Mounting:** Retrofits standard 5" x 7" headlights

**Special Notes:** Right Hand Traffic (RHT) describes vehicles that drive on the right-hand side of the road. Left Hand Traffic (LHT) describes vehicles that drive on the left-hand side of the road.

| Function                                  | Additional Information              | Voltage   | Lens          | Part #  |
|---|-------------------------------------|-----------|---------------|---------|
| DOT High/Low Beam, No Front Position      | Black Inner Bezel, Hardcoated Lens  | 12-24V DC | Polycarbonate | 0548201 |
| DOT High/Low Beam, No Front Position      | Chrome Inner Bezel, Hardcoated Lens | 12-24V DC | Polycarbonate | 0546571 |
| ECE LHT* High/Low Beam, No Front Position | Black Inner Bezel, Hardcoated Lens  | 12-24V DC | Polycarbonate | 0548211 |
| ECE LHT* High/Low Beam w/ Front Position  | Chrome Inner Bezel, Hardcoated Lens | 12-24V DC | Polycarbonate | 0547271 |
| ECE RHT* High/Low Beam, No Front Position | Black Inner Bezel, Hardcoated Lens  | 12-24V DC | Polycarbonate | 0548221 |
| ECE RHT* High/Low Beam w/ Front Position  | Chrome Inner Bezel, Hardcoated Lens | 12-24V DC | Polycarbonate | 0547261 |
| Optional Single Bucket Mounting Assembly  |                                     |           |               | 3157041 |

\*ECE versions are not available for sale in the U.S.A.

# Model 9049 LED Light Bars

Worklights

Emergency & Warning

Interior

Signal Lights

Thermal Imaging

Electronics

Heavy Duty Light Bars

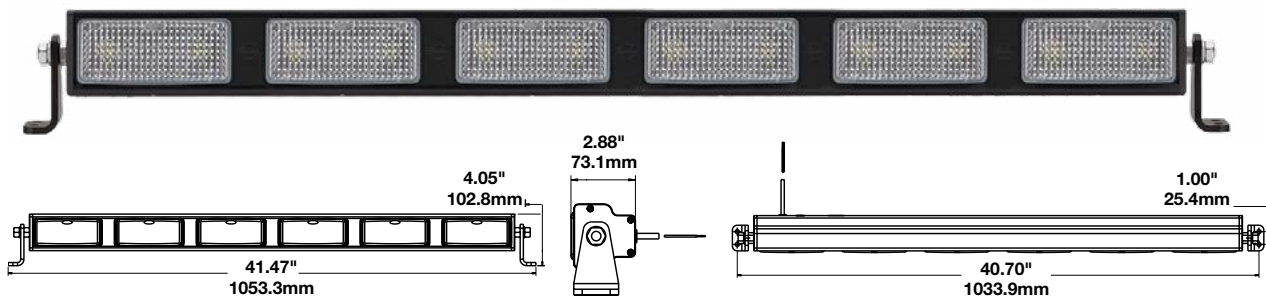
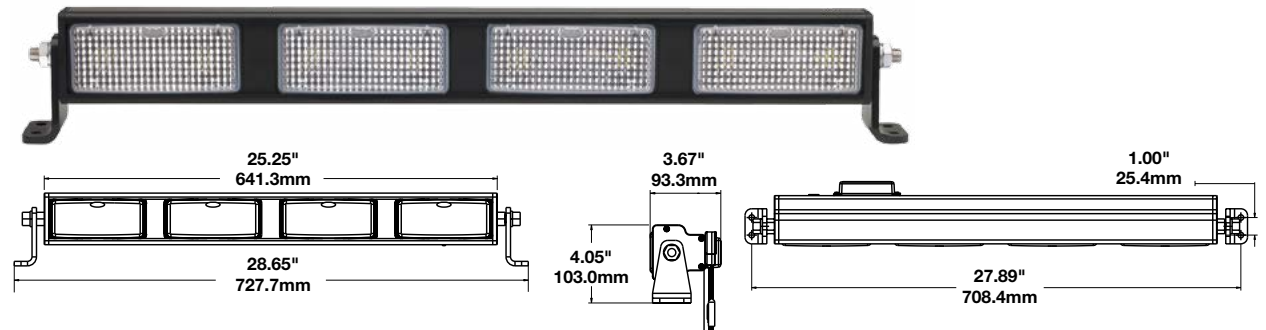
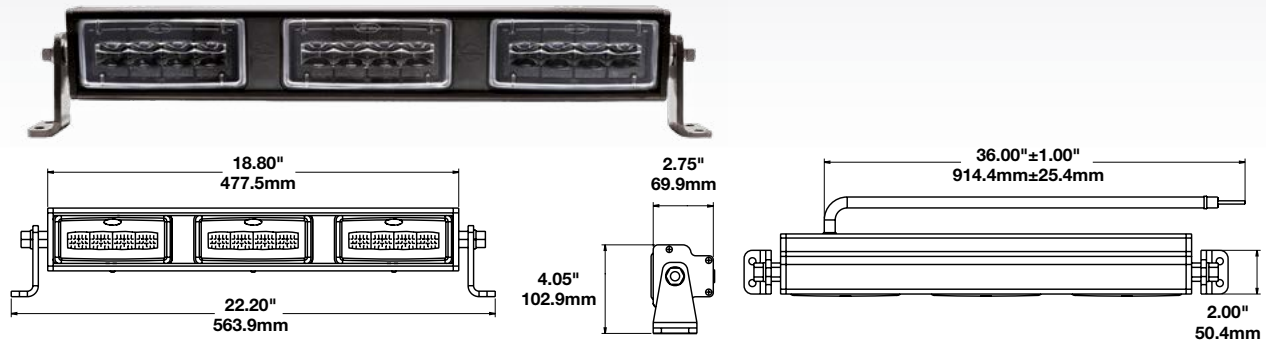
Vehicle Identification

Service Parts

Reference

J.W. Speaker's Model 9049 LED light bars are an ideal choice for off-roading, military, or construction use. The solid-state LEDs are resistant to shock and vibration that cause bulb-based lights to prematurely fail. Additionally, the rugged metal frame provides a level of durability that rivals any light bar on the market. The Model 9049 is available with your choice of 2-, 3-, 4-, or 6-modules. The 3-module version is brand new for 2014 and features a fog beam pattern.

All J.W. Speaker light bars come with a Lifetime Limited Warranty against defects in materials, components, and workmanship. To learn more about our warranty, see page 158.



## Optional Remote Control Configuration

If you don't want to bother with in-cab controls, our 4-module programmable configuration may be the perfect solution for you. This unique version, which is different from our standard 4-module light bar, comes paired with a programmable key fob allowing you to cycle through various combinations of lights—all with the press of a button! One key fob comes standard, however, additional fobs can be ordered at the time you purchase the light bar.



# Model 9049 LED Light Bars



**Light Source:** LED

**Raw Output:**

2,000 Lumens (2-Module); 2,400 Lumens (3-Module);  
4,400 Lumens (4-Module); 6,600 Lumens (6-Module)

**Effective Output:**

1,320 Lumens (2-Module); 1,500 Lumens (3-Module);  
2,640 Lumens (4-Module); 3,960 Lumens (6-Module)

**Input Voltage:** 12V or 24V DC

**Current Draw:**

**2-Module:** 4.00 Amps @ 12V DC; 2.40 Amps @ 24V DC

**3-Module:** 3.60 Amps @ 12V DC

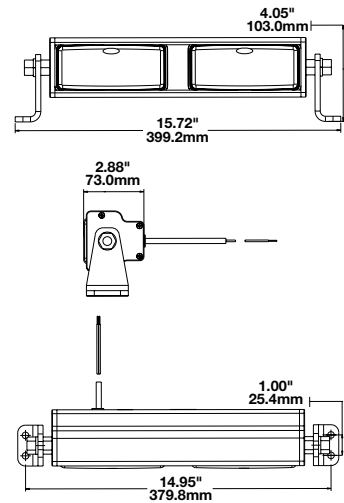
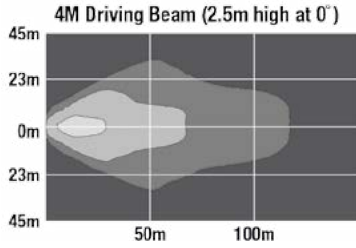
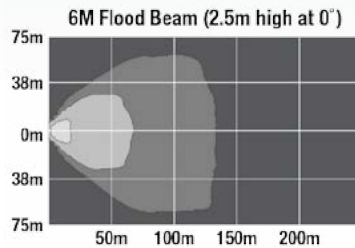
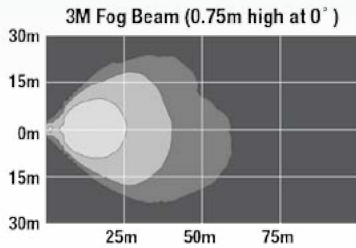
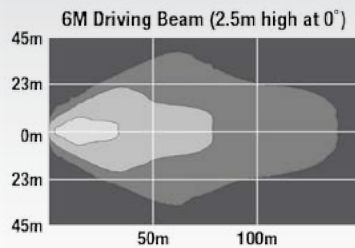
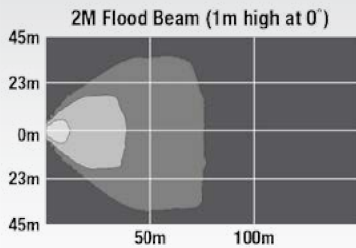
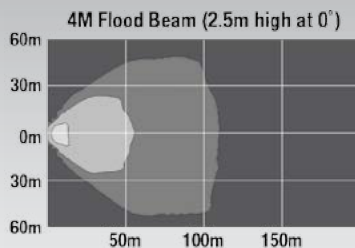
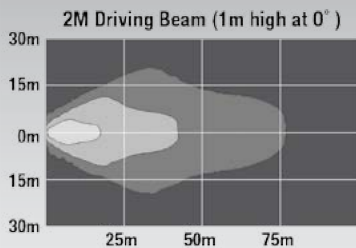
**4-Module:** 8.00 Amps @ 12V DC; 4.80 Amps @ 24V DC

**6-Module:** 12.00 Amps @ 12V DC; 7.20 Amps @ 24V DC

**Standards:** SAE J1113 (Radiated Emissions-Class 21),  
ECE Reg. 10 (Radiated Emissions), Buy America Compliant

**Mounting:** Universal pedestal mount

10+ Lux    1 Lux    0.25 Lux



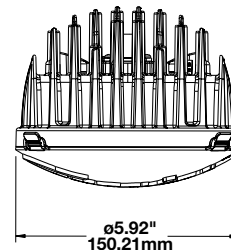
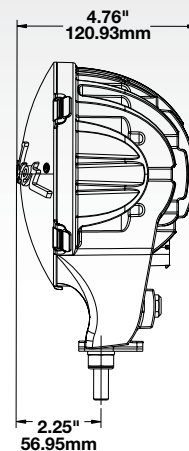
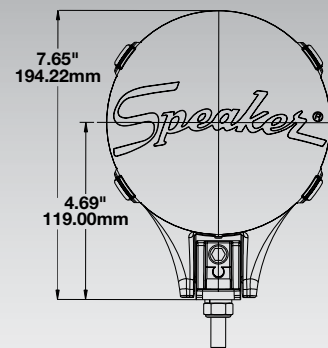
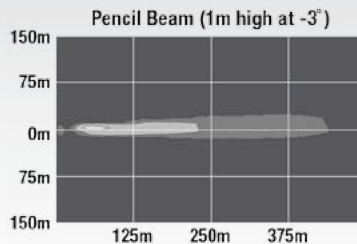
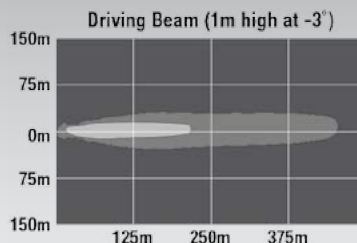
| Function        | Additional Information   | Voltage | Lens          | Part #  |
|-----------------|--|---------|---------------|---------|
| SAE/ECE Driving | 2-Module, No Wireless Functionality, Hardcoated Lens               | 12V DC  | Polycarbonate | 0548461 |
| SAE/ECE Driving | 4-Module, No Wireless Functionality, Hardcoated Lens               | 12V DC  | Polycarbonate | 0546021 |
| SAE/ECE Driving | 6-Module, No Wireless Functionality, Hardcoated Lens               | 12V DC  | Polycarbonate | 0548451 |
| SAE/ECE Flood   | 2-Module, No Wireless Functionality, Hardcoated Lens               | 12V DC  | Polycarbonate | 0546261 |
| SAE/ECE Flood   | 2-Module, No Wireless Functionality, Hardcoated Lens               | 24V DC  | Polycarbonate | 0546281 |
| SAE/ECE Flood   | 4-Module, No Wireless Functionality, Hardcoated Lens               | 12V DC  | Polycarbonate | 0545331 |
| SAE/ECE Flood   | 4-Module, No Wireless Functionality, Hardcoated Lens               | 24V DC  | Polycarbonate | 0546291 |
| SAE/ECE Flood   | 4-Module w/ Wireless Functionality & Key Fob, Hardcoated Lens      | 12V DC  | Polycarbonate | 0545321 |
| SAE/ECE Flood   | 6-Module, No Wireless Functionality, Hardcoated Lens               | 12V DC  | Polycarbonate | 0546271 |
| SAE/ECE Flood   | 6-Module, No Wireless Functionality, Hardcoated Lens               | 24V DC  | Polycarbonate | 0546301 |
| SAE/ECE Fog     | 3-Module Fog Light Bar, No Wireless Functionality, Hardcoated Lens | 12V DC  | Polycarbonate | 0549281 |
| Key Fob         | Required for Wireless Functionality                                |         |               | 0842221 |

# Model TS3000R

## 6" LED Driving Light



10+ Lux    1 Lux    0.25 Lux



**Light Source:** LED

**Light Output:** 60,000 (Driving Beam)/  
117,500 (Pencil Beam) Max Candelas

**Input Voltage:** 12-24V DC

**Current Draw:** 2.80 Amps @ 12V DC; 1.40 Amps @ 24V DC

**Standards:** FMVSS 108 (DOT Compliant), CMVSS 108 (Transport Canada Compliant), ECE Reg. 112 (Headlights-Class B-Driving Beam Version), Buy America Compliant, Sealed to IP67

**Mounting:** Universal pedestal mount

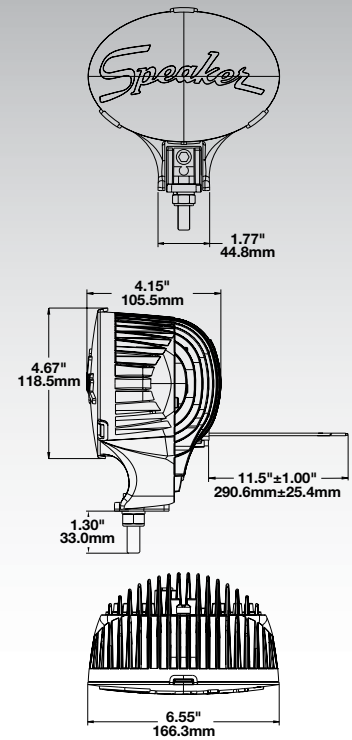
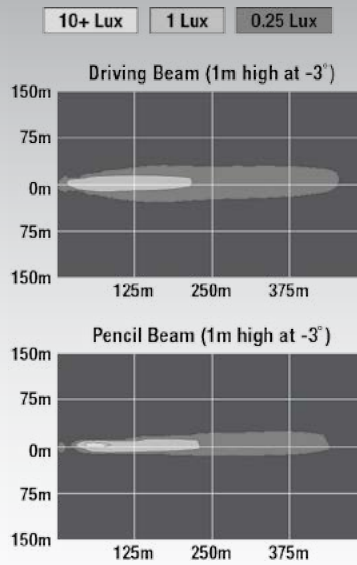
**Special Notes:** Right Hand Traffic (RHT) describes vehicles that drive on the right-hand side of the road. Left Hand Traffic (LHT) describes vehicles that drive on the left-hand side of the road.

| Function                       | Additional Information          | Voltage   | Lens          | Part #  |
|--------------------------------|---------------------------------|-----------|---------------|---------|
| DOT Driving Beam               | Silver Housing                  | 12-24V DC | Glass         | 0546921 |
| DOT Driving Beam               | Black Housing, Hardcoated Lens  | 12-24V DC | Polycarbonate | 0548381 |
| DOT Driving Beam               | Silver Housing, Hardcoated lens | 12-24V DC | Polycarbonate | 0547591 |
| ECE RHT & LHT* Driving Beam    | Black Housing, Hardcoated Lens  | 12-24V DC | Polycarbonate | 0548391 |
| ECE RHT & LHT* Driving Beam    | Silver Housing, Hardcoated Lens | 12-24V DC | Polycarbonate | 0548011 |
| Pencil Beam                    | Black Housing, Hardcoated Lens  | 12-24V DC | Polycarbonate | 0548401 |
| Pencil Beam                    | Silver Housing, Hardcoated Lens | 12-24V DC | Polycarbonate | 0547601 |
| Optional Amber Lens Cover      |                                 |           |               | 5862921 |
| Optional Black Logo Lens Cover |                                 |           |               | 5862931 |
| Optional Blue Lens Cover       |                                 |           |               | 5862911 |
| Optional Clear Lens Cover      |                                 |           |               | 5862901 |

\*ECE versions are not available for sale in the U.S.A.

# Model TS3000V

## 5" x 7" LED Driving Light



**Light Source:** LED

**Light Output:** 60,000 (Driving Beam)/  
117,500 (Pencil Beam) Max Candelas

**Input Voltage:** 12-24V DC

**Current Draw:**

**Driving Beam:** 3.25 Amps @ 12V DC; 1.50 Amps @ 24V DC

**Pencil Beam:** 3.70 Amps @ 12V DC; 1.65 Amps @ 24V DC

**Standards:** FMVSS 108, DOT Compliant CMVSS 108,  
(Transport Canada Compliant), ECE Reg. 112  
(Headlights-Class B-Driving Beam Version), Buy America  
Compliant, Sealed to IP67

**Mounting:** Universal pedestal mount

**Special Notes:** Right Hand Traffic (RHT) describes vehicles  
that drive on the right-hand side of the road. Left Hand  
Traffic (LHT) describes vehicles that drive on the left-hand  
side of the road.

| Function                                | Additional Information          | Voltage   | Lens          | Part #  |
|---|---------------------------------|-----------|---------------|---------|
| DOT Driving Beam                        | Black Housing, Hardcoated Lens  | 12-24V DC | Polycarbonate | 0547711 |
| DOT Driving Beam                        | Silver Housing, Hardcoated Lens | 12-24V DC | Polycarbonate | 0547321 |
| ECE RHT & LHT* Driving Beam             | Silver Housing                  | 12-24V DC | Glass         | 0546321 |
| ECE RHT & LHT* Driving Beam             | Black Housing, Hardcoated Lens  | 12-24V DC | Polycarbonate | 0547721 |
| ECE RHT & LHT* Driving Beam             | Silver Housing, Hardcoated Lens | 12-24V DC | Polycarbonate | 0547521 |
| Pencil Beam                             | Silver Housing                  | 12-24V DC | Glass         | 0546371 |
| Pencil Beam                             | Silver Housing, Hardcoated Lens | 12-24V DC | Polycarbonate | 0547531 |
| Pencil Beam                             | Black Housing, Hardcoated Lens  | 12-24V DC | Polycarbonate | 0547921 |
| Optional Amber Lens Cover               |                                 |           |               | 5862501 |
| Optional Black Logo Lens Cover          |                                 |           |               | 5861391 |
| Optional Blue Lens Cover                |                                 |           |               | 5862511 |
| Optional Clear Lens Cover               |                                 |           |               | 5862361 |
| Optional Inverted Black Logo Lens Cover |                                 |           |               | 5862351 |

\*ECE versions are not available for sale in the U.S.A.

# Worklights

## Portable



Model 60  
Page 44



Model 523  
Portable  
Page 47



Model 523  
Tripod  
Page 50



Model 8475  
Page 86

## High Intensity

(2,000+ Effective Lumens)



Model 523  
Page 48



Model 523 XL  
Page 49



Model 524  
Page 51



Model 526 XL  
Page 52



Model 623  
Page 54



Model 735  
Page 59



Model 735 XL  
Page 60



Model 832  
Page 71



Model 832 XL  
Page 72



Model 7150  
Page 82



Model 7150 XL  
Page 83



Model 7151  
Page 84



Models  
9710/9720  
Page 88

## Medium-High Intensity

(700-1,999 Effective Lumens)



Model 70  
Page 46



Model 660  
Page 56



Model 670 XD  
Page 57



Model 680 XD  
Page 58



Model 736  
Page 61



Model 770 XD  
Page 62



Model 771 XD  
Page 63



Model 776 XD  
Page 65



Model 806  
Page 70



Model 840 XD  
Page 73-75



Model 880 XD  
Page 76



Model 881 XD  
Page 77



Model 6020  
Page 80



Model 6040  
Page 81

## Standard-Medium Intensity

(< 700 Effective Lumens)



Model 775 XD  
Page 64



Model 778  
Page 66



Model 781  
Page 67



Model 783  
Page 68



Model 803  
Page 69



Model 4410  
Page 78



Model 4410 XL  
Page 79



# Why Buy J.W. Speaker Worklights?

## Wide Selection

There's never been a better time to improve visibility and increase safety! J.W. Speaker's broad range of LED worklights provides you with a wide selection of high-performance lighting upgrades that spans a variety of different shapes and sizes. Inside this catalog, you'll find everything from portable handheld units to high-output scene lights.

## Superior Visibility

Many lighting companies focus on maximizing light output when creating a worklight. While light output is essential, you should not underestimate the importance of an optimized beam pattern. J.W. Speaker worklights are engineered to provide maximized light output and our beam patterns are specifically designed to meet the needs and challenges of our customers.

## Extreme Durability

We understand just how ruthless your work environment can be, which is why we've designed our LED worklights to be extremely durable. We put them through an extensive series of tests to ensure that they continue to perform under the most unforgiving conditions; our XD Series has even survived a number of torture tests that you can watch online (see next page for details). You can count on J.W. Speaker LED worklights to meet the demands of your harsh work environment—it's what they're made for.

## Unmatched Longevity

Our LED worklights are built to last 300+ times longer than incandescent, 50+ times longer than halogen, and 20+ times longer than HID-based worklights. To back up this claim, all of our LED worklights (unless otherwise noted) come with a Lifetime Limited Warranty which you can read about on page 158.



# The XD Series LED Worklights



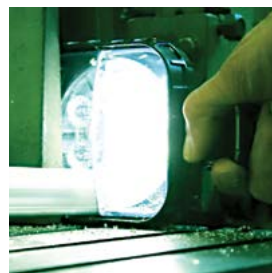
J.W. Speaker's new XD Series represents an innovation in LED worklight technology. The perfect marriage of form and function, the XD Series features a proprietary housing which enhances performance, simplifies installation, and increases durability.

The XD Series is characterized by a unique, thermally-conductive polycarbonate housing that's been specifically designed to maximize the performance of the LEDs. XD Series LED worklights are compact, lightweight, corrosion- and impact-resistant, making them the perfect choice for rough and rugged applications.

## Not Convinced?

Not convinced that a polycarbonate LED worklight is durable enough for your application?

Scan the QR code below, or go to our YouTube channel (JWSpeakerCorporation), and watch our XD Series Torture Test video and decide for yourself.



Look for this logo to know that the product you're looking at is part of the XD Series.

# The XL Series LED Worklights



J.W. Speaker's XL Series is an extra heavy duty collection of LED worklights that were developed specifically for extreme industrial conditions. Aside from their uniform yellow housing, each member of the XL Series is fully sealed to comply with IP69K for high pressure washing and other harsh environmental factors.

## What is IP69K?

An IP69K rating indicates that the product has passed testing for high-pressure, high-temperature wash-down applications. Such enclosures must not only be dust tight (IP6\_), but also able to withstand high-pressure and steam cleaning.

To pass the test, the light sits on a turntable that rotates once every 12 seconds (5rpm), while a spray nozzle that is fed with 80°C water at 8–10MPa (80–100bar) and a flow rate of 14–16L/min is held 10–15 cm from the tested light at angles of 0°, 30°, 60° and 90° for 30 seconds each. This test ensuring that every angle, nook, and cranny of the XL Series lights are completely sealed and protected.



**When you see this logo, it indicates that the product is part of the XL series, and you know it's tough.**

# Model 60

## Portable LED Scene Light System



### Powerful Performance

The bank of 30 high intensity LEDs on the Model 60 delivers a massive 3,000 Raw Lumens which is designed to provide a bright, white light to illuminate your work area. The Model 60 has five different brightness levels and a unique 3-stage optical system which enables you to adjust from full flood to full spot beam.

### Positive Locking Head Unit

The ratcheting head unit clamp maintains the head unit's orientation, even in high-vibration applications.

### Compact Coil Cord

The heavy duty coil cord extends the full height of the lamp mast (6ft / 1.8m). When the light head is locked in the down position the coil cord retracts down to just 16 inches (400mm).

### Extendable Mast

Four re-enforced fiberglass mast sections push and lock into each other to form a strong and stable support for the light head. When not in use, they can be stored inside the base of the unit.

### Durable Outer Housing & Internal Steel Chassis

The Model 60 is designed to withstand the rough conditions of worksites and trade environments. An internal steel chassis provides superior strength and rigidity.

### Waterproof Power Outlet

The power outlets on the Model 60 are waterproof, making this portable scene light fully functional even in heavy rain. Additionally, the plugs lock on to prevent accidental disconnection.

### Integrated Charging Port

The charging system monitors vehicle "on" status to prevent discharging of vehicle battery and ambient temperature to optimize charging for maximum battery performance.

### Long Battery Life

The internal battery lasts for 8 hours at 100% power, 16 hours at 50% power, 33 hours at 25% power, and 240+ hours at 8% power (flash mode).

### Short Charge Time

A full recharge only takes 4 hours using the built-in vehicle charger, or 6 hours using the optional AC charger.

### Integrated Tripod Stabilizer Legs

The Model 60 has extendable integrated tripod stabilizer legs that fold away when not in use. The use of these stabilizers is optional, giving you added stability when needed.

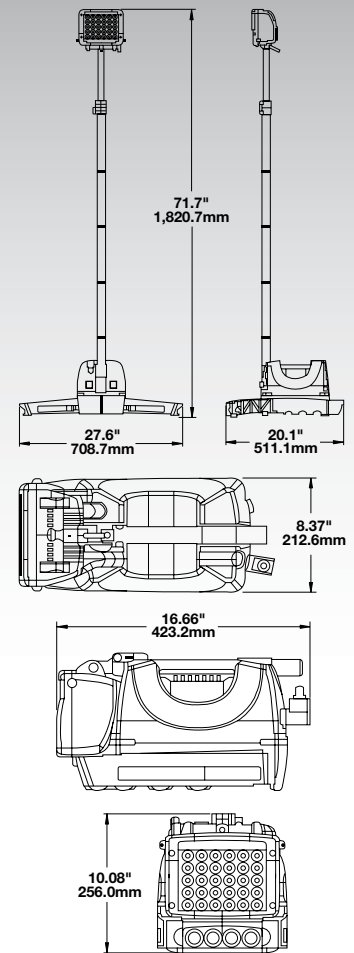
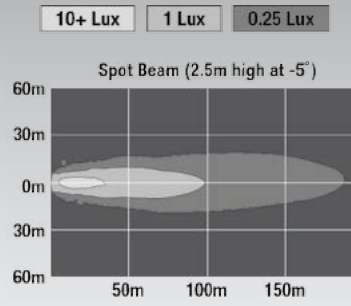
### Optional Remote Configuration

The Model 60 is also available in a remote control configuration. The compact, lightweight remote is perfect for pockets and overalls, giving you easy access to lighting modes, brightness, and power. The remote control allows for multiple units to communicate between each other. The signal from the remote is relayed from one unit to the next, allowing you to control multiple units across long distances.

Note: Remote control only works with remote-enabled Model 60 units.

# Model 60

## Portable LED Scene Light System



- Light Source:** LED

---

- Raw Output:** 3,600 Lumens

---

- Effective Output:** 1,700 Lumens

---

- Input Voltage:** 12V AC

---

- Weight:** 26 lbs

---

- Standards:** CE Recognized, Sealed to IP54

---

- Special Note:** This product is manufactured in Europe and comes with a 2-year limited warranty

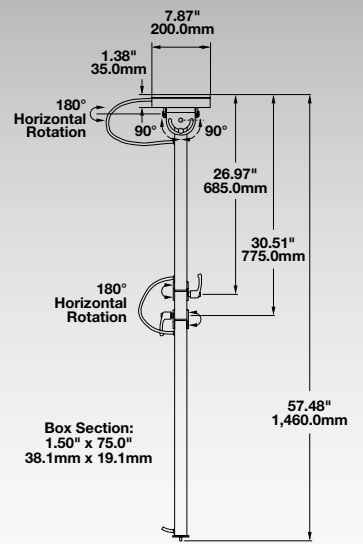
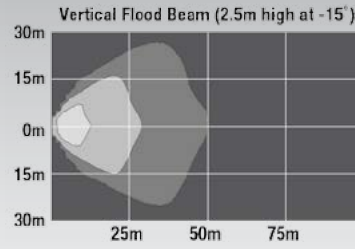
| Pattern | Additional Information                  | Voltage         | Lens    | Part #  |
|---------|---|-----------------|---------|---------|
| Flood   | Integrated DC Charger Included          | Battery Powered | Acrylic | 0547141 |
| Flood   | Integrated DC Charger & Remote Included | Battery Powered | Acrylic | 0547171 |
|         | Wall Charger for Model 60               | 120-240V AC     |         | 6600651 |

# Model 70

## Loading Bay Arm with LED Worklight



10+ Lux    1 Lux    0.25 Lux



- Light Source:** LED

---

- Raw Output:** 2,700 Lumens

---

- Effective Output:** 1,400 Lumens

---

- Input Voltage:** 120V AC

---

- Current Draw:** 2.95 @ 12V DC

---

- Standards:** UL Recognized, CE Recognized, RoHS (Arm Only), Sealed to IP67 (Light Only)

---

- Mounting:** Wall mount

---

- Special Note:** This product is manufactured in Europe and comes with a 2-year limited warranty

| Pattern        | Additional Information | Voltage | Lens          | Part #  |
|----------------|------------------------|---------|---------------|---------|
| Vertical Flood |                        | 12V DC  | Polycarbonate | 1705691 |

# Model 523 Portable

## 8" x 9" Portable LED Scene Light



**Light Source:** LED

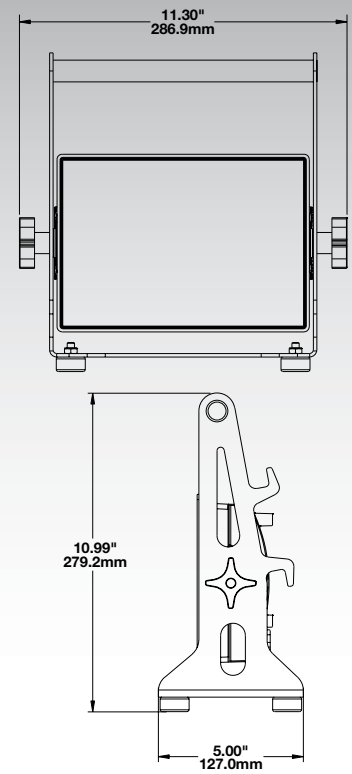
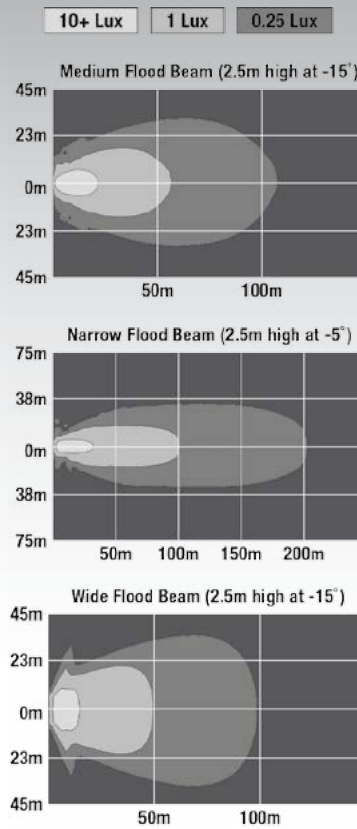
**Raw Output:** 8,100 Lumens

**Effective Output:** 3,900 Lumens

**Input Voltage:** 12V DC or 120V AC

**Current Draw:** 8.00 Amps @ 12V DC; 0.60 Amps @ 120V AC

**Standards:** Buy America Compliant, Sealed to IP67



| Pattern      | Additional Information   | Voltage | Lens          | Part #  |
|--------------|--|---------|---------------|---------|
| Medium Flood | Rubber Feet, No Carrying Case  | 120V AC | Polycarbonate | 0545531 |
| Narrow Flood | Rubber Feet, No Carrying Case  | 120V AC | Polycarbonate | 0545521 |
| Wide Flood   | Magnetic Scene Light Kit Includes: Magnetic Feet, 10m Vehicle Charging Cord, and Carrying Case | 12V DC  | Polycarbonate | 0546251 |
| Wide Flood   | Rubber Feet, No Carrying Case  | 120V AC | Polycarbonate | 0545451 |

Forward Lighting

Worklights

Emergency & Warning

Interior

Signal Lights

Thermal Imaging

Electronics

Heavy Duty Light Bars

Vehicle Identification

Service Parts

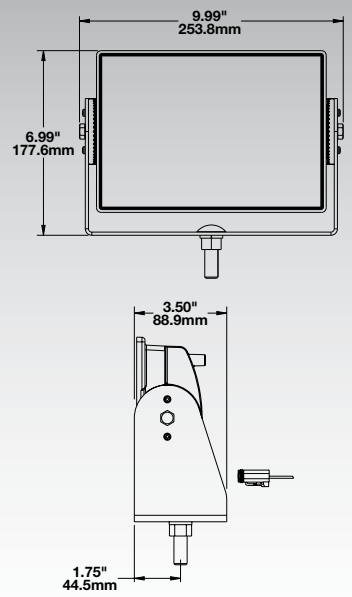
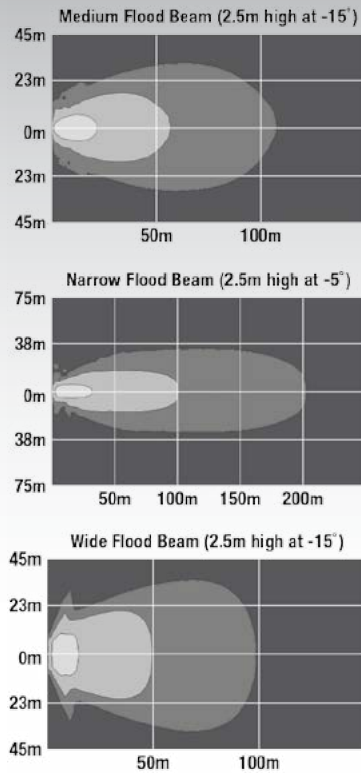
Reference

# Model 523

## 8" x 9" LED Side Mount Scene Light



10+ Lux    1 Lux    0.25 Lux



- Light Source:** LED

---

- Raw Output:** 8,100 Lumens

---

- Effective Output:** 3,900 Lumens

---

- Input Voltage:** 12V or 24V DC; 120V or 240V AC

---

- Current Draw:** 7.50 Amps @ 12V DC; 4.00 Amps @ 24V DC; 0.60 Amps @ 120V AC; 0.60 Amps @ 240V AC

---

- Mating Connector:** 2-Pin Deutsch Weather-Proof Plug (DT06-2S)

---

- Standards:** Buy America Compliant, Sealed to IP67

---

- Mounting:** Universal pedestal mount

| Pattern      | Additional Information | Voltage | Lens  | Part #  |
|--------------|------------------------|---------|-------|---------|
| Medium Flood |                        | 12V DC  | Glass | 0544651 |
| Medium Flood |                        | 24V DC  | Glass | 0544661 |
| Medium Flood |                        | 120V AC | Glass | 0544671 |
| Medium Flood |                        | 240V AC | Glass | 0546811 |
| Narrow Flood |                        | 12V DC  | Glass | 0544551 |
| Narrow Flood |                        | 24V DC  | Glass | 0544561 |
| Narrow Flood |                        | 120V AC | Glass | 0544571 |
| Narrow Flood |                        | 240V AC | Glass | 0546801 |
| Wide Flood   |                        | 12V DC  | Glass | 0543841 |
| Wide Flood   |                        | 24V DC  | Glass | 0543871 |
| Wide Flood   |                        | 120V AC | Glass | 0543761 |
| Wide Flood   |                        | 240V AC | Glass | 0546821 |



# Model 523 XL

## 8" x 9" LED Side Mount Scene Light



**XL**  
SERIES

- Light Source:** LED

---

- Raw Output:** 12,200 Lumens

---

- Effective Output:** 8,000 Lumens

---

- Input Voltage:** 12V or 24V DC

---

- Current Draw:** 11.00 Amps @ 12V DC; 5.00 Amps @ 24V DC

---

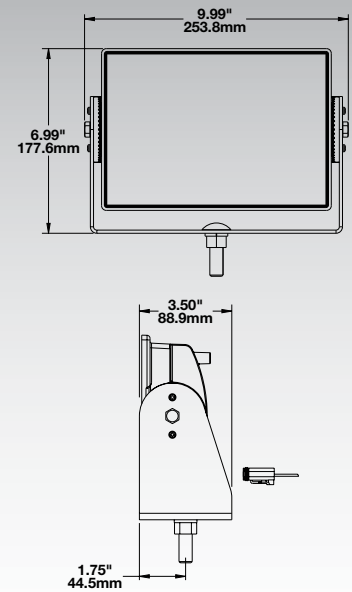
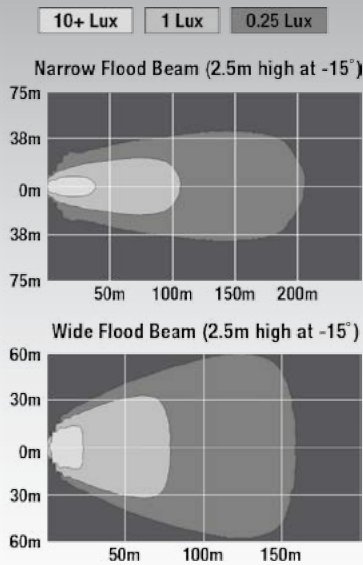
- Mating Connector:** 2-Pin Deutsch Weather-Proof Plug (DT06-2S)

---

- Standards:** Buy America Compliant, Sealed to IP69K

---

- Mounting:** Universal pedestal mount



- Forward Lighting
- Worklights
- Emergency & Warning
- Interior
- Signal Lights
- Thermal Imaging
- Electronics
- Heavy Duty Light Bars
- Vehicle Identification
- Service Parts
- Reference

| Pattern      | Additional Information | Voltage   | Lens  | Part #  |
|--------------|------------------------|-----------|-------|---------|
| Narrow Flood |                        | 12-24V DC | Glass | 0549641 |
| Wide Flood   |                        | 12-24V DC | Glass | 0549631 |

# Model 523 Tripod

## 8"x 9" LED Scene Light Kit with Tripod



- Light Source:** LED

---

- Raw Output:** 8,100 Lumens

---

- Effective Output:** 3,900 Lumens

---

- Input Voltage:** 120V AC

---

- Current Draw:** 0.60 Amps @ 120V AC

---

- Standards:** Buy America Compliant, Sealed to IP67

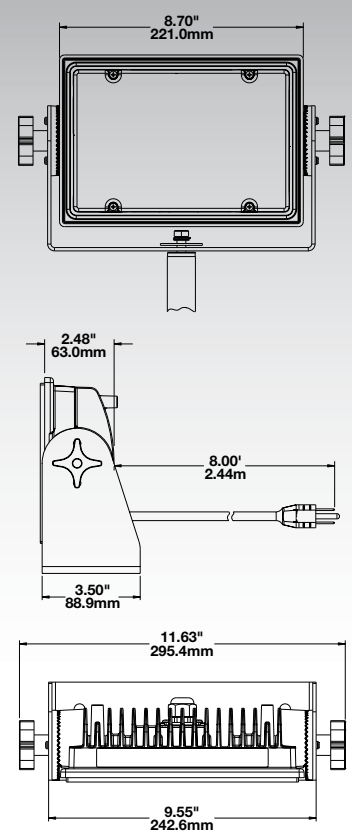
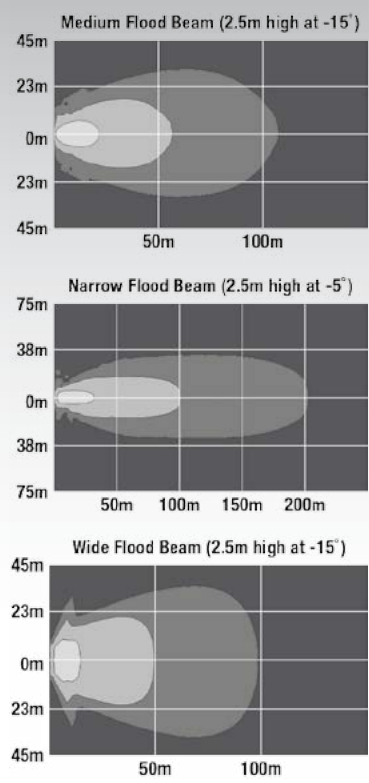
---

- Mounting:** Tripod mount

---

- Special Notes:** Tripod is 32" retracted, and extends to 30" or 70" tall. LED scene light comes with a Lifetime Limited Warranty. The tripod comes with a 1-year limited warranty.

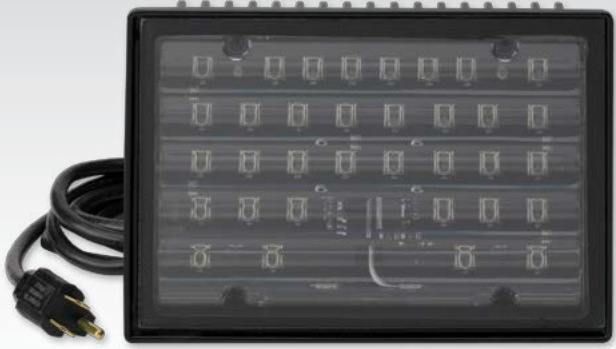
10+ Lux    1 Lux    0.25 Lux



| Pattern    | Additional Information | Voltage | Lens          | Part #  |
|------------|------------------------|---------|---------------|---------|
| Wide Flood |                        | 120V AC | Polycarbonate | 0544021 |

# Model 524

## 8" x 9" LED Panel Mount Scene Light



**Light Source:** LED

**Raw Output:** 8,100 Lumens

**Effective Output:** 3,900 Lumens

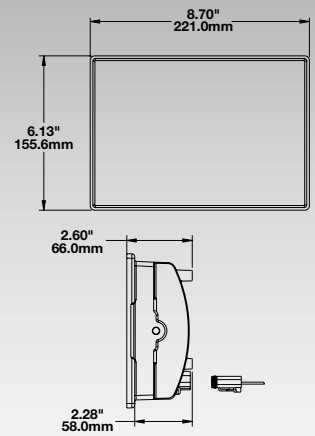
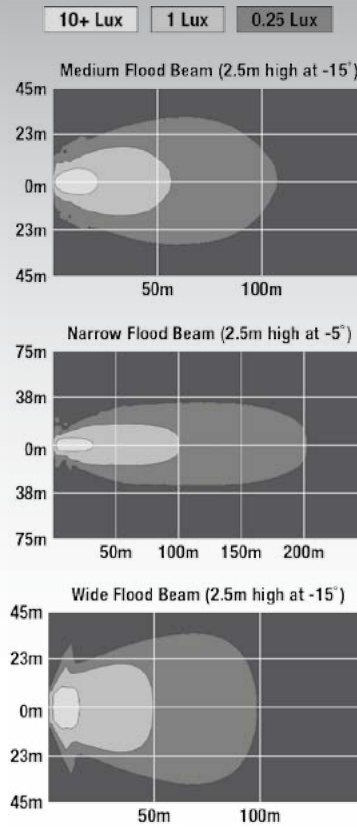
**Input Voltage:** 12V or 24V DC

**Current Draw:** 8.00 Amps @ 12V DC; 4.00 Amps @ 24V DC

**Mating Connector:** 2-Pin Deutsch Weather-Proof Plug (DT06-2S)

**Standards:** ETL Conformance to UL 2108, ETL Conformance to CSA C22 No. 250.0, Buy America Compliant, Sealed to IP67

**Mounting:** Panel mount



| Pattern    | Additional Information | Voltage | Lens  | Part #  |
|------------|------------------------|---------|-------|---------|
| Wide Flood |                        | 12V DC  | Glass | 0543851 |
| Wide Flood |                        | 24V DC  | Glass | 0543881 |

Forward Lighting

Worklights

Emergency & Warning

Interior

Signal Lights

Thermal Imaging

Electronics

Heavy Duty Light Bars

Vehicle Identification

Service Parts

Reference

# Model 526 XL

## 6" x 6" LED Worklight



J.W. Speaker's new Model 526 XL was designed as a lighting upgrade for mining haul trucks. It is available in four different beam patterns—flood, trapezoid, spot, or the new Anti-Glare beam.

The haul truck low beam version of the Model 526 XL was designed to address some of the challenges experienced by mining haul truck drivers. Conventional mining haul truck lights can blind oncoming vehicles (Diagram 1). In an attempt to remedy this, drivers often angle these lights downwards, impairing their effectiveness (Diagram 2). The Model 526 XL haul Anti-Glare beam pattern has been engineered to maximize visibility without blinding oncoming vehicles (Diagram 3).



**Diagram 1**  
(Traditional Lights)



**Diagram 2**  
(Traditional Lights Angled Down)



**Diagram 3**  
(J.W. Speaker Anti-Glare Beam)

The Model 526 XL is sealed to IP69K, and is built to withstand the harsh conditions of mine sites. To back up this claim, it is covered by our Lifetime Limited Warranty, which you can read about on page 158.

# Model 526 XL

## 6" x 6" LED Worklight



Flood Beam



Trapezoid Beam

**XL**  
SERIES

**Light Source:** LED

**Raw Output:** 9,000 Lumens

**Effective Output:** 6,800 (Spot)/ 5,500 (Low Beam) Lumens

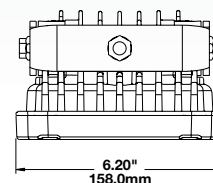
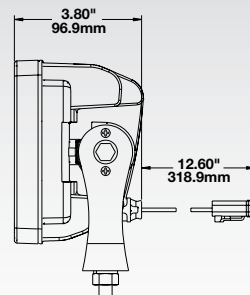
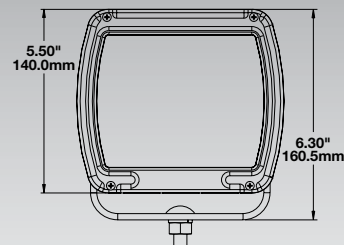
**Input Voltage:** 12-24V DC

**Current Draw:** 9.00 Amps @ 12V DC; 5.00 Amps @ 24V DC

**Mating Connector:** 2-Pin Deutsch Weather-Proof Plug (DT06-2S)

**Standards:** Buy America Compliant, Sealed to IP69K

**Mounting:** Universal pedestal mount



| Pattern    | Additional Information | Voltage   | Lens          | Part #  |
|------------|------------------------|-----------|---------------|---------|
| Flood      |                        | 12-24V DC | Glass         | 1300061 |
| Flood      |                        | 12-24V DC | Polycarbonate | 1300201 |
| Anti-Glare |                        | 12-24V DC | Glass         | 1300051 |
| Anti-Glare |                        | 12-24V DC | Polycarbonate | 1300191 |
| Spot       |                        | 12-24V DC | Glass         | 1300081 |
| Spot       |                        | 12-24V DC | Polycarbonate | 1300221 |
| Trap       |                        | 12-24V DC | Glass         | 1300071 |
| Trap       |                        | 12-24V DC | Polycarbonate | 1300211 |

# Model 623

## 15" x 8" LED Scene Light



When you're looking for the most illumination possible, look no further than the Model 623. Boasting a massive 40,000 Raw (20,000 Effective) Lumens of bright, white light, the Model 623 high-output LED scene light is J.W. Speaker's most powerful product yet.

The Model 623 is available in three different beam patterns; narrow, medium, and wide flood. It is perfect for a wide range of uses, including mining equipment, light towers, and any application for which you need a vast amount of light. Unlike traditional bulb-based high-output scene lights, the Model 623 features energy-efficient LEDs that remain cool to the touch.

The Model 623 is built to withstand even the most rugged applications. It features a durable die-cast aluminum housing that is sealed to IP67, a stainless steel bracket that resists rust and corrosion, a heavy duty glass lens that stands up to harsh environmental conditions, and state-of-the-art LEDs that are guaranteed to last longer and use less energy than bulb-based lighting. To back up these claims, the Model 623 is covered by our Lifetime Limited Warranty, which you can learn more about on page 158.

# Model 623

## 15" x 8" LED Scene Light



**Light Source:** LED

**Raw Output:** 40,000 Lumens

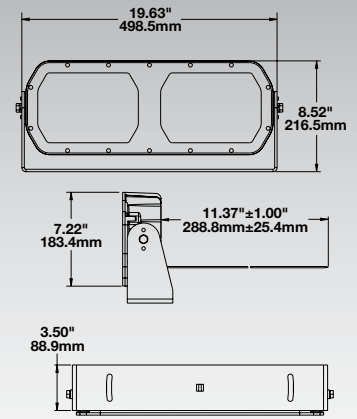
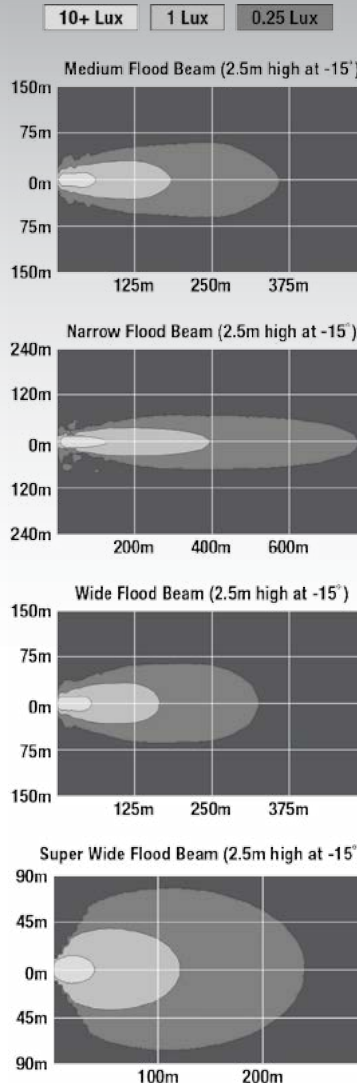
**Effective Output:** 20,000 Lumens

**Input Voltage:** 24-48V DC or 110-240V AC

**Current Draw:** 10.00 Amps @ 24V DC; 5.00 Amps @ 48V DC; 2.50 Amps @ 120V AC; 1.25 Amps @ 240V AC

**Standards:** UL Recognized (80-270V AC versions only), Buy America Compliant, Sealed to IP67

**Mounting:** Universal pedestal mount



| Pattern          | Additional Information | Voltage     | Lens  | Part #  |
|------------------|------------------------|-------------|-------|---------|
| Medium Flood     |                        | 24-48V DC   | Glass | 0546681 |
| Medium Flood     |                        | 110-240V AC | Glass | 0546711 |
| Narrow Flood     |                        | 24-48V DC   | Glass | 0546671 |
| Narrow Flood     |                        | 110-240V AC | Glass | 0546701 |
| Super Wide Flood |                        | 24-48V DC   | Glass | 0549301 |
| Super Wide Flood |                        | 110-240V AC | Glass | 0549311 |
| Wide Flood       |                        | 24-48V DC   | Glass | 0546691 |
| Wide Flood       |                        | 110-240V AC | Glass | 0546721 |

# Model 660

## 3" x 7" LED Worklight



Universal Pedestal Mount



Panel Mount

- Light Source:** LED

---

- Raw Output:** 2,000 Lumens

---

- Effective Output:** 1,600 Lumens

---

- Input Voltage:** 12-24V DC

---

- Current Draw:** 2.00 Amps @ 12V DC; 1.00 Amps @ 24V DC

---

- Mating Connector:** Packard (#12059183)

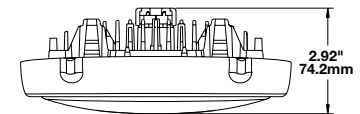
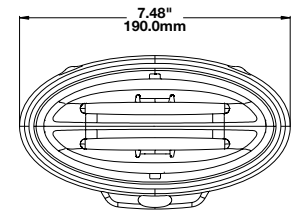
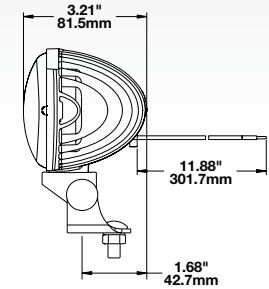
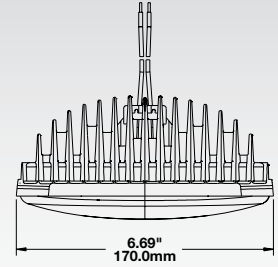
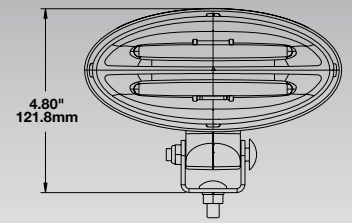
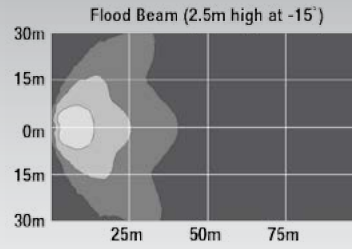
---

- Standards:** Buy America Compliant, Sealed to IP67

---

- Mounting:** Panel or universal pedestal mount

10+ Lux    1 Lux    0.25 Lux



| Pattern | Additional Information | Voltage   | Lens  | Part #  |
|---------|------------------------|-----------|-------|---------|
| Flood   | Panel Mount            | 12-24V DC | Glass | 0548521 |
| Flood   | Pedestal Mount         | 12-24V DC | Glass | 0548511 |



# Model 670 XD

## 4.5" (PAR36) LED Worklight



**XD**  
SERIES

**Light Source:** LED

**Raw Output:** 1,080 Lumens

**Effective Output:** 780 Lumens

**Input Voltage:** 12-24V or 12-110V DC

**Current Draw:**

**12-24V Version:** 1.30 Amps @ 12V DC; 0.60 Amps @ 24V DC

**12-110V Version:** 1.30 Amps @ 12V DC; 0.60 Amps @ 24V DC;

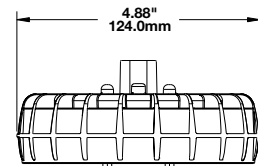
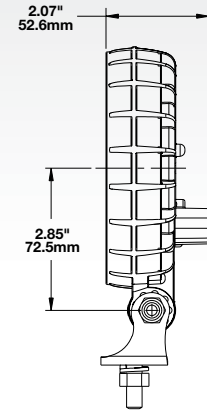
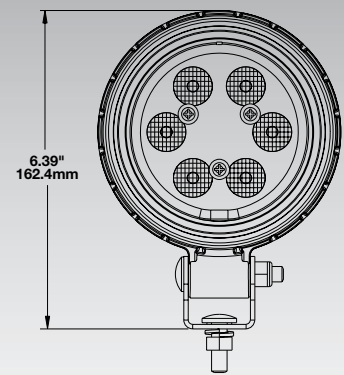
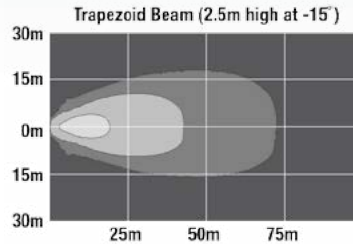
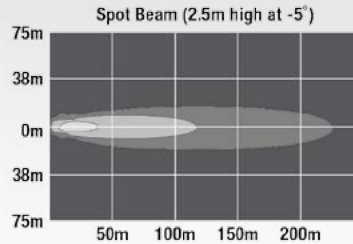
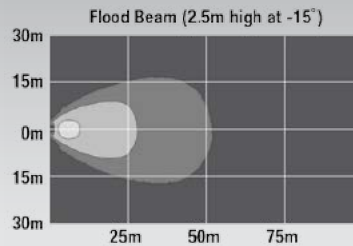
0.20 Amps @ 110V DC

**Mating Connector:** 2-Pin Deutsch Weather-Proof Plug (DT06-2S)

**Standards:** SAE J1113 (Radiated Emissions - 13 up to 8V contact/15KV air discharge), SAE J1455 (Environmental - 4.13.1.1.1 steady state jump starts), ECE Reg. 10 (Radiated Emissions), CE CISPR (12/22), UL Listed, EN55022, EN12895, Buy America Compliant, Sealed to IP69K

**Mounting:** Universal pedestal mount

10+ Lux    1 Lux    0.25 Lux



| Pattern | Additional Information                     | Voltage    | Lens          | Part #  |
|---------|--|------------|---------------|---------|
| Flood   |  | 12-24V DC  | Polycarbonate | 1403241 |
| Flood   |  | 12-110V DC | Polycarbonate | 1403291 |
| Spot    |  | 12-24V DC  | Polycarbonate | 1403261 |
| Spot    |  | 12-110V DC | Polycarbonate | 1403281 |
| Trap    |  | 12-24V DC  | Polycarbonate | 1403251 |
| Trap    |  | 12-110V DC | Polycarbonate | 1403271 |
|         | Replacement Mounting Kit – Black           |            |               | 8200121 |
|         | Replacement Mounting Kit – Stainless Steel |            |               | 8200101 |

Forward Lighting

Worklights

Emergency & Warning

Interior

Signal Lights

Thermal Imaging

Electronics

Heavy Duty Light Bars

Vehicle Identification

Service Parts

Reference

# Model 680 XD

## 5.75" (PAR46) LED Worklight



**XD**  
SERIES

**Light Source:** LED

**Raw Output:** 1,700 Lumens

**Effective Output:** 1,060 Lumens

**Input Voltage:** 12-24V DC

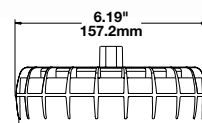
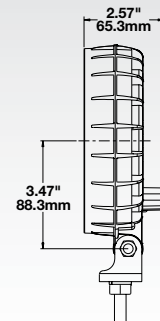
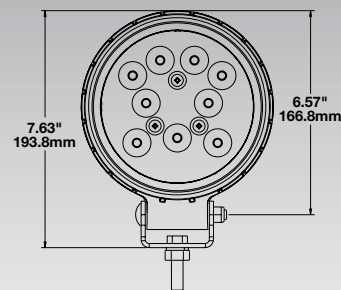
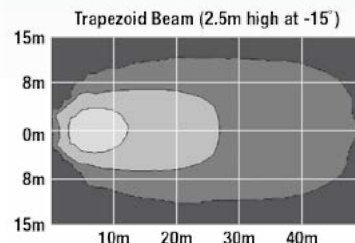
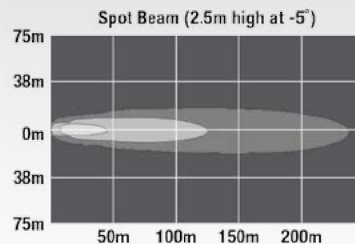
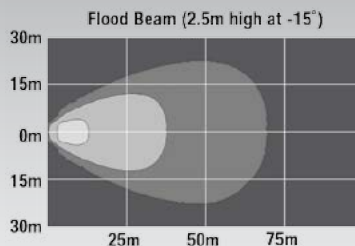
**Current Draw:** 2.00 Amps @ 12V DC; 1.00 Amps @ 24V DC

**Mating Connector:** 2-Pin Deutsch Weather-Proof Plug (DT06-2S)

**Standards:** SAE J1113 (Radiated Emissions), SAE J1455 (Environmental - 4.13.1.1.1 steady state jump starts), ECE Reg. 10 (Radiated Emissions), CE CISPR (12/22), Buy America Compliant, Sealed to IP69K

**Mounting:** Universal pedestal mount

10+ Lux    1 Lux    0.25 Lux



| Pattern | Additional Information                     | Voltage   | Lens          | Part #  |
|---------|--|-----------|---------------|---------|
| Flood   |  | 12-24V DC | Polycarbonate | 1501641 |
| Spot    |  | 12-24V DC | Polycarbonate | 1501661 |
| Trap    |  | 12-24V DC | Polycarbonate | 1501651 |
|         | Replacement Mounting Kit – Black           |           |               | 8200121 |
|         | Replacement Mounting Kit – Stainless Steel |           |               | 8200101 |

# Model 735

## 3" x 5" LED Worklight



**Light Source:** LED

**Raw Output:** 2,700 Lumens

**Effective Output:** 1,400 Lumens

**Input Voltage:** 12V, 24V or 12-32V DC

**Current Draw:**

**12V DC Version:** 3.70 Amps @ 12V DC

**24V DC Version:** 1.70 Amps @ 24V DC

**12-24V DC Version:** 3.00 Amps @ 12V DC; 1.50 Amps @ 24V DC

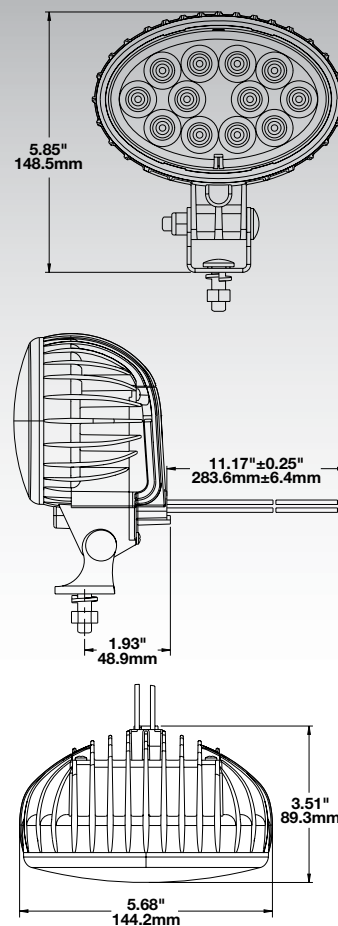
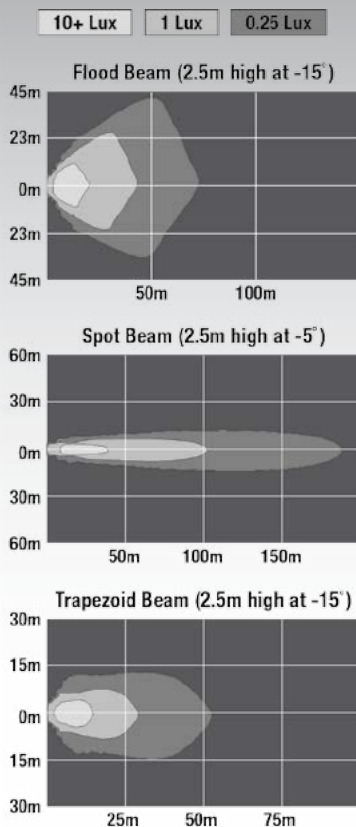
**Mating Connector:** 2-Pin Deutsch Weather-Proof Plug (DT06-2S)

**Standards:** SAE J575 (Worklights), SAE J1113 (Radiated

Emissions), SAE J1455 (Environmental),

Buy America Compliant, Sealed to IP67

**Mounting:** Universal pedestal mount



| Pattern | Additional Information | Voltage   | Lens          | Part #  |
|---------|------------------------|-----------|---------------|---------|
| Flood   |                        | 12V DC    | Glass         | 1704611 |
| Flood   |                        | 12-32V DC | Polycarbonate | 1705471 |
| Flood   |                        | 24V DC    | Glass         | 1704641 |
| Spot    |                        | 12V DC    | Glass         | 1704621 |
| Spot    |                        | 12-32V DC | Polycarbonate | 1705341 |
| Spot    |                        | 24V DC    | Polycarbonate | 1704651 |
| Trap    |                        | 12V DC    | Glass         | 1704601 |
| Trap    |                        | 12-32V DC | Polycarbonate | 1705331 |
| Trap    |                        | 24V DC    | Glass         | 1704631 |

# Model 735 XL

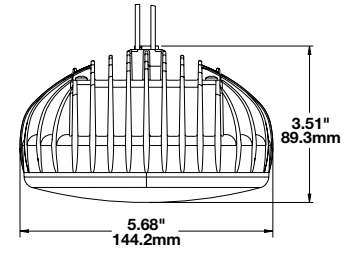
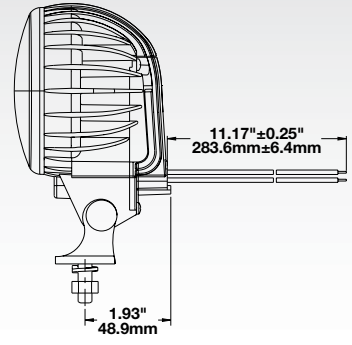
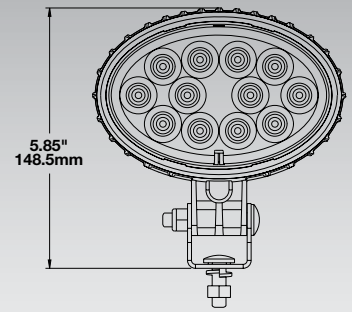
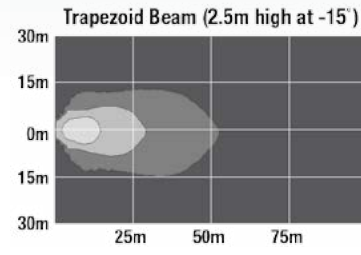
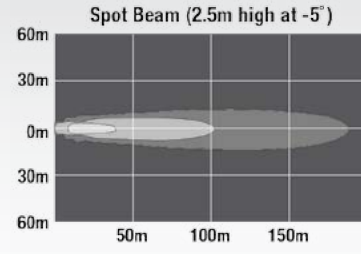
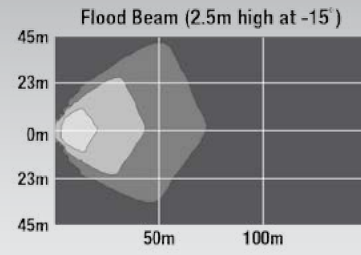
## 3" x 5" LED Worklight



**XL**  
SERIES

- Light Source:** LED
- Raw Output:** 2,700 Lumens
- Effective Output:** 1,400 Lumens
- Input Voltage:** 12-32V DC
- Current Draw:** 3.00 Amps @ 12V DC; 1.50 Amps @ 24V DC
- Mating Connector:** 2-Pin Deutsch Weather-Proof Plug (DT06-2S)
- Standards:** SAE J575 (Worklights), SAE J1113 (Radiated Emissions), SAE J1455 (Environmental), Buy America Compliant, Sealed to IP69K
- Mounting:** Universal Pedestal Mount

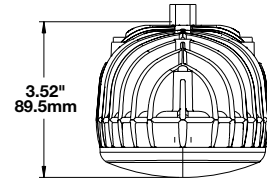
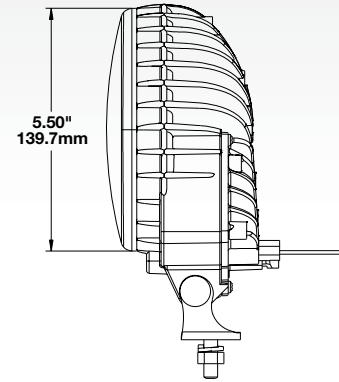
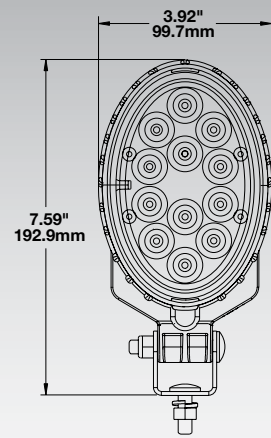
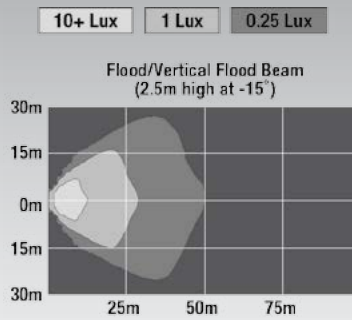
10+ Lux    1 Lux    0.25 Lux



| Pattern | Additional Information                     | Voltage   | Lens          | Part #  |
|---------|--|-----------|---------------|---------|
| Flood   |  | 12-32V DC | Glass         | 1706071 |
| Flood   |  | 12-32V DC | Polycarbonate | 1706351 |
| Spot    |  | 12-32V DC | Glass         | 1706091 |
| Spot    |  | 12-32V DC | Polycarbonate | 1706371 |
| Trap    |  | 12-32V DC | Glass         | 1706081 |
| Trap    |  | 12-32V DC | Polycarbonate | 1706361 |
|         | Replacement Mounting Kit – Black           |           |               | 8200121 |
|         | Replacement Mounting Kit – Stainless Steel |           |               | 8200101 |

# Model 736

## 3" x 5" LED Worklight



- Light Source:** LED

---

- Raw Output:** 2,700 Lumens

---

- Effective Output:** 1,400 Lumens

---

- Input Voltage:** 12V or 24V DC

---

- Current Draw:** 3.70 Amps @ 12V DC; 1.70 Amps @ 24V DC

---

- Mating Connector:** 2-Pin Deutsch Weather-Proof Plug (DT06-2S)

---

- Standards:** SAE J575 (Worklights), SAE J1113 (Radiated Emissions), SAE J1455 (Environmental), ECE Reg. 10 (Radiated Emissions), Buy America Compliant, Sealed to IP67

---

- Mounting:** Universal pedestal mount

| Pattern        | Additional Information | Voltage | Lens          | Part #  |
|----------------|------------------------|---------|---------------|---------|
| Vertical Flood |                        | 12V DC  | Polycarbonate | 1704911 |
| Vertical Flood |                        | 24V DC  | Polycarbonate | 1704961 |

# Model 770 XD

## 3" x 5" LED Worklight



**XD**  
SERIES

**Light Source:** LED

---

**Raw Output:** 900 Lumens

---

**Effective Output:** 700 Lumens

---

**Input Voltage:** 12V or 12-48V DC

---

**Current Draw:**

**12V Version:** 1.00 Amps @ 12V DC

**12-48V Version:** 1.00 Amps @ 12V DC; 0.48 Amps @ 24V DC; 0.32 Amps @ 36V DC; 0.25 Amps @ 48V DC

---

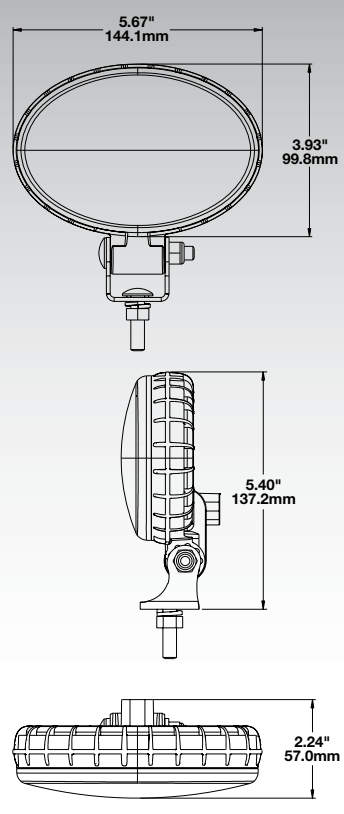
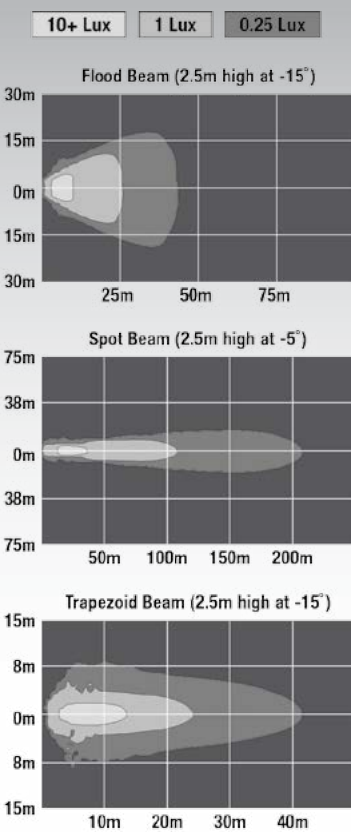
**Mating Connector:** 2-Pin Deutsch Weather-Proof Plug (DT06-2S)

---

**Standards:** SAE J1113 (Radiated Emissions - up to 8kV contact & 15kV air discharge), SAE J1455 (Environmental - 4.13.1.1.1 steady state jump starts), ECE Reg. 10 (Radiated Emissions), CE CISPR (12/22), EN55022, EN12895, Buy America Compliant, Sealed to IP67

---

**Mounting:** Universal pedestal mount



| Pattern | Additional Information                     | Voltage   | Lens          | Part #  |
|---------|--|-----------|---------------|---------|
| Flood   | Light w/ DT04-2P Connector                 | 12V DC    | Polycarbonate | 1706041 |
| Flood   | Light w/ DT04-2P Connector                 | 12-48V DC | Polycarbonate | 1706241 |
| Flood   | Light w/ PE12015792 Connector              | 12-48V DC | Polycarbonate | 1706461 |
| Spot    | Light w/ DT04-2P Connector                 | 12V DC    | Polycarbonate | 1706321 |
| Spot    | Light w/ DT04-2P Connector                 | 12-48V DC | Polycarbonate | 1706261 |
| Trap    | Light w/ DT04-2P Connector                 | 12V DC    | Polycarbonate | 1706051 |
| Trap    | Light w/ DT04-2P Connector                 | 12-48V DC | Polycarbonate | 1706251 |
|         | Replacement Mounting Kit – Black           |           |               | 8200121 |
|         | Replacement Mounting Kit – Stainless Steel |           |               | 8200101 |

# Model 771 XD

## 3" x 5" LED Worklight



**XD**  
SERIES

**Light Source:** LED

**Raw Output:** 900 Lumens

**Effective Output:** 700 Lumens

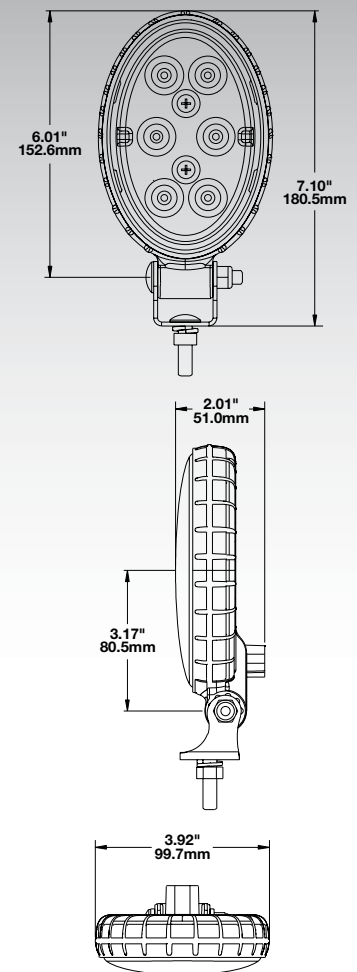
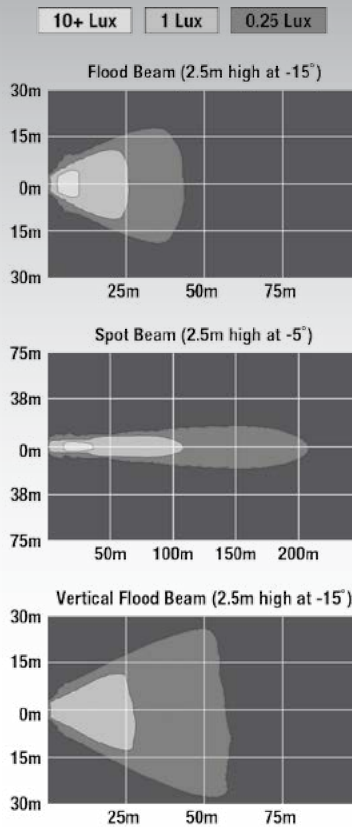
**Input Voltage:** 12-48V DC

**Current Draw:** 1.00 Amps @ 12V DC; 0.48 Amps @ 24V DC  
0.33 Amps @ 36V DC; 0.25 Amps @ 48V DC

**Mating Connector:** 2-Pin Deutsch Weather-Proof Plug (DT06-2S)

**Standards:** SAE J1113 (Radiated Emissions - 13 up to 8KV contact), SAE J1455 (4.13.1.1.1 - Environmental), ECE Reg. 10 (Radiated Emissions), CE CISPR (12/22), Buy America Compliant, Sealed to IP67

**Mounting:** Universal pedestal mount



| Pattern        | Additional Information                     | Voltage   | Lens          | Part #  |
|----------------|--|-----------|---------------|---------|
| Flood          | Light w/ Harness                           | 12-48V DC | Polycarbonate | 1705911 |
| Spot           | Light w/ Harness                           | 12-48V DC | Polycarbonate | 1706191 |
| Vertical Flood | Light w/ Harness                           | 12-48V DC | Polycarbonate | 1706171 |
|                | Replacement Mounting Kit – Black           |           |               | 8200121 |
|                | Replacement Mounting Kit – Stainless Steel |           |               | 8200101 |

Forward Lighting

Worklights

Emergency & Warning

Interior

Signal Lights

Thermal Imaging

Electronics

Heavy Duty Light Bars

Vehicle Identification

Service Parts

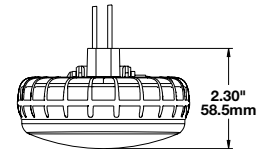
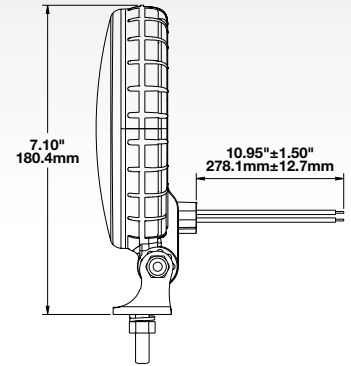
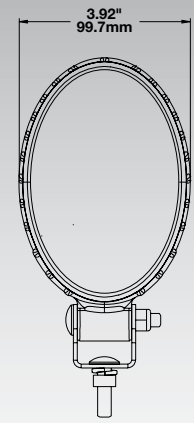
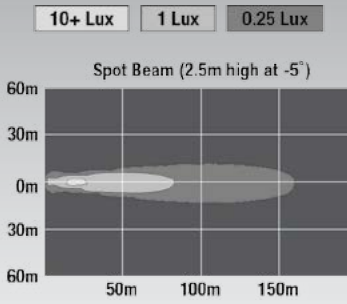
Reference

# Model 775 XD

## 3" x 5" LED Worklight & Turn Signal



**XD**  
SERIES



- Light Source:** LED

---

- Raw Output:** 600 Lumens

---

- Effective Output:** 400 Lumens

---

- Input Voltage:** 12-48V DC

---

- Current Draw:** 1.20 Amps @ 12V DC; 0.60 Amps @ 24V DC; 0.40 Amps @ 36V DC; 0.30 Amps @ 48V DC

---

- Mating Connector:** 2-Pin Deutsch Weather-Proof Plug (DT06-2S)

---

- Standards:** SAE J1113 (Radiated Emissions - 13 up to 8V contact/15KV air discharge), SAE J1455 (Environmental - 4.13.1.1.1 steady state jump starts), ECE Reg. 6 (Signal), ECE Reg. 10 (Radiated Emissions), CE CISPR (12/22), UL Listed, Buy America Compliant, Sealed to IP67

---

- Mounting:** Universal pedestal mount

| Pattern     | Additional Information                     | Voltage   | Lens          | Part #  |
|-------------|--|-----------|---------------|---------|
| Spot & Turn |  | 12-48V DC | Polycarbonate | 1706301 |
|             | Replacement Mounting Kit – Black           |           |               | 8200121 |
|             | Replacement Mounting Kit – Stainless Steel |           |               | 8200101 |

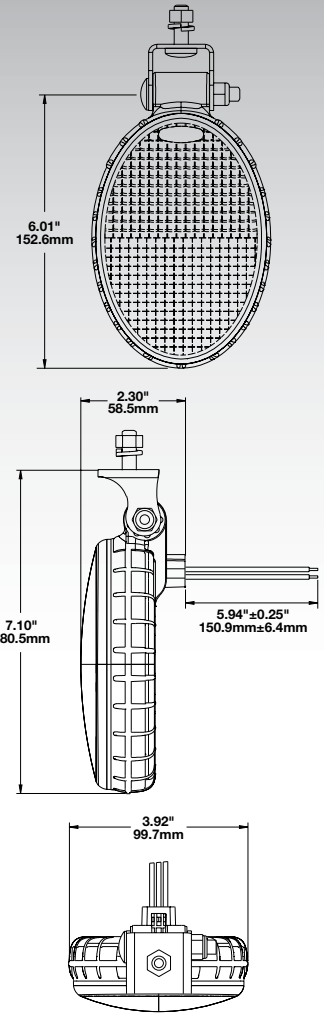
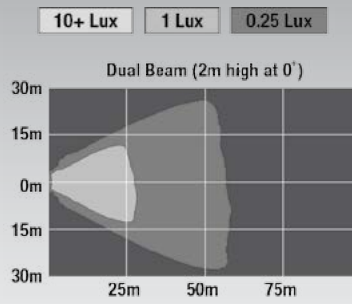


# Model 776 XD

## 3" x 5" LED Dual Beam Worklight



**XD**  
SERIES



**Light Source:** LED

**Raw Output:** 1,440 Lumens

**Effective Output:** 250 (Top Beam)/ 370 (Bottom Beam)/ 620 (Dual Beam) Lumens

**Input Voltage:** 12-24V DC

**Current Draw:**

**Top or Bottom Beam:** 0.77 Amps @ 12V DC;  
0.37 Amps @ 24V DC

**Dual Beam:** 1.50 Amps @ 12V DC; 0.73 Amps @ 24V DC

**Mating Connector:** 3-Pin Deutsch Weather-Proof Plug (DT06-3S)

**Standards:** SAE J1113 (Radiated Emissions - 13 up to 8V contact & 15KV air discharge), SAE J1455 (Environmental - 4.13.1.1.1 steady state jump starts), ECE Reg. 6 (Signal), ECE Reg. 10 (Radiated Emissions), CE CISPR (12/22), UL Listed, EN55022, EN12895, Buy America Compliant, Sealed to IP67

**Mounting:** Universal pedestal mount

**Special Note:** There are three settings for this light—top beam, bottom beam, or both simultaneously

| Pattern   | Additional Information                     | Voltage   | Lens          | Part #  |
|-----------|--|-----------|---------------|---------|
| Dual Beam |  | 12-24V DC | Polycarbonate | 1706331 |
|           | Replacement Mounting Kit – Black           |           |               | 8200121 |
|           | Replacement Mounting Kit – Stainless Steel |           |               | 8200101 |

Forward Lighting

Worklights

Emergency & Warning

Interior

Signal Lights

Thermal Imaging

Electronics

Heavy Duty Light Bars

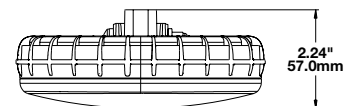
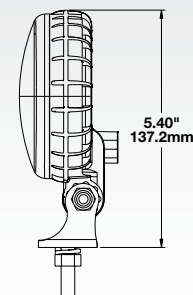
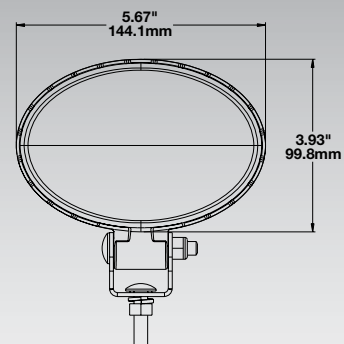
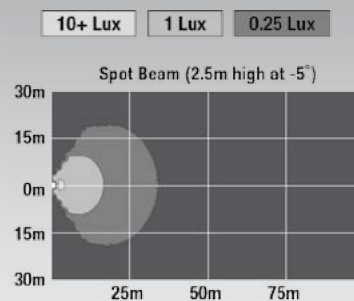
Vehicle Identification

Service Parts

Reference

# Model 778

## 3" x 5" LED Backup Camera Light



**Light Source:** LED

**Raw Output:** 580 Lumens

**Effective Output:** 900 Lumens

**Input Voltage:** 12-48V DC

**Current Draw:** 1.00 Amps @ 12V DC; 0.48 Amps @ 24V DC; 0.33 Amps @ 36V DC; 0.25 Amps @ 48V DC

**Mating Connector:** 2-Pin Deutsch Weather-Proof Plug (DT06-2S)

**Standards:** SAE J1113 (Radiated Emissions), SAE J1455 (Environmental), SAE J593 (Backup), ECE Reg. 10 (Radiated Emissions), CE CISPR (12/22), EN55022, EN12895, CE Recognized, Buy America Compliant, Sealed to IP67

**Mounting:** Universal Pedestal Mount

**Special Notes:** SAE J593 states that the light must shine no brighter than 300 Candela. The Model 778 XD produces just under 300 Candelas in an evenly distributed beam pattern.

| Pattern | Additional Information                     | Voltage   | Lens          | Part #  |
|---------|--|-----------|---------------|---------|
| Spot    |  | 12-48V DC | Polycarbonate | 1706721 |
|         | Replacement Mounting Kit – Black           |           |               | 8200121 |
|         | Replacement Mounting Kit – Stainless Steel |           |               | 8200101 |

# Model 781

## 2" x 6" LED Mast Light



**Light Source:** LED

**Raw Output:** 600 Lumens

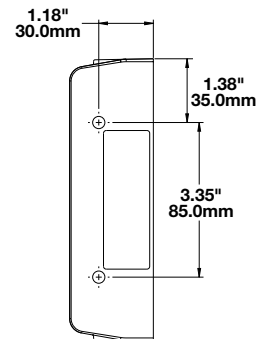
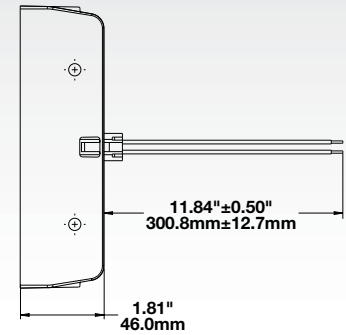
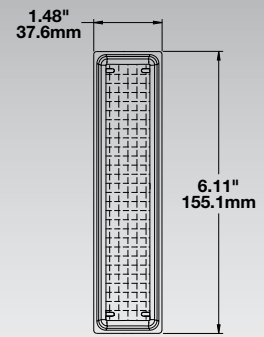
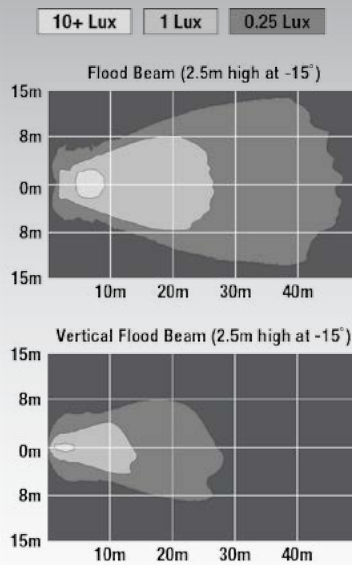
**Effective Output:** 430 Lumens

**Input Voltage:** 12V DC

**Current Draw:** 1.26 Amps @ 12V DC

**Mating Connector:** 2-Pin Deutsch Weather-Proof Plug (DT06-2S)

**Standards:** ETL Conformance to UL 583, CE Recognized, UL Recognized, Buy America Compliant, Sealed to IP67



Forward Lighting

Worklights

Emergency & Warning

Interior

Signal Lights

Thermal Imaging

Electronics

Heavy Duty Light Bars

Vehicle Identification

Service Parts

Reference

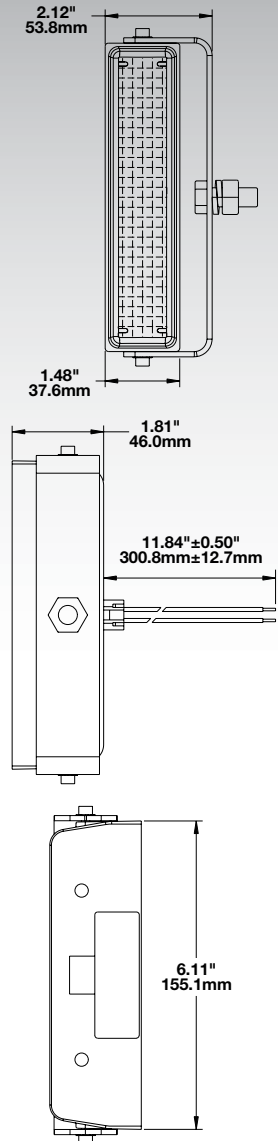
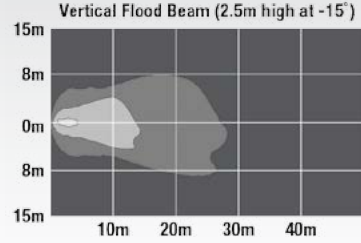
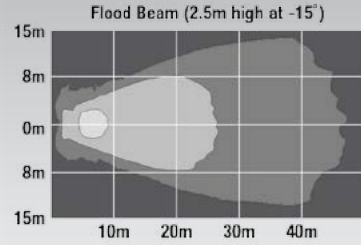
| Pattern | Additional Information | Voltage | Lens          | Part #  |
|---------|------------------------|---------|---------------|---------|
| Flood   |                        | 12V DC  | Polycarbonate | 0546041 |

# Model 783

## 2" x 6" LED Mast Light



10+ Lux    1 Lux    0.25 Lux



**Light Source:** LED

**Raw Output:** 600 Lumens

**Effective Output:** 430 Lumens

**Input Voltage:** 12-48V DC

**Current Draw:** 1.00 Amps @ 12V DC; 0.55 Amps @ 24V DC; 0.38 Amps @ 36V DC; 0.25 Amps @ 48V DC

**Mating Connector:** 2-Pin Deutsch Weather-Proof Plug (DT06-2S)

**Standards:** UL Recognized, SAE J575 (Mast Lights), SAE J1113 (Radiated Emissions), SAE J1455 (Environmental), CE Recognized, ETL Conformance to UL 583, Buy America Compliant, Sealed to IP67

**Mounting:** Universal pedestal mount

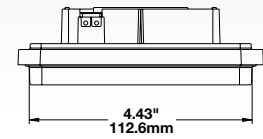
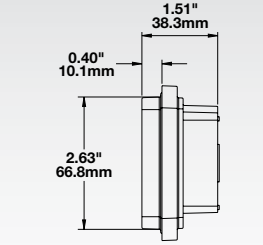
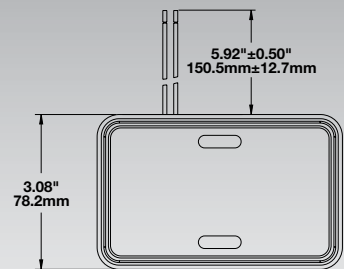
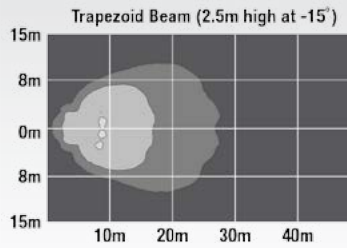
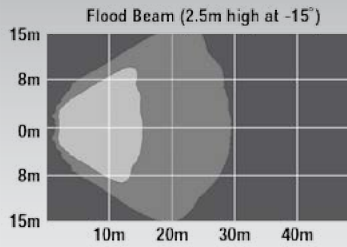
| Pattern        | Additional Information | Voltage   | Lens          | Part #  |
|----------------|------------------------|-----------|---------------|---------|
| Flood          |                        | 12-48V DC | Polycarbonate | 0544691 |
| Vertical Flood |                        | 12-48V DC | Polycarbonate | 0544681 |

# Model 803

## 3" x 5" LED Worklight



10+ Lux    1 Lux    0.25 Lux



- Light Source:** LED

---

- Raw Output:** 420 Lumens

---

- Effective Output:** 250 Lumens

---

- Input Voltage:** 12V or 24-48V DC

---

- Current Draw:** 0.33 Amps @ 12V DC; 0.14 Amps @ 24V DC; 0.10 Amps @ 36V DC; 0.07 Amps @ 48V DC

---

- Wiring:** 6" Wires with 0.25" Blade Terminal

---

- Standards:** UL Recognized (24-48V version only), Buy America Compliant, Sealed to IP67

---

- Mounting:** Low profile mount

| Pattern | Additional Information | Voltage   | Lens          | Part #  |
|---------|------------------------|-----------|---------------|---------|
| Flood   |                        | 12V DC    | Polycarbonate | 0546741 |
| Flood   |                        | 24-48V DC | Polycarbonate | 0546751 |
| Trap    |                        | 12V DC    | Polycarbonate | 0548251 |

Forward Lighting

Worklights

Emergency & Warning

Interior

Signal Lights

Thermal Imaging

Electronics

Heavy Duty Light Bars

Vehicle Identification

Service Parts

Reference

# Model 806

## 3" x 5" LED Worklight



**Combine Retrofit Mount**



**Bottom Mount**

**Light Source:** LED

**Raw Output:** 900 Lumens

**Effective Output:** 700 Lumens

**Input Voltage:** 12V DC

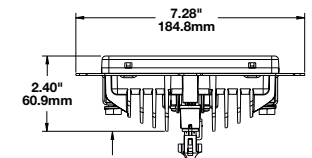
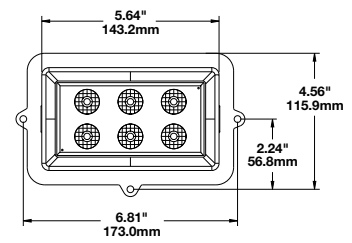
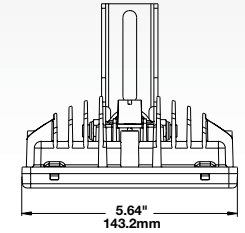
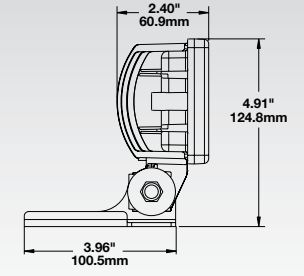
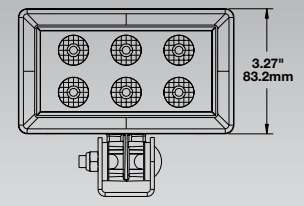
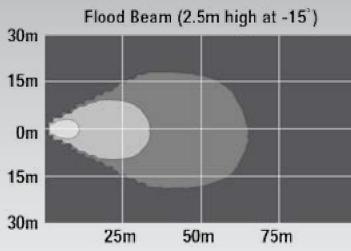
**Current Draw:** 1.50 Amps @ 12V DC

**Mating Connector:** Packard (#12020599)

**Standards:** SAE J1113 (Radiated Emissions), ECE Reg. 10 (Radiated Emissions), Buy America Compliant, Sealed to IP67

**Mounting:** See additional information below

10+ Lux 1 Lux 0.25 Lux



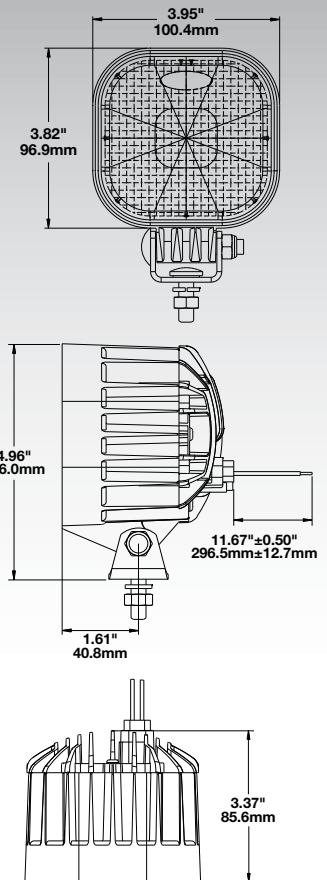
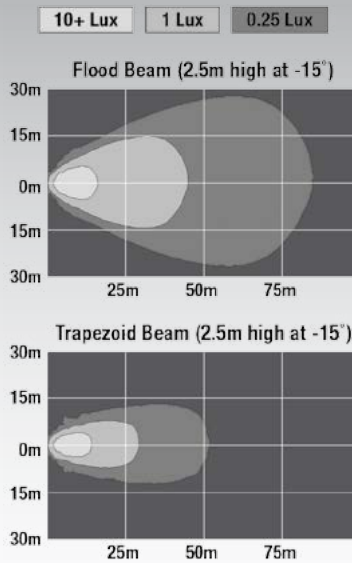
| Pattern        | Additional Information          | Voltage | Lens  | Part #  |
|----------------|---------------------------------|---------|-------|---------|
| ECE/ SAE Flood | Light w/ Bottom Mount           | 12V DC  | Glass | 0545971 |
| ECE/ SAE Flood | Light w/ Combine Retrofit Mount | 12V DC  | Glass | 0547431 |
| ECE/ SAE Flood | Light w/ Fender Mount           | 12V DC  | Glass | 0545961 |
| ECE/ SAE Flood | Light w/ 10° Mounting Plate     | 12V DC  | Glass | 0548311 |
| ECE/ SAE Flood | Light w/ Side Mount             | 12V DC  | Glass | 0545981 |

# Model 832

## 4" x 4" LED Worklight



- Light Source:** LED
- Raw Output:** 2,400 Lumens
- Effective Output:** 1,425 Lumens
- Input Voltage:** 12-24V DC
- Current Draw:** 2.90 Amps @ 12V DC; 1.36 Amps @ 24V DC
- Mating Connector:** 2-Pin Deutsch Weather-Proof Plug (DT06-2S)
- Standards:** Buy America Compliant, Sealed to IP67
- Mounting:** Universal pedestal mount



| Pattern | Additional Information | Voltage   | Lens          | Part #  |
|---------|------------------------|-----------|---------------|---------|
| Flood   |                        | 12-24V DC | Polycarbonate | 0545631 |
| Trap    |                        | 12-24V DC | Polycarbonate | 0545621 |

# Model 832 XL

## 4" x 4" LED Worklight



**XL**  
SERIES

- Light Source:** LED

---

- Raw Output:** 2,400 Lumens

---

- Effective Output:** 1,425 Lumens

---

- Input Voltage:** 12-24V DC

---

- Current Draw:** 2.90 Amps @ 12V DC; 1.36 Amps @ 24V DC

---

- Mating Connector:** 2-Pin Deutsch Weather-Proof Plug (DT06-2S)

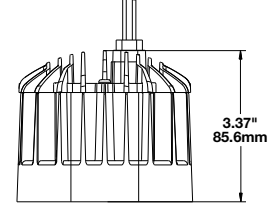
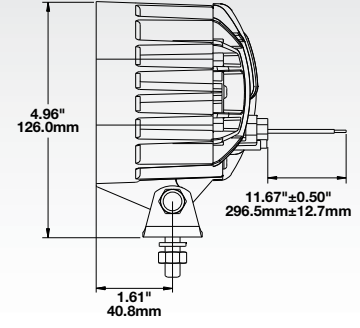
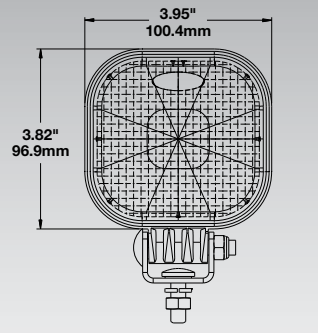
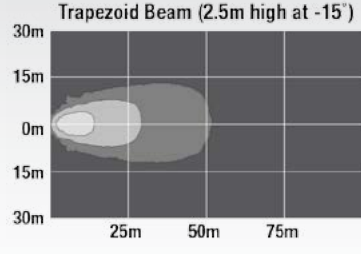
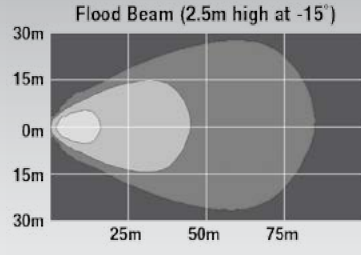
---

- Standards:** Buy America Compliant, Sealed to IP69K

---

- Mounting:** Universal pedestal mount

10+ Lux    1 Lux    0.25 Lux



| Pattern | Additional Information | Voltage   | Lens          | Part #  |
|---------|------------------------|-----------|---------------|---------|
| Flood   |                        | 12-24V DC | Polycarbonate | 0547401 |
| Trap    |                        | 12-24V DC | Polycarbonate | 0547411 |



# Model 840 XD

## 4" x 4" LED Worklight



**XD**  
SERIES

**Light Source:** LED

**Raw Output:** 1,080 Lumens

**Effective Output:** 780 Lumens

**Input Voltage:** 12-24V or 12-110V DC

**Current Draw:**

**12-24V Version:** 1.30 Amps @ 12V DC; 0.60 Amps @ 24V DC

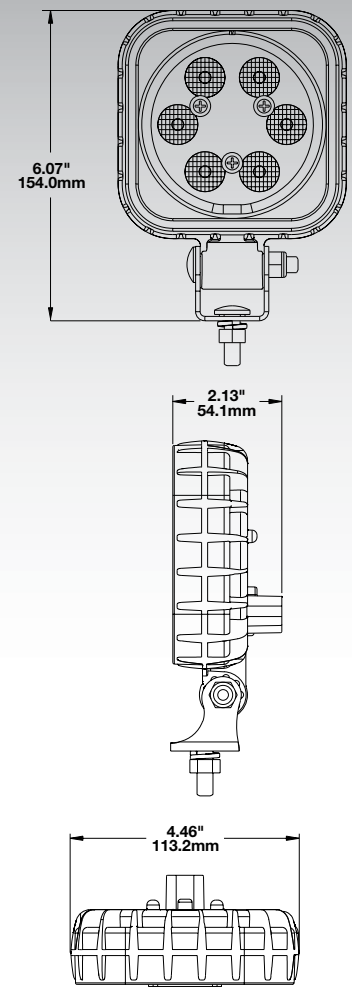
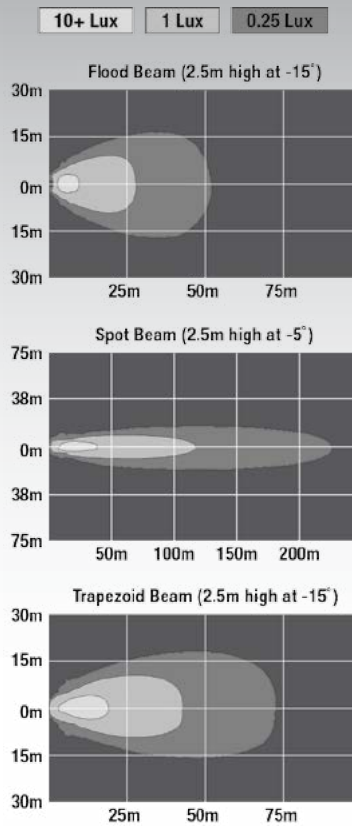
**12-110V Version:** 1.30 Amps @ 12V DC; 0.60 Amps @ 24V DC;

0.20 Amps @ 110V DC

**Mating Connector:** 2-Pin Deutsch Weather-Proof Plug (DT06-2S) or .250" x .032" Blade Connector (AMP 180923)

**Standards:** SAE J1113 (Radiated Emissions - 13 up to 8V contact/15KV air discharge), SAE J1455 (Environmental - 4.13.1.1.1 steady state jump starts), ECE Reg. 10 (Radiated Emissions), CE CISPR (12/22), UL Listed, EN55022, EN12895, Buy America Compliant, Sealed to IP69K

**Mounting:** Universal pedestal mount



| Pattern | Additional Information                     | Voltage    | Lens          | Part #  |
|---------|--|------------|---------------|---------|
| Flood   | Integrated 2-Pin Deutsch Connector         | 12-24V DC  | Polycarbonate | 1300001 |
| Flood   | Integrated 2-Pin Deutsch Connector         | 12-110V DC | Polycarbonate | 1300091 |
| Spot    | Integrated 2-Pin Deutsch Connector         | 12-24V DC  | Polycarbonate | 1300021 |
| Spot    | Integrated 2-Pin Deutsch Connector         | 12-110V DC | Polycarbonate | 1300101 |
| Trap    | Integrated 2-Pin Deutsch Connector         | 12-24V DC  | Polycarbonate | 1300011 |
| Trap    | Integrated 2-Pin Deutsch Connector         | 12-110V DC | Polycarbonate | 1300031 |
| Trap    | Integrated AMP Connector                   | 12-110V DC | Polycarbonate | 1300041 |
|         | Replacement Mounting Kit – Black           |            |               | 8200121 |
|         | Replacement Mounting Kit – Stainless Steel |            |               | 8200101 |

# Model 840 XD Vertical Flood

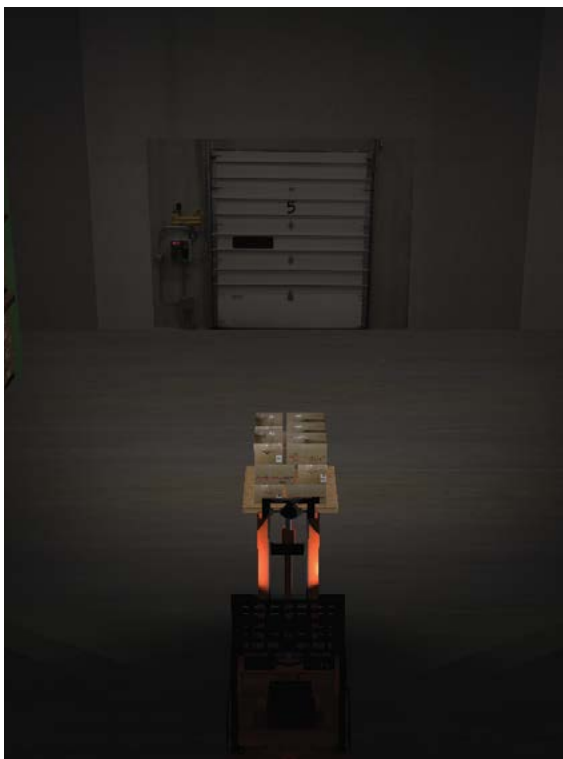
## 4" x 4" LED Forklift Worklight



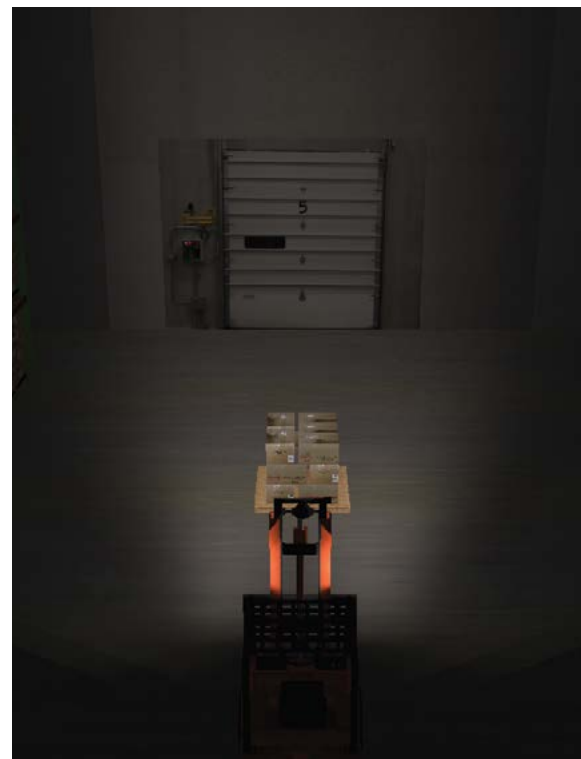
Some forklift operators have found that mounting general purpose worklights to their forklifts causes light to reflect off of the forks and/or uprights, creating glare. We have created the Model 840 XD vertical flood light to specifically address this issue, without sacrificing on workspace illumination.

There are two versions of the vertical flood beam pattern, a right-hand version, and a left-hand version. Their beam patterns have been specifically engineered to be used in conjunction with one another to provide ample illumination while at the same time minimizing glare to the uprights.

### Traditional Flood Lights



### Model 840 Vertical Flood Lights



# Model 840 XD Vertical Flood 4" x 4" LED Forklift Worklight



**XD**  
SERIES

**Light Source:** LED

**Raw Output:** 1,080 Lumens

**Effective Output:** 780 Lumens

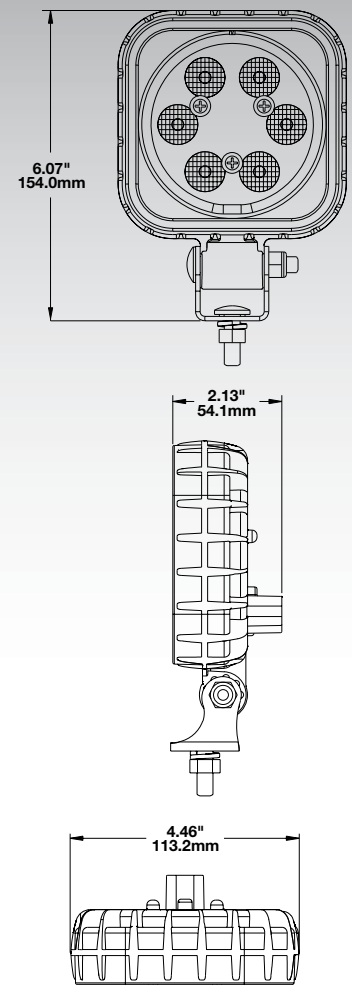
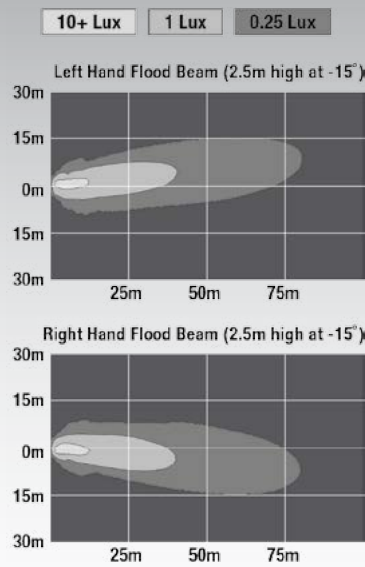
**Input Voltage:** 12-48V DC

**Current Draw:** 1.30 Amps @ 12V DC; 0.60 Amps @ 24V DC;  
0.40 Amps @ 36V DC; 0.30 Amps @ 48V DC

**Mating Connector:** 2-Pin Deutsch Weather-Proof Plug (DT06-2S)

**Standards:** SAE J1113 (Radiated Emissions - 13 up to 8V contact/15KV air discharge), SAE J1455 (Environmental - 4.13.1.1.1 steady state jump starts), ECE Reg. 10 (Radiated Emissions), CE CISPR (12/22), UL Listed, EN55022, EN12895, Buy America Compliant, Sealed to IP69K

**Mounting:** Universal pedestal mount



Forward  
Lighting

Worklights

Emergency  
& Warning

Interior

Signal Lights

Thermal  
Imaging

Electronics

Heavy Duty  
Light Bars

Vehicle  
Identification

Service  
Parts

Reference

| Pattern                   | Additional Information                     | Voltage   | Lens          | Part #  |
|---------------------------|--|-----------|---------------|---------|
| Left Hand Vertical Flood  |  | 12-48V DC | Polycarbonate | 1300301 |
| Right Hand Vertical Flood |  | 12-48V DC | Polycarbonate | 1300311 |
|                           | Replacement Mounting Kit – Black           |           |               | 8200121 |
|                           | Replacement Mounting Kit – Stainless Steel |           |               | 8200101 |

# Model 880 XD

## 3" x 5" LED Worklight



**XD**  
SERIES

**Light Source:** LED

---

**Raw Output:** 1,680 Lumens

---

**Effective Output:** 900 Lumens

---

**Input Voltage:** 12-24V DC

---

**Current Draw:**

**Non-Switch Version:** 1.30 Amps @ 12V DC;  
0.70 Amps @ 24V DC

**On/Off Switch Version:** 1.20 Amps @ 12V DC;  
0.60 Amps @ 24V DC

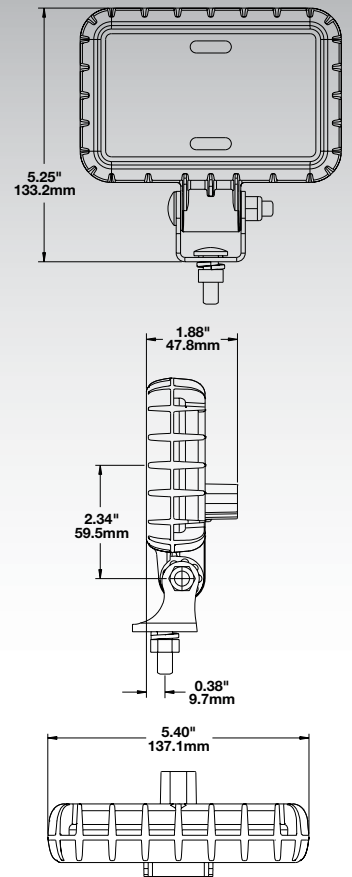
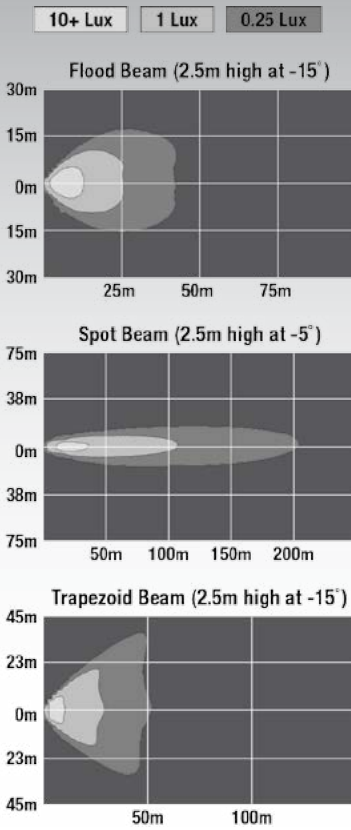
---

**Mating Connector:** 2-Pin Deutsch Weather-Proof Plug (DT06-2S)

**Standards:** SAE J1113 (Radiated Emissions), SAE J1455 (Environmental), ECE Reg. 10 (Radiated Emissions), CE CISPR, UL Listed (Except Switch Version), Buy America Compliant, Sealed to IP69K

---

**Mounting:** Universal pedestal mount



| Pattern | Additional Information                     | Voltage   | Lens          | Part #  |
|---------|--|-----------|---------------|---------|
| Flood   | On/Off Switch Version                      | 12-24V DC | Polycarbonate | 1603331 |
| Flood   | Non-Switch Version                         | 12-24V DC | Polycarbonate | 1603261 |
| Spot    | On/Off Switch Version                      | 12-24V DC | Polycarbonate | 1603311 |
| Spot    | Non-Switch Version                         | 12-24V DC | Polycarbonate | 1603241 |
| Trap    | On/Off Switch Version                      | 12-24V DC | Polycarbonate | 1603321 |
| Trap    | Non-Switch Version                         | 12-24V DC | Polycarbonate | 1603251 |
|         | Replacement Mounting Kit – Black           |           |               | 8200121 |
|         | Replacement Mounting Kit – Stainless Steel |           |               | 8200101 |

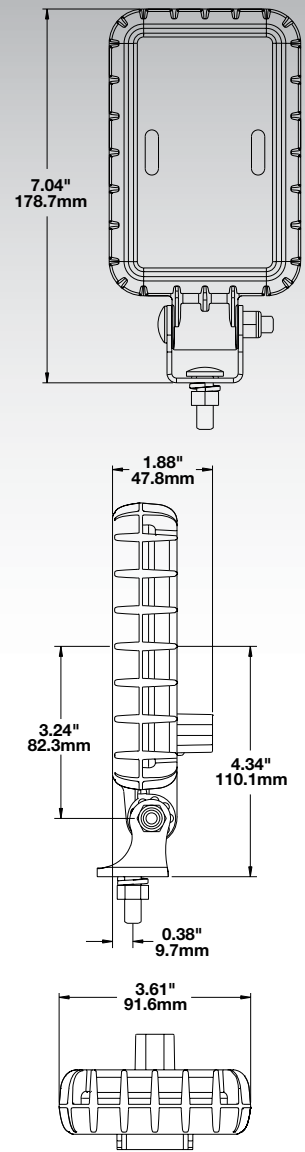
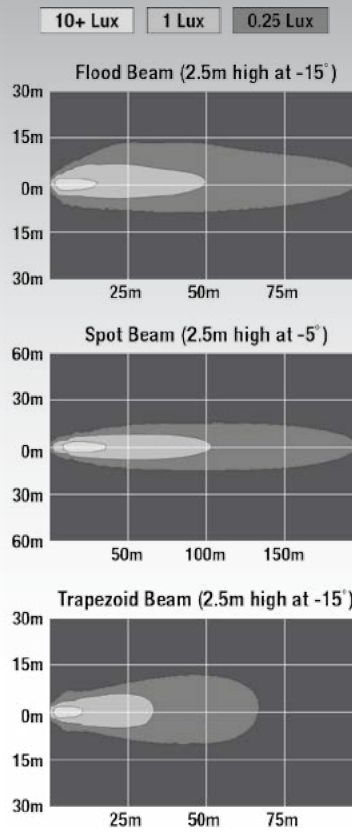
# Model 881 XD

## 3" x 5" LED Worklight



**XD**  
SERIES

- Light Source:** LED
- Raw Output:** 1,680 Lumens
- Effective Output:** 900 Lumens
- Input Voltage:** 12-24V DC
- Current Draw:** 1.00 Amps @ 12V DC; 0.48 Amps @ 24V DC
- Mating Connector:** 2-Pin Deutsch Weather-Proof Plug (DT06-2S)
- Standards:** : SAE J1113 (Radiated Emissions), SAE J1455 (Environmental), ECE Reg. 10 (Radiated Emissions), CE CISPR, UL Listed, Buy America Compliant, Sealed to IP69K
- Mounting:** Universal pedestal mount



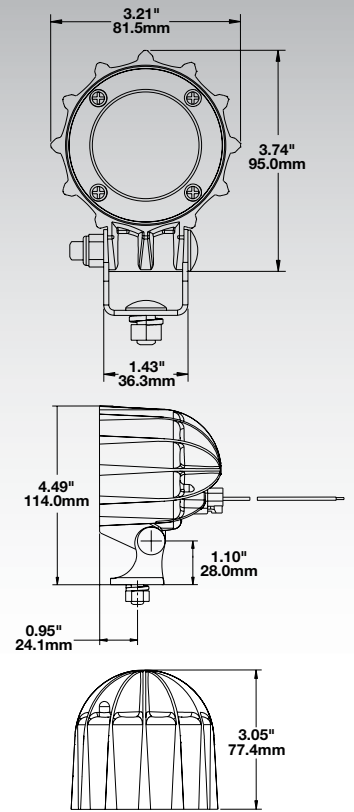
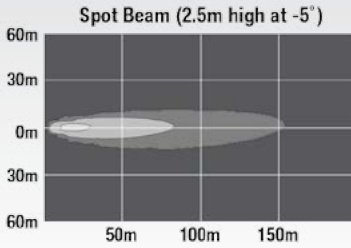
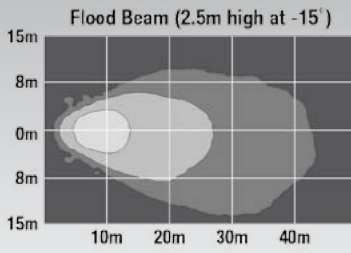
| Pattern | Additional Information                     | Voltage   | Lens          | Part #  |
|---------|--|-----------|---------------|---------|
| Flood   |  | 12-24V DC | Polycarbonate | 1603291 |
| Spot    |  | 12-24V DC | Polycarbonate | 1603271 |
| Trap    |  | 12-24V DC | Polycarbonate | 1603281 |
|         | Replacement Mounting Kit – Black           |           |               | 8200121 |
|         | Replacement Mounting Kit – Stainless Steel |           |               | 8200101 |

# Model 4410

## 3" LED Worklight



10+ Lux    1 Lux    0.25 Lux



- Light Source:** LED

---

- Raw Output:** 1,100 Lumens

---

- Effective Output:** 525 Lumens

---

- Input Voltage:** 12-48V DC

---

- Current Draw:** 1.00 Amps @ 12V DC; 0.50 Amps @ 24V DC; 0.33 Amps @ 36V DC; 0.25 Amps @ 48V DC

---

- Mating Connector:** 2-Pin Deutsch Weather-Proof Plug (DT06-2S)

---

- Standards:** Buy America Compliant, Sealed to IP67

---

- Mounting:** Universal pedestal mount

| Pattern | Additional Information                     | Voltage   | Lens          | Part #  |
|---------|--|-----------|---------------|---------|
| Flood   |  | 12-48V DC | Polycarbonate | 0545931 |
| Spot    |  | 12-48V DC | Polycarbonate | 0547681 |
|         | Replacement Mounting Kit – Black           |           |               | 8200121 |
|         | Replacement Mounting Kit – Stainless Steel |           |               | 8200101 |

# Model 4410 XL

## 3" LED Worklight



**Light Source:** LED

**Raw Output:** 1,100 Lumens

**Effective Output:** 525 Lumens

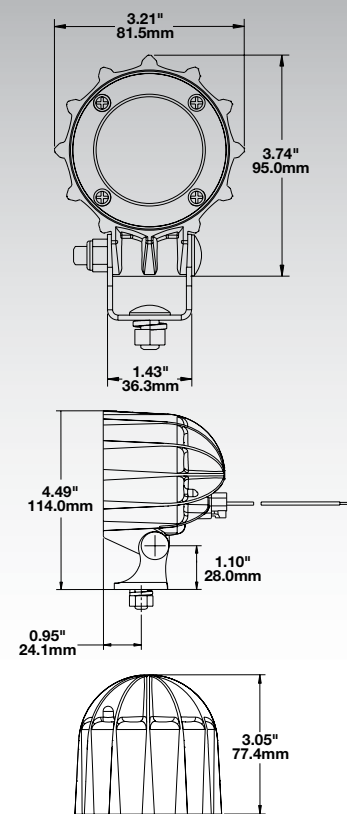
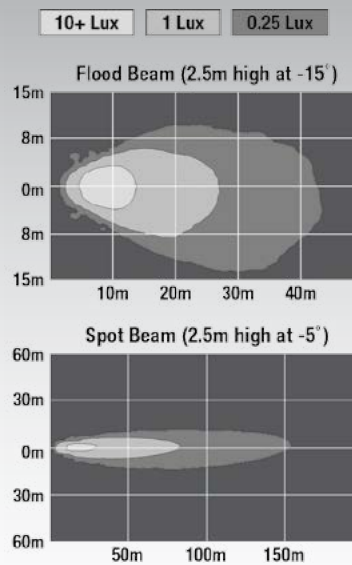
**Input Voltage:** 12-48V DC

**Current Draw:** 1.00 Amps @ 12V DC; 0.50 Amps @ 24V DC;  
0.33 Amps @ 36V DC; 0.25 Amps @ 48V DC

**Mating Connector:** 2-Pin Deutsch Weather-Proof Plug (DT06-2S)

**Standards:** Buy America Compliant, Sealed to IP69K

**Mounting:** Universal pedestal mount



| Pattern | Additional Information                     | Voltage   | Lens          | Part #  |
|---------|--|-----------|---------------|---------|
| Flood   |  | 12-48V DC | Polycarbonate | 0548291 |
| Spot    |  | 12-48V DC | Polycarbonate | 0548281 |
|         | Replacement Mounting Kit – Black           |           |               | 8200121 |
|         | Replacement Mounting Kit – Stainless Steel |           |               | 8200101 |

Forward Lighting

Worklights

Emergency & Warning

Interior

Signal Lights

Thermal Imaging

Electronics

Heavy Duty Light Bars

Vehicle Identification

Service Parts

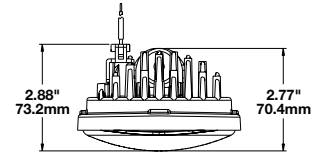
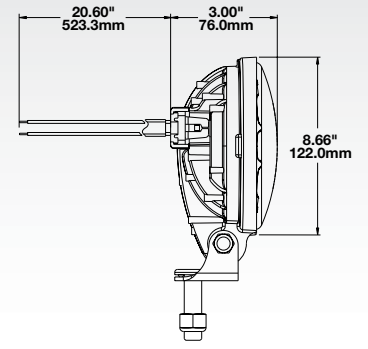
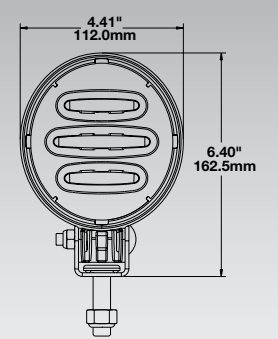
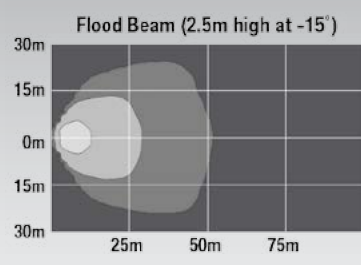
Reference

# Model 6020

## 4" x 5" LED Worklight



10+ Lux    1 Lux    0.25 Lux



- Light Source:** LED

---

- Raw Output:** 1,800 Lumens

---

- Effective Output:** 1,010 Lumens

---

- Input Voltage:** 12V DC

---

- Current Draw:** 2.33 Amps @ 12V DC

---

- Mating Connector:** Packard (#12059183)

---

- Standards:** : ECE Reg. 10 (Radiated Emissions), Buy America Compliant, Sealed to IP67

---

- Mounting:** Universal pedestal mount

| Pattern | Additional Information | Voltage | Lens          | Part #  |
|---------|------------------------|---------|---------------|---------|
| Flood   |                        | 12V DC  | Polycarbonate | 1000011 |



# Model 6040

## 4.5" (PAR36) LED Worklight



- Light Source:** LED

---

- Raw Output:** 1,050 Lumens

---

- Effective Output:** 770 Lumens

---

- Input Voltage:** 12V or 12-48V DC

---

- Current Draw:**

  - 12V DC Version:** 2.00 Max Amps @ 12V DC
  - 12-48V DC Version:** 2.00 Amps @ 12V DC;
  - 0.50 Amps @ 24V DC; 0.33 Amps @ 36V DC;
  - 0.26 Amps @ 48V DC

---

- Mating Connector:** 0.25" Blade Terminal, #6 Ring Terminal, or #8 Ring Terminal

---

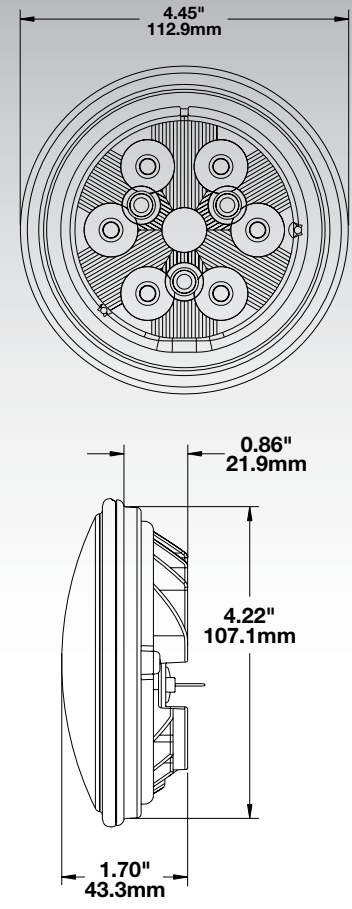
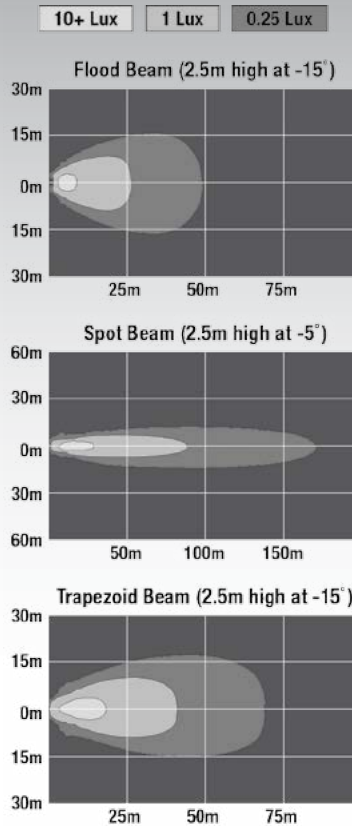
- Standards:** Buy America Compliant, Sealed to IP66

---

- Mounting:** Replaces PAR36 Sealed Beams

---

- Special Notes:** Light comes configured with 0.25" blade terminal. #6 and #8 ring terminal adaptors included.



| Pattern | Additional Information | Voltage   | Lens          | Part #  |
|---------|------------------------|-----------|---------------|---------|
| Flood   |                        | 12V DC    | Glass         | 3157291 |
| Flood   |                        | 12V DC    | Polycarbonate | 8000111 |
| Flood   |                        | 12-48V DC | Glass         | 3157601 |
| Flood   |                        | 12-48V DC | Polycarbonate | 3157471 |
| Spot    |                        | 12V DC    | Polycarbonate | 8000281 |
| Spot    |                        | 12-48V DC | Glass         | 3157581 |
| Spot    |                        | 12-48V DC | Polycarbonate | 3157491 |
| Trap    |                        | 12V DC    | Glass         | 3157301 |
| Trap    |                        | 12V DC    | Polycarbonate | 8000121 |
| Trap    |                        | 12-48V DC | Glass         | 3157591 |
| Trap    |                        | 12-48V DC | Polycarbonate | 3157481 |

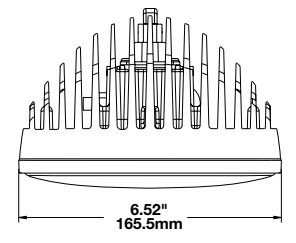
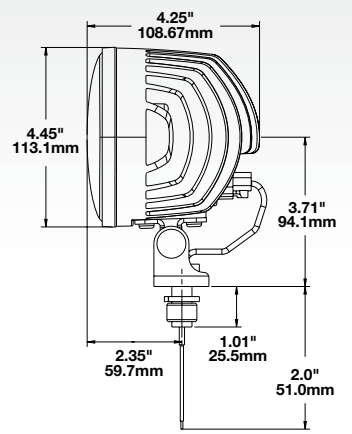
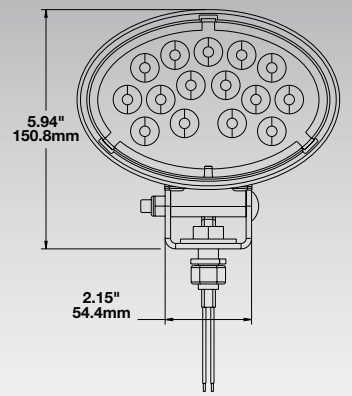
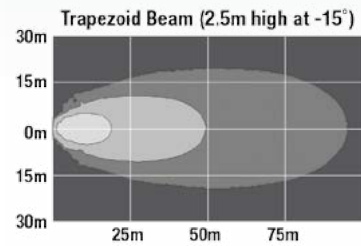
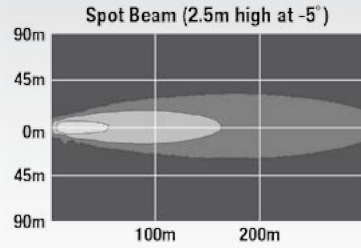
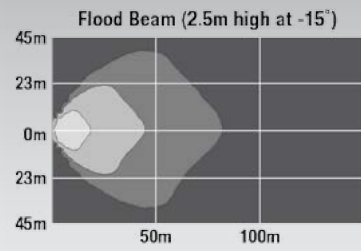
# Model 7150

## 5" x 7" LED Worklight



- Light Source:** LED
- Raw Output:** 5,200 Lumens
- Effective Output:** 3,300 Lumens
- Input Voltage:** 12-24V DC
- Current Draw:** 6.50 Amps @ 12V DC; 3.50 Amps @ 24V DC
- Mating Connector:** 2-Pin Deutsch Weather-Proof Plug (DT06-2S)
- Standards:** SAE J575 (Worklights), SAE J1113 (Radiated Emissions), SAE J1455 (Environmental), Buy America Compliant, Sealed to IP67
- Mounting:** Universal pedestal mount

10+ Lux    1 Lux    0.25 Lux



| Pattern | Additional Information | Voltage   | Lens                | Part #  |
|---------|------------------------|-----------|---------------------|---------|
| Flood   |                        | 12-24V DC | Clear Polycarbonate | 1801001 |
| Spot    |                        | 12-24V DC | Clear Polycarbonate | 1801151 |
| Trap    |                        | 12-24V DC | Clear Polycarbonate | 1800991 |
| Trap    |                        | 12-24V DC | Amber Polycarbonate | 1801061 |

# Model 7150 XL

## 5" x 7" LED Worklight



**Light Source:** LED

**Raw Output:** 8,600 Lumens

**Effective Output:** 5,400 Lumens

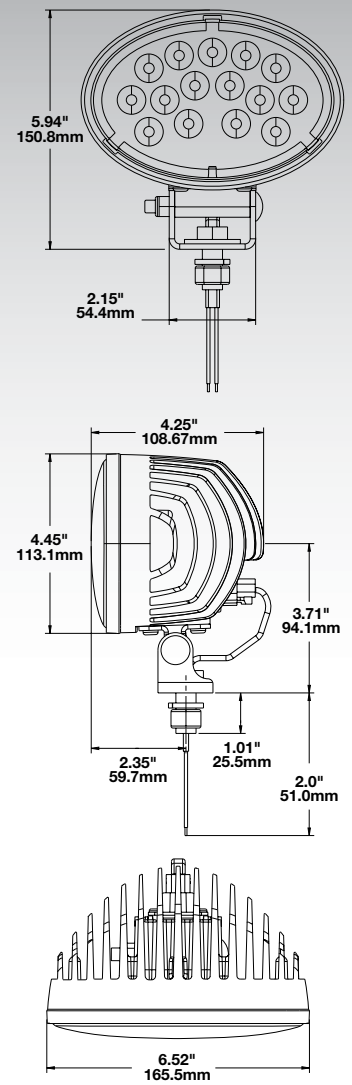
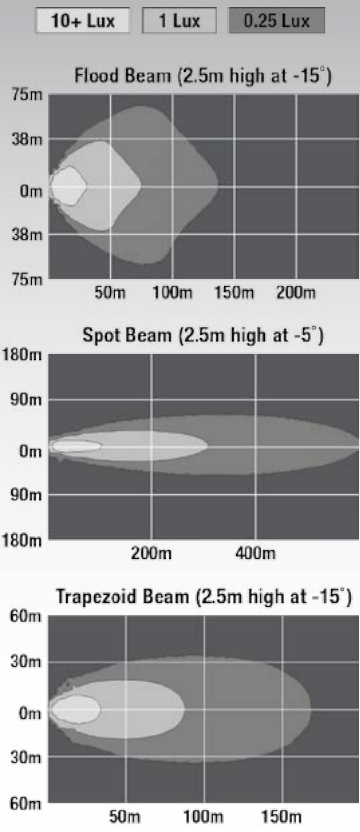
**Input Voltage:** 12-24V DC

**Current Draw:** 6.50 Amps @ 12V DC; 3.50 Amps @ 24V DC

**Mating Connector:** 2-Pin Deutsch Weather-Proof Plug (DT06-2S)

**Standards:** SAE J575 (Worklights), SAE J1113 (Radiated Emissions), SAE J1455 (Environmental), Buy America Compliant, Sealed to IP69K

**Mounting:** Universal pedestal mount



| Pattern | Additional Information | Voltage   | Lens          | Part #  |
|---------|------------------------|-----------|---------------|---------|
| Flood   |                        | 12-24V DC | Polycarbonate | 1801341 |
| Spot    |                        | 12-24V DC | Polycarbonate | 1801351 |
| Trap    |                        | 12-24V DC | Polycarbonate | 1801331 |

Forward Lighting

Worklights

Emergency & Warning

Interior

Signal Lights

Thermal Imaging

Electronics

Heavy Duty Light Bars

Vehicle Identification

Service Parts

Reference

# Model 7151

## 5" x 7" LED Worklight



**Light Source:** LED

---

**Raw Output:** 4,500 Lumens

---

**Effective Output:** 3,000 Lumens

---

**Input Voltage:** 12-24V DC

---

**Current Draw:** 6.50 Amps @ 12V DC; 3.00 Amps @ 24V DC

---

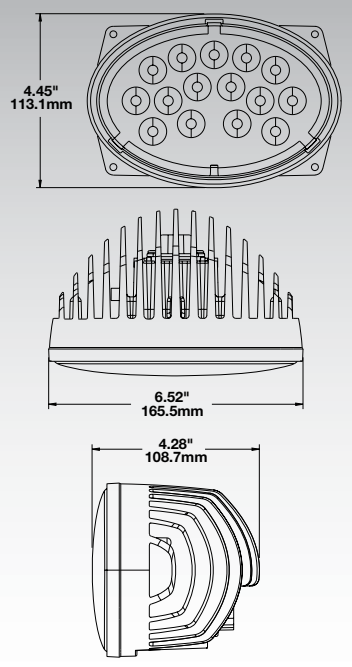
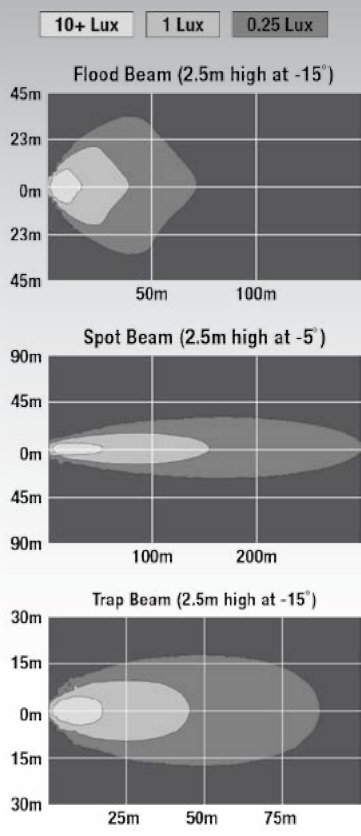
**Mating Connector:** 2-Pin Deutsch Weather-Proof Plug (DT06-2S)

---

**Standards:** SAE J1455 (Environmental), ECE Reg. 10 (Radiated Emissions), Buy America Compliant, Sealed to IP67

---

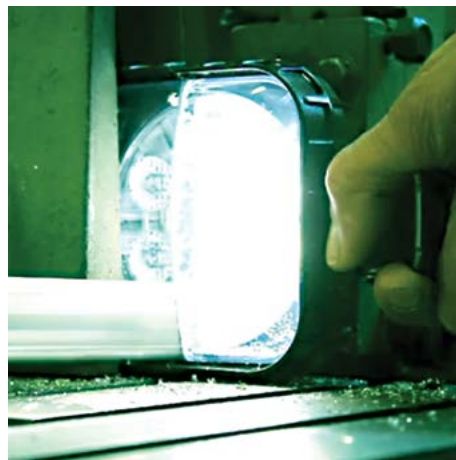
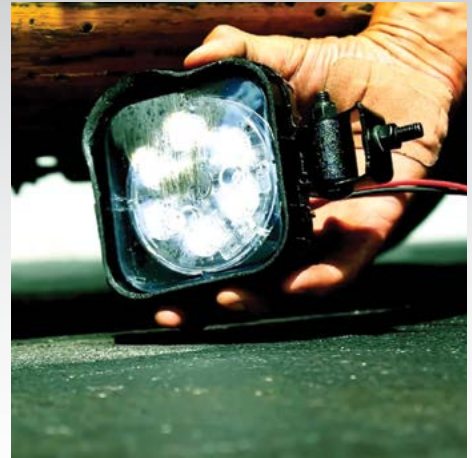
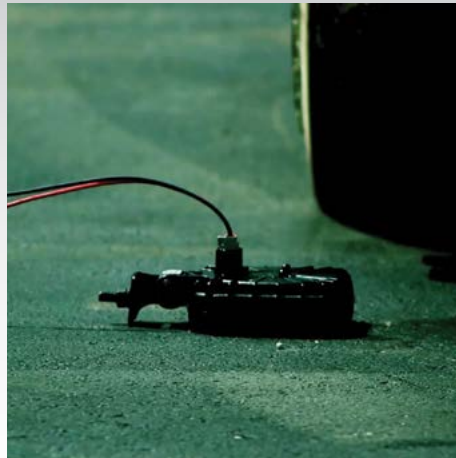
**Mounting:** Universal pedestal mount



| Pattern | Additional Information | Voltage   | Lens  | Part #  |
|---------|------------------------|-----------|-------|---------|
| Flood   |                        | 12-24V DC | Glass | 1801411 |
| Trap    |                        | 12-24V DC | Glass | 1801401 |

# Torture Tested

## XD Series LED Worklights



Scan the QR code to the left, or go to our YouTube channel (JWSpeakerCorporation), and see all of the torture tests for yourself.

# XD SERIES

Forward Lighting

Worklights

Emergency & Warning

Interior

Signal Lights

Thermal Imaging

Electronics

Heavy Duty Light Bars

Vehicle Identification

Service Parts

Reference

# Model 8475

## LED Handheld Worklight



The incredibly durable Model 8475 takes the power of a J.W. Speaker worklight and puts it in the palm of your hand—allowing you to light up places that other worklights cannot reach. Powered by an internal, rechargeable battery that can be charged almost anywhere, the Model 8475 LED handheld worklight will give you 6+ hours of continuous light on a single charge. An indicator light on the handle tells you when the battery is low, plugged in and charging, or fully charged.

Available in either a flood or spot beam pattern configuration, the Model 8475 uses state-of-the-art LEDs to produce 1,050 Raw (700 Effective) Lumens of bright, white light. Thanks to an impact-resistant nylon housing and a UV-resistant polycarbonate lens, the Model 8475 can withstand being dropped, and won't rust or corrode over time. Over/undervoltage protection safeguards and extends the life of the internal battery, and integrated thermal protection prevents the light from overheating. Inside and out, the Model 8475 will stand up to rough use that no flashlight or bulb-based worklight could ever survive!

The Model 8475 comes complete with a 12V DC vehicle charging cord, 120V AC wall charging unit, and a durable carrying case which easily holds the light and both charging options. Altogether, the Model 8475 makes it easier than ever to get light exactly where you need it.

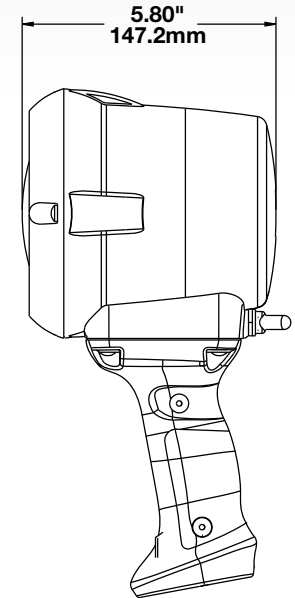
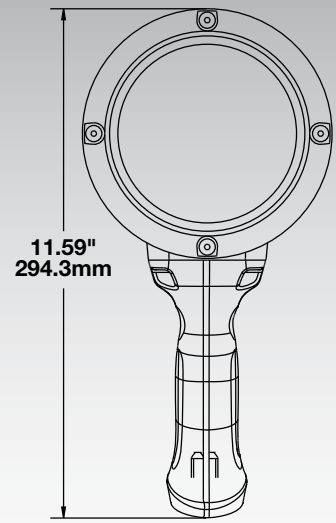
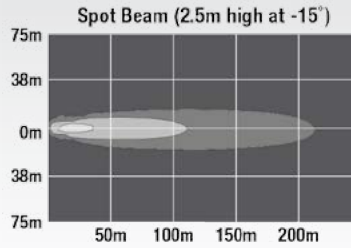
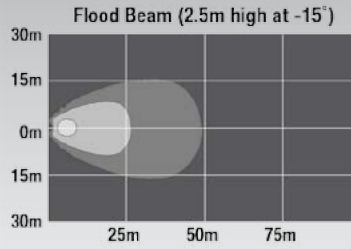


# Model 8475

## LED Handheld Worklight



10+ Lux    1 Lux    0.25 Lux



- Light Source:** LED

---

- Raw Output:** 1,050 Lumens

---

- Effective Output:** 770 Lumens

---

- Battery Life:** 6+ hours at full charge

---

- Charging Time:** 6 hours with wall charger; 8 hours with vehicle charger

---

- Weight:** 3.10 lbs

---

- Standards:** Buy America Compliant

---

- Special Note:** Includes 100-240V AC wall charger, 6' vehicle charging cord (12V DC), and protective carrying case. The worklight is covered with the Lifetime Limited Warranty. The battery pack is covered with a 1-year limited warranty.

| Pattern | Additional Information               | Voltage | Lens          | Part #  |
|---------|--------------------------------------|---------|---------------|---------|
| Flood   |                                      | 12V DC  | Polycarbonate | 0548561 |
| Spot    |                                      | 12V DC  | Polycarbonate | 0548551 |
|         | Replacement 6' Vehicle Charging Cord | 12V DC  |               | 3267220 |

# Models 9710 & 9720

## 4" x 6" HID Worklight



**Light Source:** HID

**Raw Output:** 3,300 Lumens

**Effective Output:** 2,400 Lumens

**Input Voltage:** 12V or 24V DC

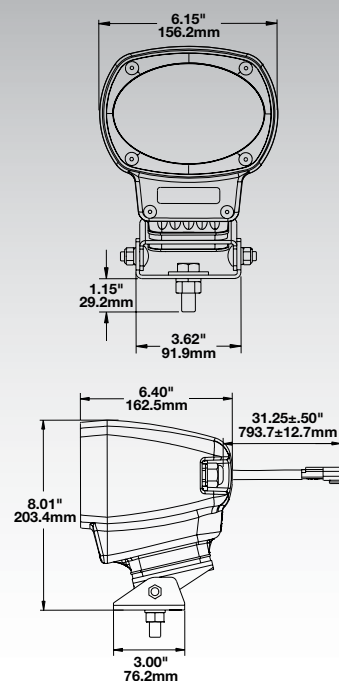
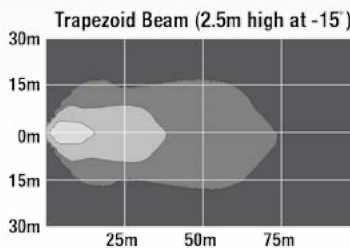
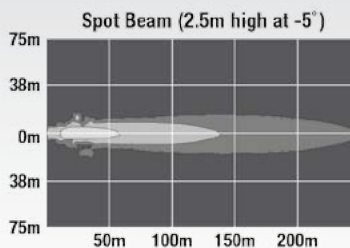
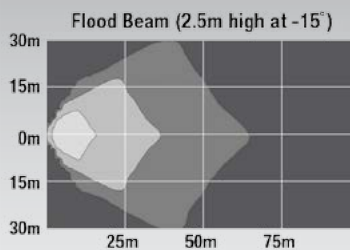
**Current Draw:** 3.18 Amps @ 12V DC; 1.59 Amps @ 24V DC

**Mating Connector:** 2-Pin Deutsch Weather-Proof Plug (DT06-2S)

**Standards:** Buy America Compliant, Sealed to IP68

**Mounting:** Universal pedestal mount

10+ Lux 1 Lux 0.25 Lux



| Pattern | Additional Information                        | Voltage | Lens  | Part #  |
|---------|---|---------|-------|---------|
| Flood   | Model 9710                                    | 12V DC  | Glass | 1703121 |
| Flood   | Model 9720                                    | 24V DC  | Glass | 1703151 |
| Spot    | Model 9710                                    | 12V DC  | Glass | 1703141 |
| Spot    | Model 9720                                    | 24V DC  | Glass | 1703161 |
| Trap    | Model 9710                                    | 12V DC  | Glass | 1703131 |
| Trap    | Model 9720                                    | 24V DC  | Glass | 1703171 |
|         | Model 9710/9720 Flood Lens Reflector Assembly |         |       | 3155021 |
|         | Model 9710/9720 Spot Lens Reflector Assembly  |         |       | 3155031 |
|         | Model 9710/9720 Trap Lens Reflector Assembly  |         |       | 3155041 |



## Check Out Our Online Spec Sheets


While many customers utilize our print catalog as a resource for product information, we highly recommend that you also take advantage of the information available on our website. Our website features detailed product specification sheets which are more in-depth than the information you'll find in our printed catalog.

## The Anatomy of a J.W. Speaker Spec Sheet

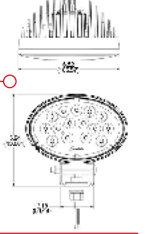
### Model Information

**Model 7150**  
5" x 7" Oval LED Worklight

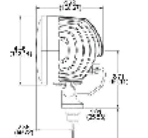
**Product Image**



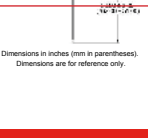
**Dimension Drawing**



**Standards Compliance**



**Additional Information**



**Product List**

| Model Number | Description       |
|--------------|-------------------|
| 7150-12V     | 12V LED Worklight |
| 7150-24V     | 24V LED Worklight |

**Features & Benefits**

- 4,500 Raw Lumens; 3,000 Effective Lumens
- Available in 12V DC or 24V DC configurations
- Flood, Spot & Trapezoidal beam patterns available
- Your choice of durable glass or polycarbonate (amber or clear) lens options
- Rugged solid state LEDs can withstand shock & vibration
- Long-lasting LEDs mean never having to replace another bulb again!
- Die-cast magnesium housing provides maximum protection
- Universal pedestal mount
- Available in a Combine Retrofit Kit (see online Photo Gallery)
- Overvoltage Protection: 150V peak for 400ms duration; 5 pulses at a 10s interval
- "XL" version for extreme industrial conditions also available

**General Specifications**

|                            |   |
|----------------------------|---|
| <b>Lens Pattern :</b>      | Flood, Spot, or Trapezoidal                             |
| <b>Lens Material :</b>     | Glass or Polycarbonate                                  |
| <b>Housing Material :</b>  | Die-Cast Magnesium                                      |
| <b>Mounting Hardware :</b> | (x1) 1/2" Mounting Bolt                                 |
| <b>Mounting :</b>          | Universal Pedestal Mount                                |
| <b>Connector :</b>         | Integrated 2-Pin Deutsch Weather-Proof Socket (DT04-2P) |
| <b>Mating Connector :</b>  | 2-Pin Deutsch Weather-Proof Plug (DT06-2S)              |

**Technical Specifications**

| 12V Version                   | 24V Version                   |
|-------------------------------|-------------------------------|
| 12V DC Input                  | 24V DC Input                  |
| 8-16V DC Operating Voltage    | 20-32V DC Operating Voltage   |
| 6.50 Amps @ 12V DC            | 3.00 Amps @ 24V DC            |
| Raw Lumen Output: 4,500       | Raw Lumen Output: 4,500       |
| Effective Lumen Output: 3,000 | Effective Lumen Output: 3,000 |

**Standards Compliance**

|                       |           |
|-----------------------|-----------|
| Buy America Compliant | SAE J575  |
| SAE J1113             | SAE J1455 |
| Sealed to IP67        |           |

**Applications**

|              |                  |               |
|--------------|------------------|---------------|
| Agricultural | Construction     | Fire & Rescue |
| Forestry     | Industrial       | Lawn & Garden |
| Military     | Mining           | Off-Highway   |
| Recreational | Specialty Trucks | Utility       |

**Additional Info**

Wires: Red-Positive, Black-Negative  
Transient Spike Protection: 150V Peak @ 1 Hz-100 Pulses

Dimensions in inches (mm in parentheses).  
Dimensions are for reference only.

J.W. Speaker Corporation Germantown, WI 53022 • www.jwspeaker.com • 262-251-6660 • speaker@jwspeaker.com

**Product Configurations**

**Features & Benefits**

**General Specifications**

**Technical Specifications**

**Application Recommendations**

**Contact Information**

# Emergency & Warning

## Flashing Lights



Model 146  
Page 92



Model 541  
Page 99

---

## Strobe Lights



Model 284  
Page 93



Models 400/401  
Page 94



Model 404  
Page 95



Model 405  
Page 96



Models 538/539  
Page 98



Model 601  
Page 100



Model 601 XL  
Page 101

---

## Spot Lights



Model 527 RED  
Page 97



Models 770 BLU/RED  
Page 102

# Why Buy J.W. Speaker Emergency and Warning Lights?

## Safety First

J.W. Speaker Corporation understands that safety is always the #1 priority, and visibility is a huge part of workplace safety. Using the latest in LED technology, we're able to help prevent accidents by increasing visibility in the workplace. For example, a fast-approaching forklift from around an otherwise blind corner doesn't have to result in an injury thanks to products like our new Model 770 BLU or Model 770 RED, which project a bright blue or red dot on the ground in front of the forklift to warn pedestrians of an incoming forklift. Other products like our flashing, strobe, and rotating warning lights increase visibility and help to create a safer work environment.

## Designed to Last

We recognize that emergency and warning lights need to be reliable, which is why we design ours to function in even the most adverse conditions. We select only the highest quality materials for our lenses and housings because we understand that their lifespan and dependability directly translate to a safer work environment for you. You can trust J.W. Speaker emergency and warning lights to be up to the task.

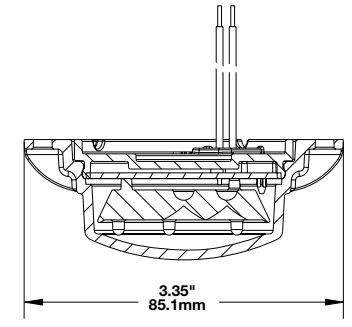
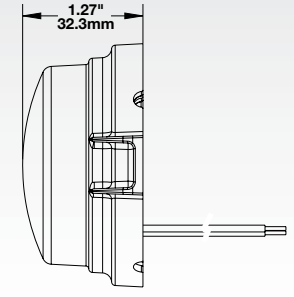
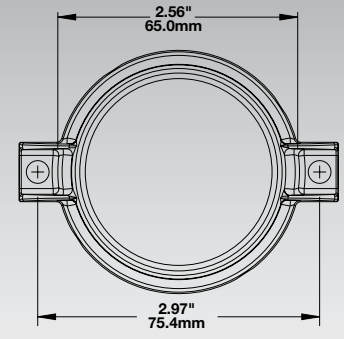
## Lifetime Limited Warranty

All of our LED emergency and warning lights are covered by a Lifetime Limited Warranty against defects in materials, components, and workmanship. To learn more about the Lifetime Limited Warranty, see page 158.



# Model 146

## 3" LED Flashing Warning Light



**Light Source:** LED

---

**Input Voltage:** 12-48V DC

---

**Current Draw:** 0.07 - 0.10 Amps @ 12V DC;  
 0.03 - 0.05 Amps @ 24V DC; 0.02 - 0.03 Amps @ 36V DC;  
 0.01 - 0.03 Amps @ 48V DC

---

**Standards:** UL 583, Buy America Compliant, Sealed to IP67

---

**Mounting:** Low profile mount

| Function | Additional Information | Voltage   | Lens                | Part #  |
|----------|------------------------|-----------|---------------------|---------|
| Flasher  |                        | 12-48V DC | Amber Polycarbonate | 0646321 |

# Model 284

## 2" x 9" Low Profile LED Strobe Light



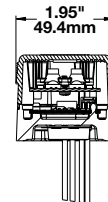
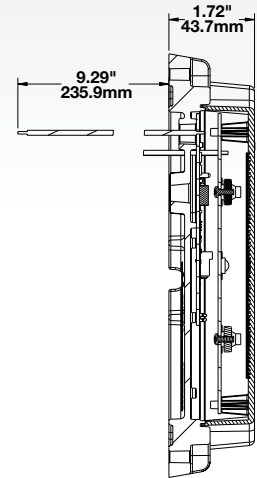
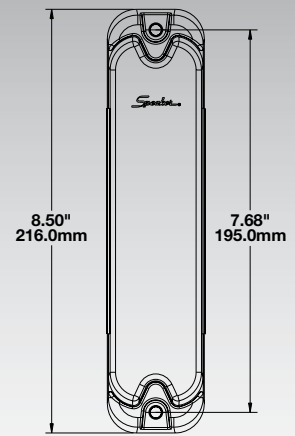
**Light Source:** LED

**Input Voltage:** 12-48V DC

**Current Draw:** 0.50 Amps @ 12V DC; 0.25 Amps @ 24V DC;  
0.18 Amps @ 36V DC; 0.13 Amps @ 48V DC

**Standards:** SAE J845 (Warning-Class 3), UL Recognized,  
Buy America Compliant, Sealed to IP67

**Mounting:** Low profile mount



Forward  
Lighting

Worklights

Emergency  
& Warning

Interior

Signal Lights

Thermal  
Imaging

Electronics

Heavy Duty  
Light Bars

Vehicle  
Identification

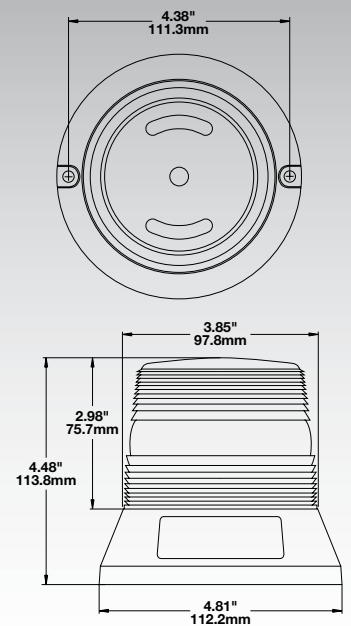
Service  
Parts

Reference

| Function   | Additional Information | Voltage   | Lens          | Part #  |
|------------|------------------------|-----------|---------------|---------|
| SAE Strobe | Amber Light            | 12-48V DC | Clear Acrylic | 0645661 |
| SAE Strobe | Blue Light             | 12-48V DC | Clear Acrylic | 0645761 |
| SAE Strobe | Red Light              | 12-48V DC | Clear Acrylic | 0645751 |

# Models 400 & 401

## 5" Strobe Light



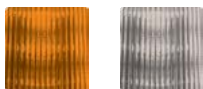
**Light Source:** Flash Tube

**Input Voltage:** 12-80V DC

**Current Draw:** 0.15 Amps @ 80V DC

**Standards:** CE Recognized, UL Recognized,  
Buy America Compliant

**Mounting:** Universal or magnetic mount

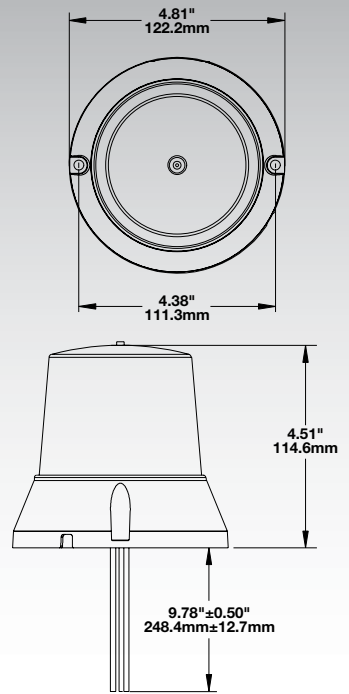


Available in Amber or Clear Lens

| Function | Additional Information                                | Voltage   | Lens                | Part #  |
|----------|---|-----------|---------------------|---------|
| Strobe   | Model 400 w/ Universal Mount                          | 12-80V DC | Amber Polycarbonate | 0644051 |
| Strobe   | Model 400 w/ Universal Mount                          | 12-80V DC | Clear Polycarbonate | 0644041 |
| Strobe   | Model 401 w/ Magnet Mount & 12' Vehicle Charging Cord | 12-80V DC | Amber Polycarbonate | 0644111 |

# Model 404

## 5" LED Strobe Light



**Light Source:** LED

**Input Voltage:** 12-24V or 9-110V DC

**Current Draw:**

**12-24V Version:** 1.00 Amps @ 12V DC; 0.60 Amps @ 24V DC

**9-110V DC Version:** 0.32 Amps @ 12V DC;

0.16 Amps @ 24V DC; 0.14 Amps @ 36V DC;

0.11 Amps @ 48V DC; 0.09 Amps @ 60V DC;

0.08 Amps @ 80V DC; 0.07 Amps @ 110V DC

**Flash Rate:**

**12-24V and 36-80V Version:** Mode 1: 240 fpm; Mode 2: 340 fpm;  
Mode 3: 540 fpm; Mode 4: Rotating Beacon

**9-110V DC Version:** Mode 1: 240 fpm; Mode 2: 340 fpm;  
Mode 3: 540 fpm; Mode 4: 90 fpm;

Mode 5: Rotating Beacon

**Standards:** SAE J575 (Strobe), SAE J845 (Warning-Class 2,  
Mode 1 Amber Only), Buy America Compliant, Sealed to IP67

**Mounting:** Gasket, magnetic, or universal mount



Available in Amber, Red or Blue Lens

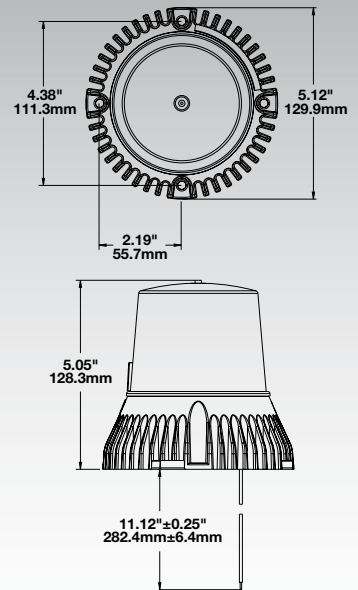
**3-Point Mounting Assembly**



| Function   | Additional Information                | Voltage   | Lens          | Part #  |
|------------|---------------------------------------|-----------|---------------|---------|
| SAE Strobe | 4 Modes w/ Gasket Mount               | 12-24V DC | Amber Acrylic | 0646101 |
| SAE Strobe | 4 Modes w/ Magnetic Mount             | 12-24V DC | Amber Acrylic | 0645781 |
| SAE Strobe | 4 Modes w/ Universal Mount            | 12-24V DC | Amber Acrylic | 0645201 |
| SAE Strobe | 4 Modes w/ Universal Mount            | 12-24V DC | Blue Acrylic  | 0645271 |
| SAE Strobe | 5 Modes w/ Universal Mount            | 9-110V DC | Red Acrylic   | 0646301 |
|            | 3-Point Mounting Adapter Assembly Kit |           |               | 8000301 |

# Model 405

## 5" LED Strobe Light



**Light Source:** LED

**Input Voltage:** 12-80V DC

**Current Draw:** 1.00 Amps @ 12V DC; 0.60 Amps @ 24V DC; 0.55 Amps @ 36V DC; 0.40 Amps @ 48V DC; 0.27 Amps @ 72V DC; 0.22 Amps @ 80V DC

**Flash Rate:**

**2-Mode Version:** Mode 1: 510 fpm; Mode 2: Rotating Beacon

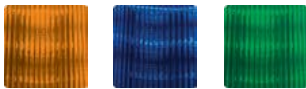
**5-Mode Version:** Mode 1: 510 fpm; Mode 2: 240 fpm;

Mode 3: 540 fpm; Mode 4: 340 fpm; Mode 5: Rotating Beacon

**Standards:** SAE J845 (Warning-Class 1, Mode 1 Amber Only), ECE Reg. 10 (Radiated Emissions), CE CISPR 12 & 22, ECE Reg. 65 (Mode 1 Amber Only), Buy America Compliant, Sealed to IP67

**Mounting:** Universal or magnetic mount

**Special Note:** 0646061 has a ground wire and 2 power wires (1 for strobe mode and 1 for rotating mode)



Available in Amber, Blue, or Green Lens

### 3-Point Mounting Assembly



| Function       | Additional Information                              | Voltage   | Lens          | Part #  |
|----------------|---|-----------|---------------|---------|
| ECE/SAE Strobe | 2 Modes w/ Universal Mount                          | 12-80V DC | Amber Acrylic | 0646061 |
| ECE/SAE Strobe | 5 Modes w/ Universal Mount                          | 12-80V DC | Amber Acrylic | 0645531 |
| Strobe         | 5 Modes w/ Universal Mount                          | 12-80V DC | Blue Acrylic  | 0645731 |
| Strobe         | 5 Modes w/ Universal Mount                          | 12-80V DC | Green Acrylic | 0645721 |
| ECE/SAE Strobe | 5 Modes w/ Magnet Mount & 12' Vehicle Charging Cord | 12-80V DC | Amber Acrylic | 0646121 |
|                | 3-Point Mounting Adapter Assembly Kit               |           |               | 8000301 |



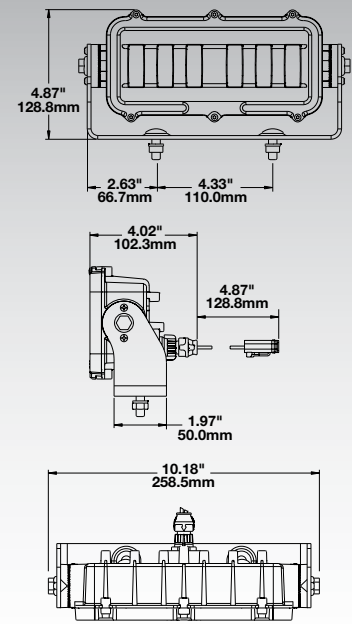
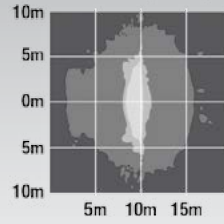
# Model 527 RED

## 5" x 10" LED "Keep Out" Zone Light



10+ Lux    1 Lux    0.25 Lux

"Keep Out" Pattern (6m high at 0°)



**Light Source:** LED

**Raw Output:** 720 Lumens

**Effective Output:** 670 Lumens

**Input Voltage:** 12-24V DC

**Current Draw:** 1.60 Amps @ 12V DC; 0.85 Amps @ 24V DC

**Mating Connector:** Integrated 2-Pin Deutsch Weatherproof Socket (DT04-2P)

**Standards:** Buy America Compliant, Sealed to IP69K

**Mounting:** Universal pedestal mount

**Special Note:** This product projects a large red beam pattern onto the ground to warn pedestrians and vehicles in dangerous work areas

| Function                  | Additional Information | Voltage   | Lens  | Part #  |
|---------------------------|------------------------|-----------|-------|---------|
| Red "Keep Out" Zone Light |                        | 12-24V DC | Glass | 0549271 |

Forward Lighting

Worklights

Emergency & Warning

Interior

Signal Lights

Thermal Imaging

Electronics

Heavy Duty Light Bars

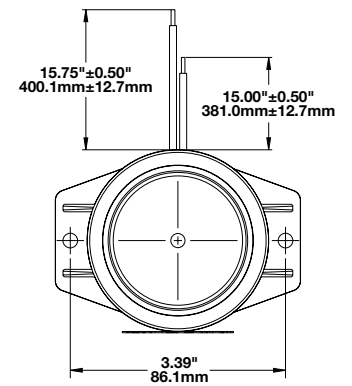
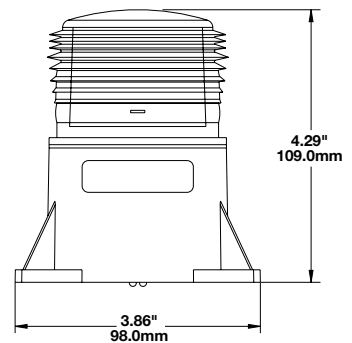
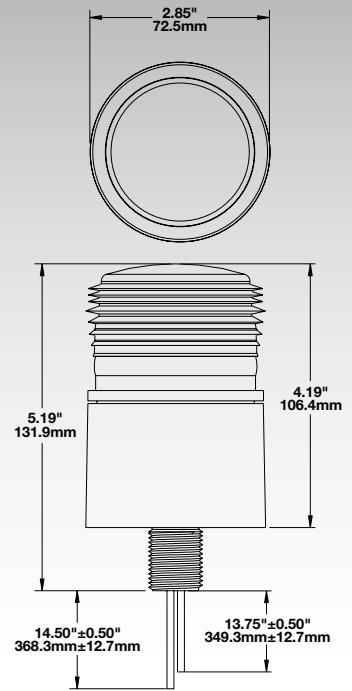
Vehicle Identification

Service Parts

Reference

# Models 538 & 539

## 3" LED Strobe Light



**Model 538 Light Source:** LED

**Input Voltage:** 12-80V DC

**Current Draw:** 0.50 Amps @ 12V DC; 0.20 Amps @ 48V DC

**Flash Rate:** 60 +/- 10 fpm

**Standards:** SAE J845 (Warning-Class 3), UL Recognized, Buy America Compliant

**Mounting:** Pipe mount

**Model 539 Light Source:** LED

**Input Voltage:** 12-80V DC

**Current Draw:** 0.50 Amps @ 12V DC; 0.20 Amps @ 48V DC

**Flash Rate:** 60 +/- 10 fpm

**Standards:** SAE J845 (Warning-Class 3, Amber Only), UL Recognized, Buy America Compliant

**Mounting:** Flange mount

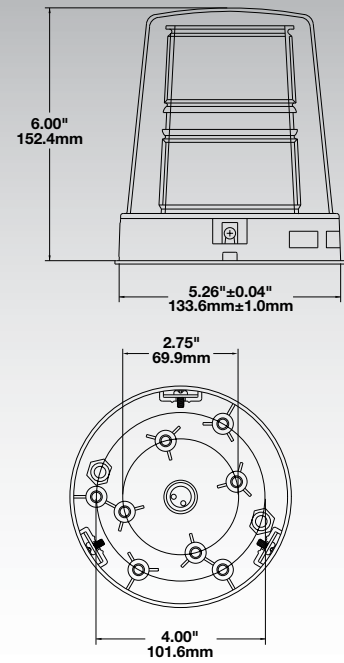


Available in Amber, Blue, Red, Green, or Clear Lens

| Function   | Additional Information | Voltage   | Lens          | Part #  |
|------------|------------------------|-----------|---------------|---------|
| SAE Strobe | Model 538              | 12-80V DC | Amber Acrylic | 0645011 |
| SAE Strobe | Model 539              | 12-80V DC | Amber Acrylic | 0644871 |
| SAE Strobe | Model 539              | 12-80V DC | Blue Acrylic  | 0645111 |
| SAE Strobe | Model 539              | 12-80V DC | Clear Acrylic | 0645161 |
| SAE Strobe | Model 539              | 12-80V DC | Green Acrylic | 0645101 |
| SAE Strobe | Model 539              | 12-80V DC | Red Acrylic   | 0645091 |

# Model 541

## 5" Incandescent Flashing Warning Light



- Light Source:** Incandescent Blub

---

- Input Voltage:** 12V DC

---

- Current Draw:** 2.00 Max Amps @ 12V DC

---

- Flash Rate:** 60-80 fpm

---

- Standards:** UL Recognized, Buy America Compliant

---

- Mounting:** Flush mount

Forward Lighting

Worklights

Emergency & Warning

Interior

Signal Lights

Thermal Imaging

Electronics

Heavy Duty Light Bars

Vehicle Identification

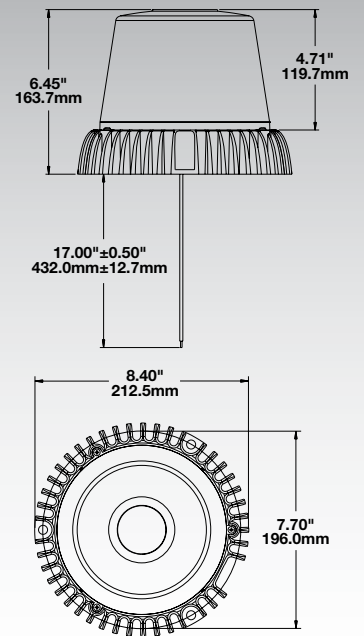
Service Parts

Reference

| Function | Additional Information | Voltage | Lens                | Part #  |
|----------|------------------------|---------|---------------------|---------|
| Flashing |                        | 12V DC  | Amber Polycarbonate | 0641901 |

# Model 601

## 8" LED Strobe Light



**Light Source:** LED

**Input Voltage:** 12-24V DC or 120-240V AC

**Current Draw:** 3.70 Amps @ 12V DC; 2.00 Amps @ 24V DC; 0.40 Amps @ 120V AC; 0.20 Amps @ 240V AC

**Flash Rate:**

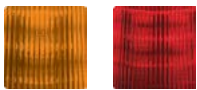
**Rotating Beacon Version:** N/A

**2-Mode Version:** Mode 1: 510 fpm; Mode 2: 252 fpm

**3-Mode Version:** Mode 1: 510 fpm; Mode 2: 252 fpm; Mode 3: Rotating Beacon

**Standards:** ECE Reg. 65 (Mode 1, Amber Only), SAE J845 (Warning-Class 1, Mode 1 Amber Only), UL Listed (120-240V AC versions Only), Buy America Compliant, Sealed to IP67

**Mounting:** Universal mount



Available in Amber or Red Lens

| Function                | Additional Information | Voltage     | Lens                | Part #  |
|-------------------------|------------------------|-------------|---------------------|---------|
| ECE/SAE Rotating Beacon |                        | 120-240V AC | Amber Polycarbonate | 0643161 |
| ECE/SAE Strobe          | 2 Modes                | 120-240V AC | Amber Polycarbonate | 0643171 |
| ECE/SAE Strobe          | 3 Modes                | 12-24V DC   | Amber Polycarbonate | 0643151 |
| Strobe                  | 3 Modes                | 12-24V DC   | Red Polycarbonate   | 0646281 |

# Model 601 XL

## 8" LED Strobe Light



**XL**  
SERIES

**Light Source:** LED

**Input Voltage:** 12-24V DC

**Current Draw:** 3.70 Amps @ 12V DC; 2.00 Amps @ 24V DC

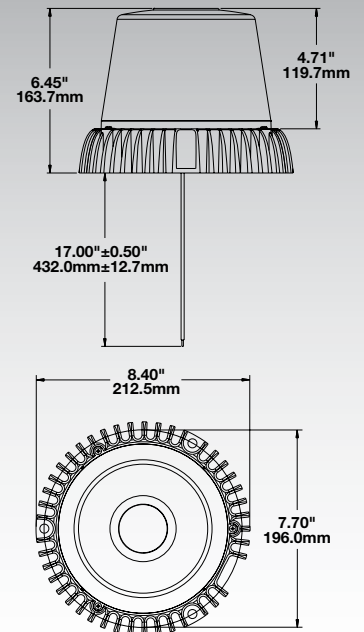
**Flash Rate:** Mode 1: 510 fpm; Mode 2: 252 fpm;  
Mode 3: Rotating Beacon

**Standards:** ECE Reg. 65 (Mode 1 Amber Only),  
SAE J845 (Warning-Class 1, Mode 1 Amber Only),  
Buy America Compliant, Sealed to IP69K

**Mounting:** Universal mount



Available in Amber, Blue, or Green Lens



| Function       | Additional Information | Voltage   | Lens                | Part #  |
|----------------|------------------------|-----------|---------------------|---------|
| ECE/SAE Strobe | 3 Modes                | 12-24V DC | Amber Polycarbonate | 0646241 |
| Strobe         | 3 Modes                | 12-24V DC | Blue Polycarbonate  | 0646251 |
| Strobe         | 3 Modes                | 12-24V DC | Green Polycarbonate | 0646261 |

Forward Lighting

Worklights

Emergency & Warning

Interior

Signal Lights

Thermal Imaging

Electronics

Heavy Duty Light Bars

Vehicle Identification

Service Parts

Reference

# Models 770 BLU & 770 RED

## 3" x 5" LED Spot Light



## Introducing Two New Visual Safety Devices

Specifically designed for the material handling industry, the Model 770 BLU and Model 770 RED represent a new way of thinking about visual safety devices.

Traditional visual warning devices (ex. strobes) are most effective when a pedestrian is able to see the forklift coming. If they are not paying close attention or if there is a blind corner present, traditional visual warning devices really don't contribute much to preventing an accident.

The Model 770 BLU and 770 RED don't rely at all on pedestrians being able to see the forklift. Instead, they project a bright, highly concentrated beam pattern on the ground in the direction that the forklift is moving. We use red and blue because studies have shown that they are two of the most noticeable colors to the human eye.

### Features & Benefits

- Impact- and corrosion-resistant polycarbonate lens & housing
- Universal mounting bracket makes installation simple
- Long-lasting LEDs are extremely resistant to shock & vibration
- 770 RED emits a red light; 770 BLU emits a blue light
- Lifetime Limited Warranty provides peace of mind
- Extremely low current draw
- 12-48V DC multi-voltage configuration
- Sealed to IP67 to keep out dust & water
- Low profile for mounting in tight spaces

### Material Handling Spot Light Usage Standards

- One unit should be mounted to both the front & back of vehicle
- Recommended beam pattern intensity: 830+ Lux (on the ground)
- Recommended mounting height: 6' 8"-8' 4" (~2.0m-2.5m)
- Recommended beam pattern distance: 14' 9"-17' 11" (~4.5m-5.5m)

# Models 770 BLU & 770 RED

## 3" x 5" LED Spot Light



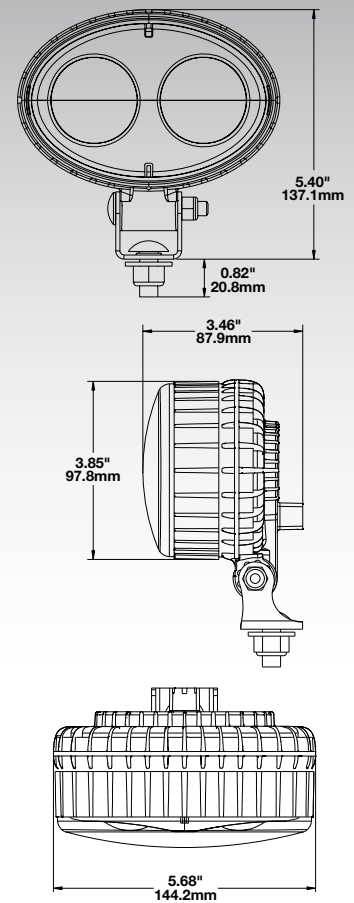
**Light Source:** LED

**Input Voltage:** 12-48V DC

**Current Draw:** 0.60 Amps @ 12V DC; 0.30 Amps @ 24V DC;  
0.19 Amps @ 36V DC; 0.14 Amps @ 48V DC

**Standards:** SAE J1455 (Environmental), ECE Reg. 10 (Radiated Emissions), CE Recognized, UL Recognized, Buy America Compliant, Sealed to IP67

**Mounting:** Universal pedestal mount



| Function | Additional Information                     | Voltage   | Lens          | Part #  |
|----------|--|-----------|---------------|---------|
| Spot     | Blue Spot                                  | 12-48V DC | Polycarbonate | 1706311 |
| Spot     | Red Spot                                   | 12-48V DC | Polycarbonate | 1706441 |
|          | 12" Wire Assembly for Blue & Red Spot      |           |               | 3267041 |
|          | Replacement Mounting Kit - Black           |           |               | 8200121 |
|          | Replacement Mounting Kit - Stainless Steel |           |               | 8200101 |

# Interior Lights

## Dome Lights



Model 150  
Page 106



Model 282  
Page 108



Models 410/411  
Page 110



Model 412  
Page 111



Model 417  
Page 112



Model 419  
Page 113

---

## Compartment Lights



Model 408  
Page 109

---

## Courtesy Lights



Model 186  
Page 107



# Why Buy J.W. Speaker Interior Lights?

## The Power of LEDs

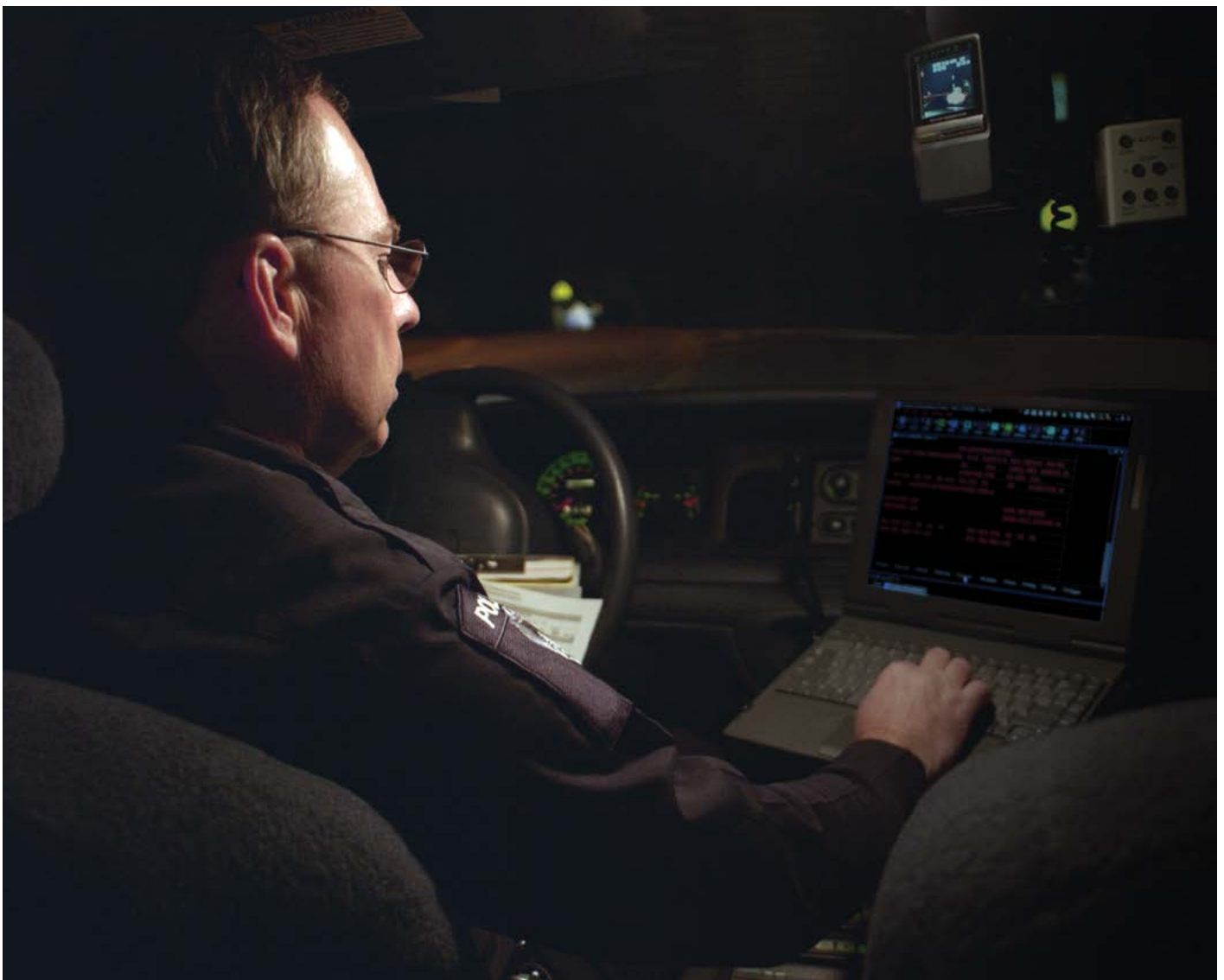
J.W. Speaker's interior LED lighting products offer an effective way to save energy while providing superior visibility inside of your vehicle. Our interior lights feature state-of-the-art LEDs that give you a noticeably brighter look at your vehicle's interior, while using less energy than traditional bulb-based lighting. Additionally, LEDs will last longer and stand up to shock and vibration that typically causes bulb-based lights to prematurely fail.

## Low Light Solutions

For law enforcement and similar applications where you need to exit your vehicle and immediately carry out an action, we have products that offer the benefit of emitting a soft red light. This prevents your eyes from experiencing the temporary blindness of having to adjust from high to low lighting and can also help you to see the inside of your vehicle while driving without losing visibility of the road.

## Peace of Mind

All our LED interior lights come with a Lifetime Limited Warranty and are proudly made in the U.S.A. at our Germantown, Wisconsin headquarters. You can read more about the Lifetime Limited Warranty on page 158.



Forward Lighting

Worklights

Emergency &amp; Warning

Interior

Signal Lights

Thermal Imaging

Electronics

Heavy Duty Light Bars

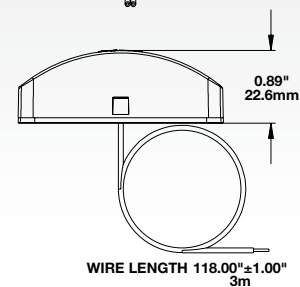
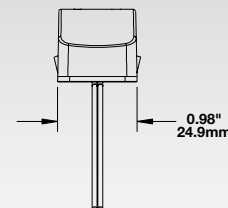
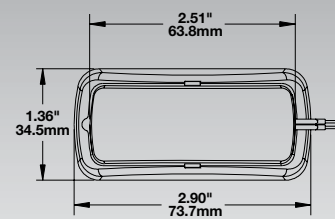
Vehicle Identification

Service Parts

Reference

# Model 150

## 1" x 3" LED Dome Light



**Light Source:** LED

**Input Voltage:** 12-24V DC

**Current Draw:** 0.06 Amps @ 12V DC; 0.06 Amps @ 24V DC

**Standards:** Buy America Compliant

**Mounting:** Low profile mount

| Voltage   | Additional Information             | Lens    | Part #  |
|-----------|------------------------------------|---------|---------|
| 12-24V DC | Light Only                         | Acrylic | 0443051 |
|           | Optional Mounting Bracket Assembly |         | 5856032 |

# Model 186

## 2" x 3" LED Utility Light



**Light Source:** LED

---

**Input Voltage:** 12-24V DC

---

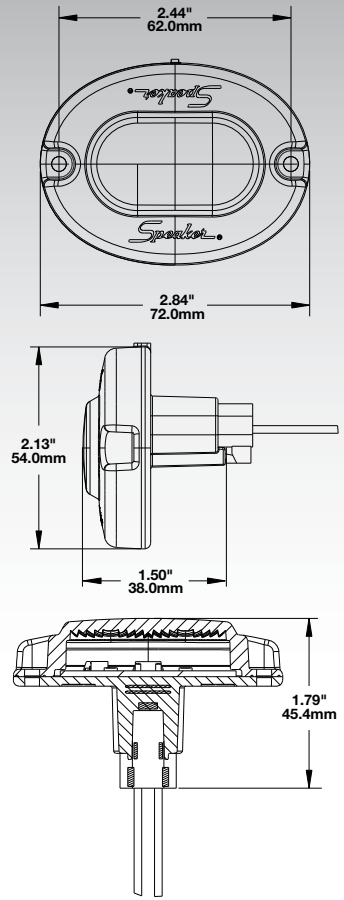
**Current Draw:** : 0.11 Amps @ 12V DC; 0.11 Amps @ 24V DC

---

**Standards:** Buy America Compliant, Sealed to IP67

---

**Mounting:** Low profile mount



Forward Lighting

Worklights

Emergency & Warning

Interior

Signal Lights

Thermal Imaging

Electronics

Heavy Duty Light Bars

Vehicle Identification

Service Parts

Reference

| Voltage   | Additional Information | Lens          | Part #  |
|-----------|------------------------|---------------|---------|
| 12-24V DC |                        | Polycarbonate | 0442641 |

Forward Lighting

Worklights

Emergency &amp; Warning

Interior

Signal Lights

Thermal Imaging

Electronics

Heavy Duty Light Bars

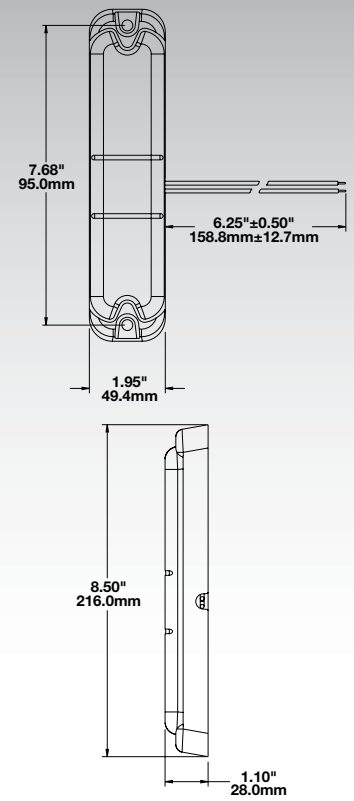
Vehicle Identification

Service Parts

Reference

# Model 282

## 2" x 9" LED Dome Light



**Light Source:** LED

**Input Voltage:** 12-24V DC

**Current Draw:** 0.50 Amps @ 12V; 0.50 Amps @ 24V

**Standards:** Buy America Compliant, Sealed to IP66

**Mounting:** Low profile mount

| Voltage   | Additional Information | Lens    | Part #  |
|-----------|------------------------|---------|---------|
| 12-24V DC |                        | Acrylic | 0442131 |

# Model 408

## 3" LED Compartment Light



- Light Source:** LED

---

- Input Voltage:** 12-24V DC

---

- Current Draw:** 0.40 Amps @ 12V; 0.21 Amps @ 24V

---

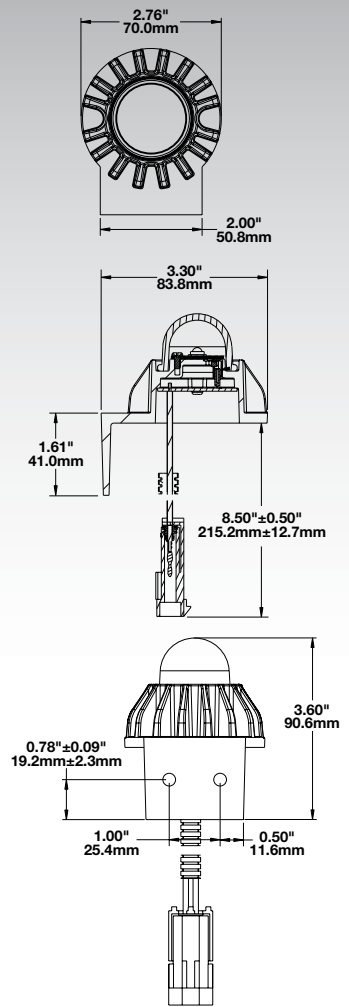
- Standards:** SAE J575 (Compartment), Buy America Compliant, Sealed to IP67

---

- Mounting:** Universal mounting bracket

---

- Special Note:** Lamp automatically shuts down when temperature exceeds 115°C



| Voltage   | Additional Information         | Lens  | Part #  |
|-----------|--------------------------------|-------|---------|
| 12-24V DC | Light with Mounting Bracket    | Glass | 0442501 |
| 12-24V DC | Light without Mounting Bracket | Glass | 0442541 |

# Models 410 & 411

## 3" x 7" LED Dome Light

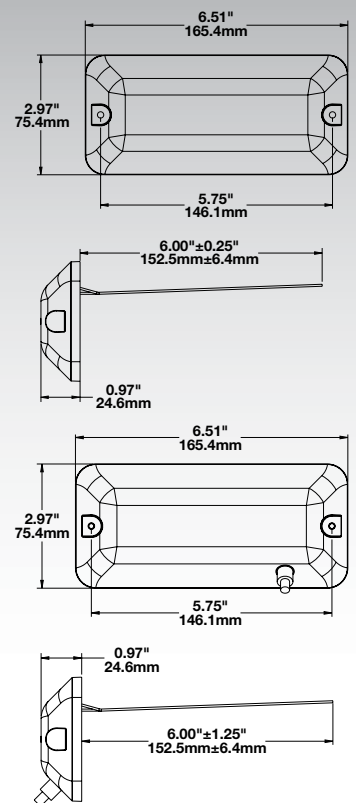


Model 410

Model 411 with rocker switch



Model 411 with On/Off button



**Light Source:** LED

**Input Voltage:** 12-24V DC

**Current Draw:** 0.14 Amps @ 12V DC; 0.09 Amps @ 24V DC

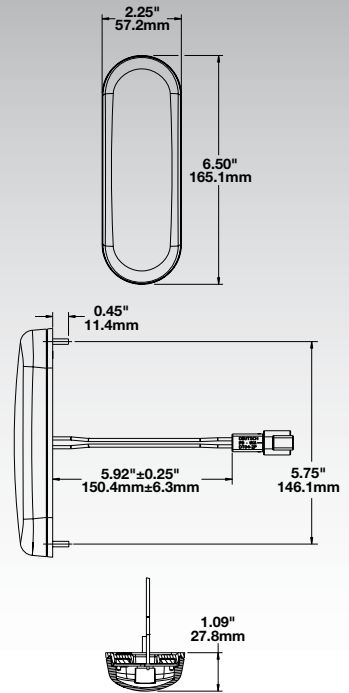
**Standards:** ECE Reg. 10 (Radiated Emissions), Buy America Compliant

**Mounting:** Low profile mount

| Voltage   | Additional Information                   | Lens          | Part #  |
|-----------|--|---------------|---------|
| 12-24V DC | Model 410 without Switch                 | Polycarbonate | 0443271 |
| 12-24V DC | Model 411 with On/Off Button             | Polycarbonate | 0443281 |
| 12-24V DC | Model 411 with On/Off/Door Rocker Switch | Polycarbonate | 0443291 |

# Model 412

## 2" x 7" LED Dome Light



**Light Source:** LED

**Input Voltage:** 12-24V or 12-48V DC

**Current Draw:**

**12-24V Version:** 0.50 Amps @ 12V DC; 0.25 Amps @ 24V DC

**12-48V Version:** 0.50 Amps @ 12V DC; 0.25 Amps @ 24V DC;

0.18 Amps @ 36V DC; 0.13 Amps @ 48V DC

**Standards:** UL Recognized, Buy America Compliant, Sealed to IP67

**Mounting:** Low profile mount

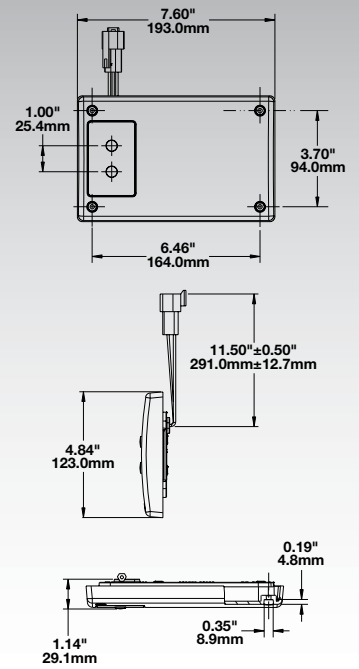
**Special Note:** Light comes with either Deutsch DT04-2P connector or 7" bare leads

| Voltage   | Additional Information                              | Lens          | Part #  |
|-----------|---|---------------|---------|
| 12-24V DC | White without Switch, 7" Bare Leads, no Timer       | Polycarbonate | 0442511 |
| 12-48V DC | White with Switch, Deutsch Connector, 60 sec. Timer | Polycarbonate | 0443041 |
| 12-48V DC | White with Switch, 7" Bare Leads, no Timer          | Polycarbonate | 0443011 |
| 12-48V DC | White with Switch, Deutsch Connector, 60 min. Timer | Polycarbonate | 0443301 |

Forward Lighting  
Worklights  
Emergency & Warning  
Interior  
Signal Lights  
Thermal Imaging  
Electronics  
Heavy Duty Light Bars  
Vehicle Identification  
Service Parts  
Reference

# Model 417

## 5" x 8" Red/White LED Dome Light



**Light Source:** LED

---

**Input Voltage:** 12V, 24V, or 12-24V DC

---

**Current Draw:**

**12V Version:** 0.175 Amps (Red)/ 0.325 Amps (White) @ 12V DC

**24V Version:** 0.175 Amps (Red)/ 0.175 Amps (White) @ 24V DC

**12-24V Version:** 0.175 Amps (Red)/ 0.325 Amps (White) @ 12V DC; 0.175 Amps (Red)/ 0.175 Amps (White) @ 24V DC

---

**Standards:** Buy America Compliant

---

**Mounting:** Low profile mount

---

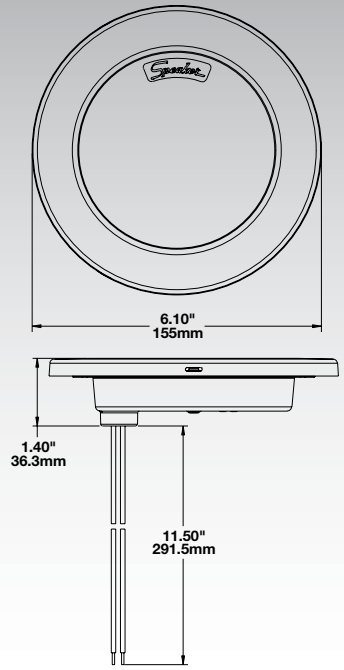
**Special Notes:** Available with or without inner optics. Versions with inner optics provide a more focused pattern, while those without have a wider, smoother beam pattern. White function has two intensity levels, red function has one.

| Voltage   | Additional Information     | Lens    | Part #  |
|-----------|----------------------------|---------|---------|
| 12V DC    | Light with Inner Optics    | Acrylic | 0442261 |
| 24V DC    | Light with Inner Optics    | Acrylic | 0442411 |
| 12-24V DC | Light without Inner Optics | Acrylic | 0443171 |



# Model 419

## 6" LED Dome Light



**Light Source:** LED

**Input Voltage:** 12-24V DC

**Current Draw:**

**Red/White Version:** 0.31 Amps (Red)/  
0.61 (White) Amps @ 12V DC; 0.31 Amps (Red)/  
0.61 Amps (White) @ 24V DC

**White Only Version:** 0.61 Amps @ 12V DC;  
0.62 Amps @ 24V DC

**Standards:** Buy America Compliant, Sealed to IP67

**Mounting:** Low profile mount

| Voltage   | Additional Information | Lens          | Part #  |
|-----------|------------------------|---------------|---------|
| 12-24V DC | Red/White Version      | Polycarbonate | 0442771 |
| 12-24V DC | White Only Version     | Polycarbonate | 0442401 |

Forward Lighting

Worklights

Emergency & Warning

Interior

Signal Lights

Thermal Imaging

Electronics

Heavy Duty Light Bars

Vehicle Identification

Service Parts

Reference

# Signal Lights

## License Plate Illuminators



Model 125  
Page 116



Model 151  
Page 118

## Clearance & Marker



Model 150  
Page 117



Model 170  
Page 120

## Turn Signal



Model 157  
Page 119



Model 206  
Page 121



Model 217  
Page 123



Model 224  
Page 125



Model 232  
Page 126



Model 245  
Page 128



Models 260/261  
Page 129,130



Model 270  
Page 136



Model 775 XD  
Page 143

## Stop, Tail, & Turn Signal



Model 212  
Page 122



Model 223  
Page 124



Model 232  
Page 126



Model 236  
Page 127



Models 260/261  
Page 129,130



Model 262  
Page 130



Model 263  
Page 132



Model 267  
Page 135



Model 283  
Page 140



Model 412  
Page 141

## Stop, Tail, Turn Signal, & Backup



Model 263  
Page 126



Model 265  
Page 133



Model 280  
Page 138



Model 281  
Page 139

## Stop & Tail



Model 206  
Page 121



Model 217  
Page 123



Model 224  
Page 125



Model 245  
Page 128



Model 270  
Page 136



Model 272  
Page 137



Model 6042  
Page 144

## Backup



Model 217  
Page 123



Model 224  
Page 125



Model 232  
Page 126



Model 245  
Page 128



Models 260/261  
Page 129,130

## Rear Fog



Model 217  
Page 123



Model 224  
Page 125



Models 260/261  
Page 129,130

## Front Position & Turn Signal



Model 223  
Page 124



Model 412  
Page 135

## Daytime Running Light & Front Position



Model 217  
Page 123

## Marine



Model 450  
Page 142

# Why Buy J.W. Speaker Signal Lights?

## Reliability

You can rely on our signal lights because they're built to withstand even the most rugged applications such as mining, agriculture, and construction. The LEDs resist shock and vibration better than incandescent signal lights and the housings are designed and manufactured to protect the internal components from the environmental impact of a tough and unforgiving jobsite. Inside and out, you can trust our signal lights to function through whatever you need them for, which is why we back them up with our Lifetime Limited Warranty (learn more about our warranty on page 158).

## Improved Response Time

J.W. Speaker's signal lights boast the latest and greatest in LED technology to emit a highly-visible signal that's more responsive than incandescent signal lights. The slight delay associated with charging and dimming of incandescent signal lights is not at all present in our LED-based signal lights.

## Meeting Standards

Our LED signal lights are made to meet or surpass various regulatory standards. Check the specifications for each product to see which standards it meets, or contact us at +1 262.251.6660, or toll-free at 800.558.7288, for more information.



Forward Lighting  
Worklights  
Emergency & Warning  
Interior  
Signal Lights  
Thermal Imaging  
Electronics  
Heavy Duty Light Bars  
Vehicle Identification  
Service Parts  
Reference

# Model 125

## 2" x 5" LED License Plate Illuminator



**Light Source:** LED

---

**Input Voltage:** 12-24V DC

---

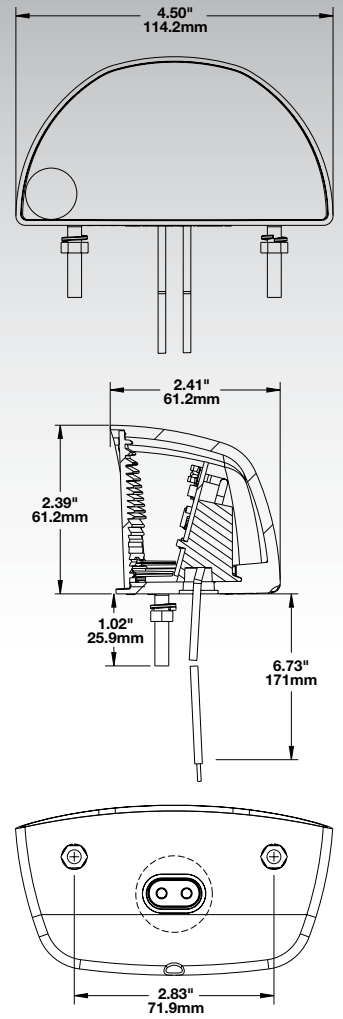
**Current Draw:** 0.23 Max Amps @ 12V DC

---

**Standards:** SAE J587, ECE Reg. 4 (Plate), ECE Reg. 50 (Motorcycles), Buy America Compliant, Sealed to IP67

---

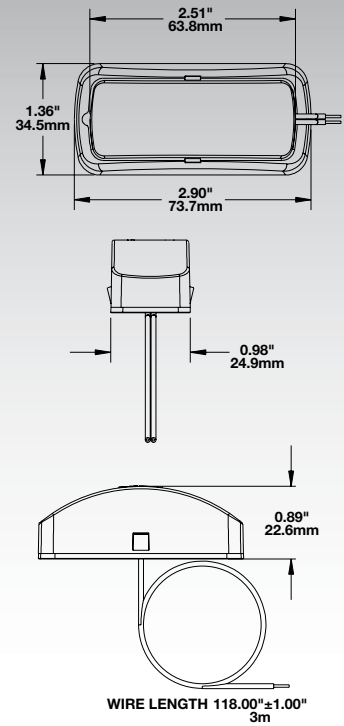
**Mounting:** Low profile mount



| Function                          | Additional Information | Voltage   | Lens          | Part #  |
|-----------------------------------|------------------------|-----------|---------------|---------|
| ECE/SAE License Plate Illuminator |                        | 12-24V DC | Polycarbonate | 0341181 |

# Model 150

## 1" x 3" LED Clearance & Side Marker Light



**Light Source:** LED

**Input Voltage:** 12-24 DC

**Current Draw:** 0.09 Max Amps @ 12V DC

**Standards:** ECE Reg. 7 (Position & Stop), ECE Reg. 10 (Radiated Emissions, Amber Only), SAE J592 (Side Marker), Buy America Compliant, Sealed to IP67

**Mounting:** Low profile mount

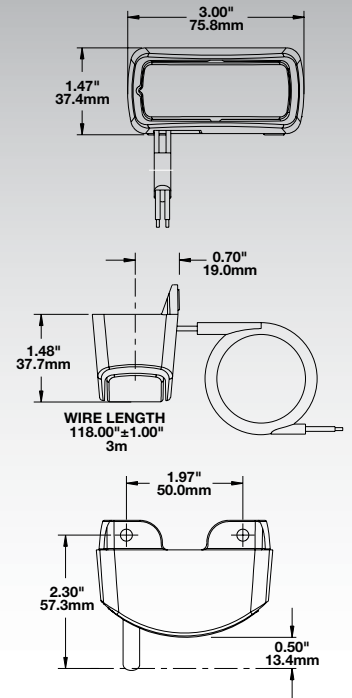
**Special Note:** Mounting bracket assembly required

| Function                  | Additional Information | Voltage   | Lens          | Part #  |
|---------------------------|------------------------|-----------|---------------|---------|
| ECE/SAE Side Marker       | Light Only             | 12-24V DC | Amber Acrylic | 0205341 |
| ECE/SAE Side Marker       | Light Only             | 12-24V DC | Red Acrylic   | 0205321 |
| Mounting Bracket Assembly |                        |           |               | 5856032 |

Forward Lighting  
Worklights  
Emergency & Warning  
Interior  
Signal Lights  
Thermal Imaging  
Electronics  
Heavy Duty Light Bars  
Vehicle Identification  
Service Parts  
Reference

# Model 151

## 2" x 3" LED License Plate Illuminator



**Light Source:** LED

---

**Input Voltage:** 12-24V DC

---

**Current Draw:** 0.07 Max Amps @ 12V DC

---

**Standards:** FMVSS 108 (DOT Compliant), CMVSS 108 (Transport Canada Compliant), ECE Reg. 4 (Plate), ECE Reg. 50 (Motorcycles), Buy America Compliant

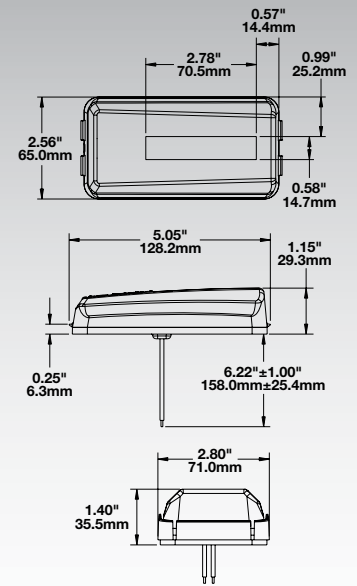
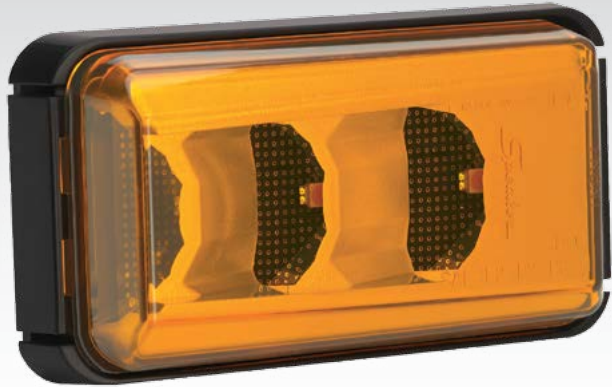
---

**Mounting:** Low profile mount

| Function                          | Additional Information | Voltage   | Lens    | Part #  |
|-----------------------------------|------------------------|-----------|---------|---------|
| DOT/ECE License Plate Illuminator |                        | 12-24V DC | Acrylic | 0341281 |

# Model 157

## 3" x 5" LED Side Turn Signal Light



**Light Source:** LED

**Input Voltage:** 12-24V DC

**Current Draw:** 0.41 Amps @ 12V DC; 0.20 Amps @ 24V DC

**Standards:** ECE Reg. 6 (Signal), SAE J592 (Side Marker), SAE J595 (Warning), SAE J914 (Signal), SAE J2042 (Side Marker), Buy America Compliant, Sealed to IP67

**Mounting:** Low profile mount

| Function                      | Additional Information | Voltage   | Lens          | Part #  |
|-------------------------------|------------------------|-----------|---------------|---------|
| ECE/SAE Side Marker/Side Turn |                        | 12-24V DC | Amber Acrylic | 0344461 |
| ECE/SAE Side Turn             |                        | 12-24V DC | Amber Acrylic | 0344311 |
| ECE/SAE Side Turn             |                        | 12-24V DC | Clear Acrylic | 0344301 |

Forward Lighting

Worklights

Emergency & Warning

Interior

Signal Lights

Thermal Imaging

Electronics

Heavy Duty Light Bars

Vehicle Identification

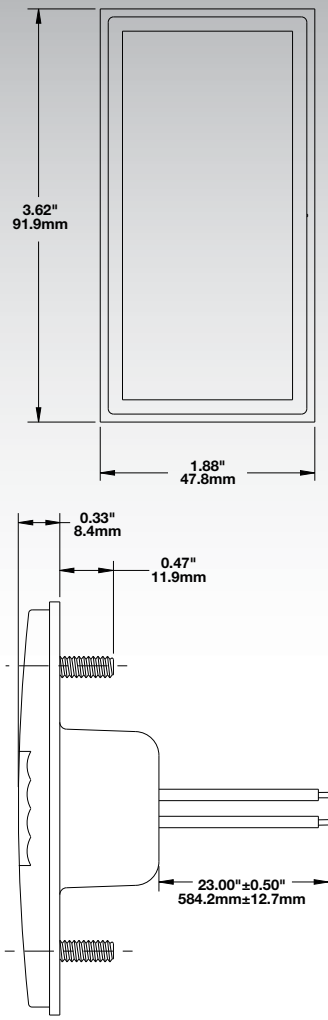
Service Parts

Reference

Forward Lighting  
Worklights  
Emergency & Warning  
Interior  
Signal Lights  
Thermal Imaging  
Electronics  
Heavy Duty Light Bars  
Vehicle Identification  
Service Parts  
Reference

# Model 170

## 2" x 4" LED Side Marker Light



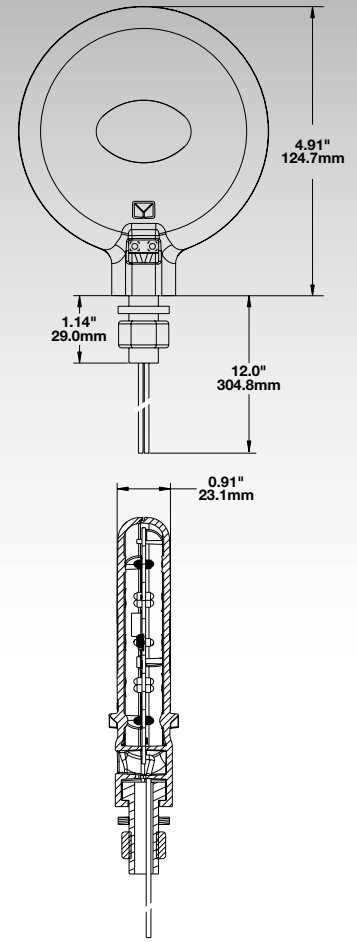
**Light Source:** LED  
**Input Voltage:** 12V DC  
**Current Draw:** 0.06 Amps @ 12V DC  
**Standards:** ECE Reg. 3 (Reflector), ECE Reg. 91 (Side Marker), SAE J592 (Side Marker), SAE J594 (Reflector), Buy America Compliant  
**Mounting:** Low profile mount

| Function            | Additional Information | Voltage | Lens          | Part #  |
|---------------------|------------------------|---------|---------------|---------|
| ECE/SAE Side Marker |                        | 12V DC  | Amber Acrylic | 0230731 |
| ECE/SAE Side Marker |                        | 12V DC  | Red Acrylic   | 0230721 |



# Model 206

## 5" LED Double-Sided Signal Light



**Light Source:** LED

**Input Voltage:** 12-24V DC

**Current Draw:**

**Stop:** 0.10 Amps @ 12V DC; 0.05 Amps @ 24V DC

**Tail:** 0.01 Amps @ 12V DC; 0.01 Amps @ 24V DC

**Turn:** 0.58 Amps @ 12V DC; 0.27 Amps @ 24V DC

**Standards:** ASABE 279.17, ECE Reg. 7 (Position & Stop), SAE J96 (Turn), SAE J585 (Tail), SAE J586 (Stop), SAE J974 (Warning), SAE J2040 (Tail), Buy America Compliant, Sealed to IP67

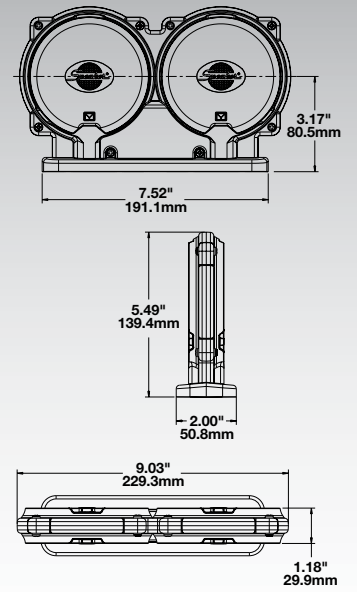
**Mounting:** Hollow stud mount

| Function          | Additional Information           | Voltage   | Lens                | Part #  |
|-------------------|----------------------------------|-----------|---------------------|---------|
| ECE/SAE Stop/Tail | Single Sided Light with Guard    | 12-24V DC | Red Polycarbonate   | 0342781 |
| ECE/SAE Stop/Tail | Single Sided Light without Guard | 12-24V DC | Red Polycarbonate   | 0342771 |
| SAE Turn          | Double Sided Light with Guard    | 12-24V DC | Amber Polycarbonate | 0341931 |
| SAE Turn          | Double Sided Light without Guard | 12-24V DC | Amber Polycarbonate | 0341681 |

Forward Lighting  
Worklights  
Emergency & Warning  
Interior  
Signal Lights  
Thermal Imaging  
Electronics  
Heavy Duty Light Bars  
Vehicle Identification  
Service Parts  
Reference

# Model 212

## 5" LED Double-Sided Signal Lights in Bezel



**Light Source:** LED

**Input Voltage:** 12-24V DC

**Current Draw:** 0.61 Amps @ 12V DC; 0.30 Amps @ 24V DC

**Standards:** ASABE 279.17, ECE Reg. 7 (Position & Stop), SAE J96 (Warning), SAE J585 (Tail), SAE J586 (Stop), SAE J974 (Warning), SAE J2040 (Tail), Buy America Compliant, Sealed to IP67

**Mounting:** Universal pedestal mount

**Special Note:** This light is available in either a right hand (RH) or left hand (LH) configuration

| Function               | Additional Information             | Voltage   | Lens          | Part #  |
|------------------------|------------------------------------|-----------|---------------|---------|
| ECE/SAE Stop/Tail/Turn | Retrofit for Models 297 & 288 - LH | 12-24V DC | Polycarbonate | 0343341 |
| ECE/SAE Stop/Tail/Turn | Retrofit for Models 297 & 288 - RH | 12-24V DC | Polycarbonate | 0343351 |
| ECE/SAE Stop/Tail/Turn | Retrofit for Wesbar - LH           | 12-24V DC | Polycarbonate | 0343401 |
| ECE/SAE Stop/Tail/Turn | Retrofit for Wesbar - RH           | 12-24V DC | Polycarbonate | 0343411 |

# Model 217

## 3" LED Signal Light



**Light Source:** LED

**Input Voltage:** 12-24V DC

**Current Draw:**

**Backup:** 0.12 Amps @ 12V DC; 0.07 Amps @ 24V DC

**DRL & Front Position:**

0.55 Amps (DRL)/ 0.05 (Front Position) @ 12V DC;

0.30 Amps (DRL)/ 0.03 Amps (Front Position) @ 24V DC

**Rear Fog:** 0.15 Amps @ 12V DC; 0.08 Amps @ 24V DC

**Stop & Tail:**

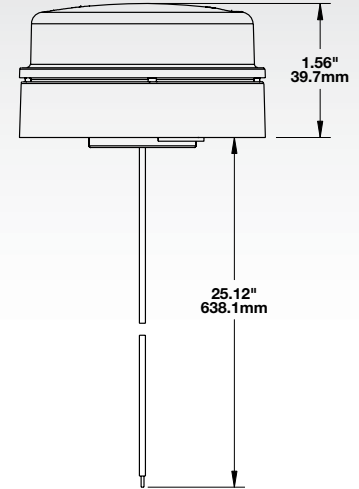
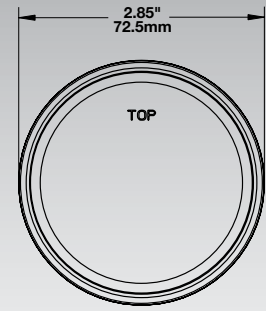
0.10 Amps @ 12V DC (Stop)/ 0.03 Amps (Tail) @ 12V DC;

0.05 Amps (Stop)/ 0.02 Amps (Tail) @ 24V DC

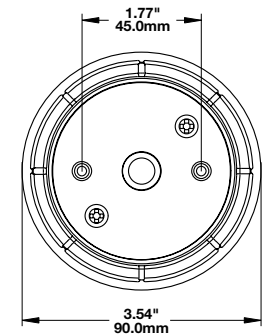
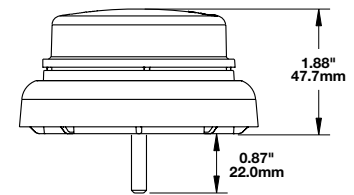
**Turn Signal:** 0.20 Amps @ 12V DC; 0.10 Amps @ 24V DC

**Standards:** ECE Reg. 6 (Signal), ECE Reg. 7 (Front Position & Stop), ECE Reg. 23 (Backup), ECE Reg. 38 (Fog), ECE Reg. 87 (DRL), CE Recognized, Buy America Compliant, Sealed to IP67

**Mounting:** Universal mount



LAMP IN 90MM ADAPTER RING



| Function                 | Additional Information    | Voltage   | Lens                | Part #  |
|--------------------------|---------------------------|-----------|---------------------|---------|
| ECE Backup               | Without 90mm Adapter Ring | 12-24V DC | Clear Polycarbonate | 0345421 |
| ECE DRL & Front Position | With 90mm Adapter Ring    | 12-24V DC | Clear Polycarbonate | 0345451 |
| ECE DRL & Front Position | Without 90mm Adapter Ring | 12-24V DC | Clear Polycarbonate | 0345461 |
| ECE Rear Fog             | Without 90mm Adapter Ring | 12-24V DC | Red Polycarbonate   | 0345431 |
| ECE Rear Fog             | Without 90mm Adapter Ring | 12-24V DC | Clear Polycarbonate | 0345511 |
| ECE Stop & Tail          | Without 90mm Adapter Ring | 12-24V DC | Red Polycarbonate   | 0345411 |
| ECE Turn Signal          | Without 90mm Adapter Ring | 12-24V DC | Amber Polycarbonate | 0345441 |
| ECE Turn Signal          | With 90mm Adapter Ring    | 12-24V DC | Amber Polycarbonate | 0345521 |

Forward Lighting

# Model 223

## 5" x 5" LED Signal Light

Worklights

Emergency &amp; Warning

Interior

Signal Lights

Thermal Imaging

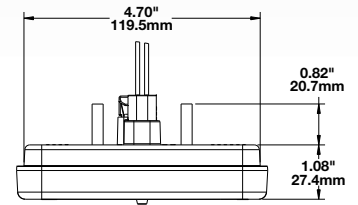
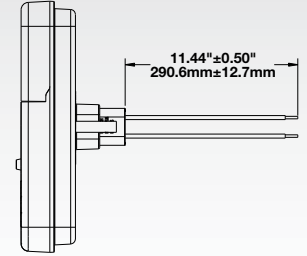
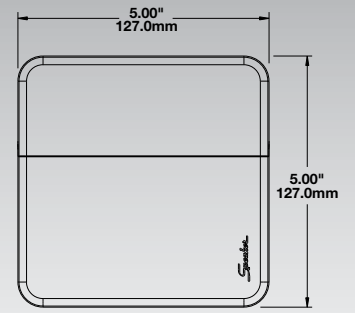
Electronics

Heavy Duty Light Bars

Vehicle Identification

Service Parts

Reference



**Light Source:** LED

**Input Voltage:** 12-24V DC

**Current Draw:**

**Front Position:** 0.25 Amps @ 12V DC

**Stop:** 0.33 Amps @ 12V DC; 0.15 Amps @ 24V DC

**Tail:** 0.13 Amps @ 12V DC; 0.05 Amps @ 24V DC

**Turn:** 2.93 Amps @ 12V DC; 1.71 Amps @ 24V DC

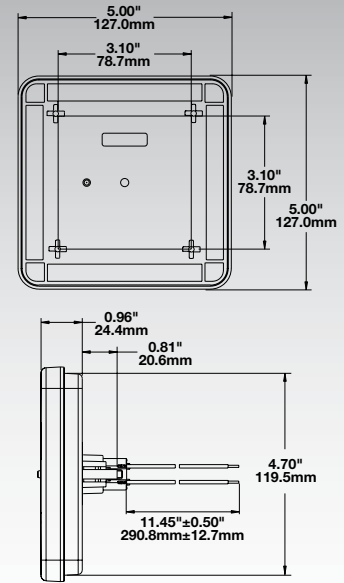
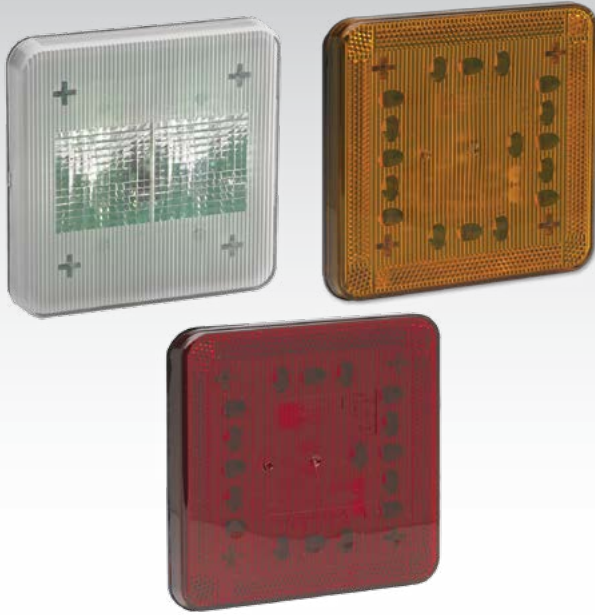
**Standards:** ECE Reg. 3 (Reflector), ECE Reg. 6 (Signal), ECE Reg. 7 (Position & Stop), SAE J575 (Stop, Tail & Turn), SAE J585 (Tail), SAE J586 (Stop), SAE J588 (Turn), SAE J594 (Reflector), Buy America Compliant, Sealed IP67

**Mounting:** Low profile mount

| Function                      | Additional Information | Voltage   | Lens                | Part #  |
|-------------------------------|------------------------|-----------|---------------------|---------|
| ECE Front Position/Front Turn |                        | 12-24V DC | White/Amber Acrylic | 0341711 |
| ECE/SAE Stop/Tail/Turn        |                        | 12-24V DC | Red/Amber Acrylic   | 0341701 |

# Model 224

## 5" x 5" LED Signal Light



**Light Source:** LED

**Input Voltage:** 12-24V DC

**Current Draw:**

**Backup:** 0.15 Amps @ 12V DC; 0.08 Amps @ 24V DC

**Rear Fog:** 0.34 Amps @ 12V DC; 0.16 Amps @ 24V DC

**Stop:** 0.19 Amps @ 12V DC

**Tail:** 0.03 Amps @ 12V DC

**Turn:** 0.30 Amps @ 12V DC

**Standards:** ASABE 279.14 (Stop & Tail), ECE Reg. 3 (Reflector), ECE Reg. 6 (Signal), ECE Reg. 7 (Position & Stop), ECE Reg. 23 (Reverse), SAE J588 (Turn), SAE J593 (Backup), SAE J594 (Reflector), SAE J974 (Warning), SAE J2040 (Tail), SAE J2261 (Stop & Turn), Buy America Compliant, Sealed to IP67

**Mounting:** Low profile mount

| Function          | Additional Information | Voltage   | Lens          | Part #  |
|-------------------|------------------------|-----------|---------------|---------|
| ECE/SAE Backup    |                        | 12-24V DC | Clear Acrylic | 0442611 |
| ECE/SAE Stop/Tail |                        | 12-24V DC | Red Acrylic   | 0342301 |
| ECE/SAE Turn      |                        | 12-24V DC | Amber Acrylic | 0342291 |
| Rear Fog          |                        | 12-24V DC | Red Acrylic   | 0342361 |

Forward Lighting

Worklights

Emergency & Warning

Interior

Signal Lights

Thermal Imaging

Electronics

Heavy Duty Light Bars

Vehicle Identification

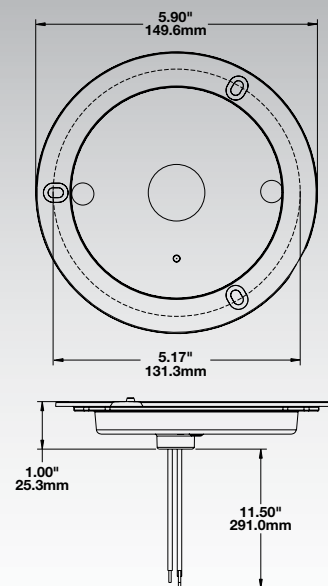
Service Parts

Reference

Forward Lighting  
Worklights  
Emergency & Warning  
Interior  
Signal Lights  
Thermal Imaging  
Electronics  
Heavy Duty Light Bars  
Vehicle Identification  
Service Parts  
Reference

# Model 232

## 6" LED Signal Light



**Light Source:** LED

**Input Voltage:** 12-24V DC

**Current Draw:**

**Backup:** 0.40 Amps @ 12V DC; 0.23 Amps @ 24V DC

**Stop:** 0.19 Amps @ 12V DC; 0.08 Amps @ 24V DC

**Tail:** 0.03 Amps @ 12V DC; 0.02 Amps @ 24V DC

**Turn:** 0.38 Amps @ 12V DC; 0.17 Amps @ 24V DC

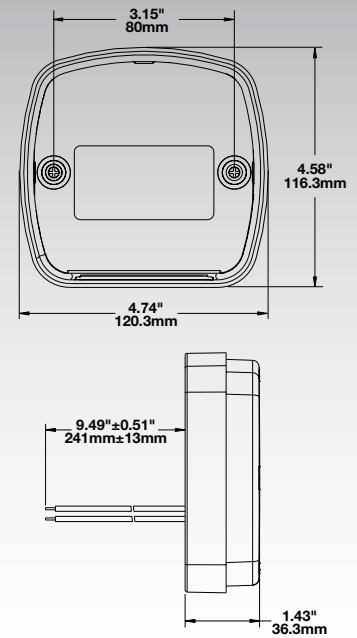
**Standards:** ECE Reg. 6 (Signal), ECE Reg. 7 (Position & Stop), ECE Reg. 10 (Radiated Emissions), ECE Reg. 23 (Reverse), SAE J585 (Tail), SAE J586 (Stop), SAE J588 (Turn), SAE J593 (Backup), Buy America Compliant

**Mounting:** Low profile mount

| Function               | Additional Information | Voltage   | Lens                | Part #  |
|------------------------|------------------------|-----------|---------------------|---------|
| ECE/SAE Backup         |                        | 12-24V DC | Clear Polycarbonate | 0443071 |
| ECE/SAE Stop/Tail/Turn |                        | 12-24V DC | Red Polycarbonate   | 0341991 |
| ECE/SAE Turn           |                        | 12-24V DC | Amber Polycarbonate | 0342001 |

# Model 236

## 5" x 5" LED Stop, Tail, & Turn Light



**Light Source:** LED

**Input Voltage:** 12-24V DC

**Current Draw:**

**Stop:** 0.35 Amps @ 12V DC

**Tail:** 0.13 Amps @ 12V DC

**Turn:** 1.30 Amps @ 12V DC

**Standards:** ECE Reg. 3 (Reflector), ECE Reg. 6 (Signal), ECE Reg. 7 (Position & Stop), Buy America Compliant, Sealed to IP67

**Mounting:** Low profile mount

**Special Note:** Integrated reflex reflector

| Function   | Additional Information | Voltage   | Lens        | Part #  |
|--|------------------------|-----------|-------------|---------|
| ECE Stop/Tail/Turn                               |                        | 12-24V DC | Red Acrylic | 0343151 |
| ECE Stop/Tail/Turn/<br>License Plate Illuminator |                        | 12-24V DC | Red Acrylic | 0343141 |

Forward Lighting

Worklights

Emergency & Warning

Interior

Signal Lights

Thermal Imaging

Electronics

Heavy Duty Light Bars

Vehicle Identification

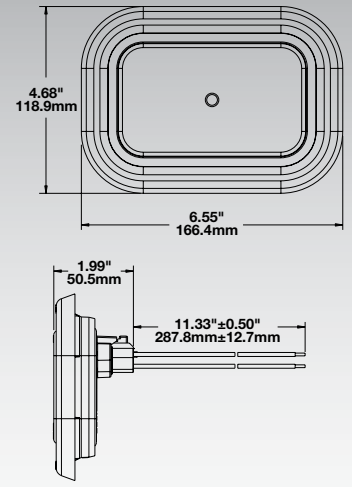
Service Parts

Reference

Forward Lighting  
Worklights  
Emergency & Warning  
Interior  
Signal Lights  
Thermal Imaging  
Electronics  
Heavy Duty Light Bars  
Vehicle Identification  
Service Parts  
Reference

# Model 245

## 5" x 7" LED Signal Light



**Light Source:** LED

**Input Voltage:** 12-24V DC

**Current Draw:**

**Backup:** 0.40 Amps @ 12V DC; 0.23 Amps @ 24V DC

**Stop:** 0.17 Amps @ 12V DC; 0.09 Amps @ 24V DC

**Tail:** 0.01 Amps @ 12V DC; 0.03 Amps @ 24V DC

**Turn:** 0.35 Amps @ 12V DC; 0.23 Amps @ 24V DC

**Standards:** ECE Reg. 6 (Signal), ECE Reg. 7 (Position & Stop), ECE Reg. 23 (Reverse), SAE J575 (Signal), SAE J585 (Tail), SAE J586 (Stop), SAE J588 (Turn), SAE J593 (Backup), Buy America Compliant, Sealed IP67

**Mounting:** Low profile mount

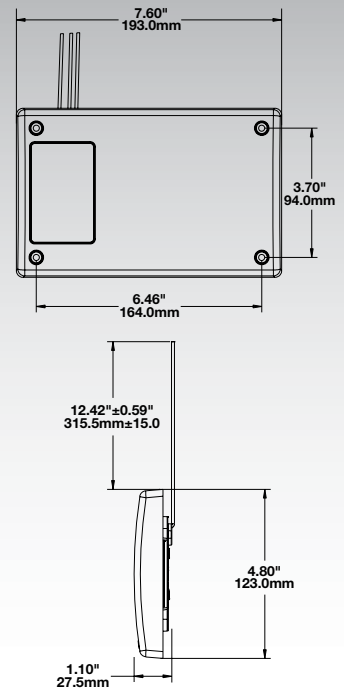
**Special Note:** Light comes with either Packard (#1211029) harness with 18" bare leads or 3-pin Deutsch harness with 11" bare leads

| Function          | Additional Information     | Voltage   | Lens                | Part #  |
|-------------------|----------------------------|-----------|---------------------|---------|
| ECE/SAE Backup    | Light with Deutsch Harness | 12-24V DC | Clear Polycarbonate | 0443081 |
| ECE/SAE Stop/Tail | Light with Deutsch Harness | 12-24V DC | Red Polycarbonate   | 0343911 |
| ECE/SAE Stop/Tail | Light with Packard Harness | 12-24V DC | Red Polycarbonate   | 0340881 |
| ECE/SAE Turn      | Light with Deutsch Harness | 12-24V DC | Amber Polycarbonate | 0343921 |
| ECE/SAE Turn      | Light with Packard Harness | 12-24V DC | Amber Polycarbonate | 0340871 |



# Model 260

## 5" x 8" LED Signal Light



**Light Source:** LED

**Input Voltage:** 12-24V DC

**Current Draw:**

**Backup:** 0.65 Amps @ 12V DC; 0.38 Amps @ 24V DC

**Rear Fog:** 0.26 Amps @ 12V DC; 0.14 Amps @ 24V DC

**Stop:** 0.65 Amps @ 12V DC; 0.38 Amps @ 24V DC

**Turn:** 0.65 Amps @ 12V DC; 0.38 Amps @ 24V DC

**Tail:** 0.65 Amps @ 12V DC; 0.38 Amps @ 24V DC

**Standards:** ECE Reg. 3 (Reflector), ECE Reg. 6 (Signal), ECE Reg. 7 (Position & Stop), SAE J585 (Tail), SAE J586 (Stop), SAE J2040 (Tail), SAE J2261 (Stop & Turn), SAE J593 (Backup), Buy America Compliant, Sealed IP67

**Mounting:** Low profile mount

| Function          | Additional Information | Voltage   | Lens          | Part #  |
|-------------------|------------------------|-----------|---------------|---------|
| ECE/SAE Backup    |                        | 12-24V DC | Clear Acrylic | 0443031 |
| ECE/SAE Rear Fog  |                        | 12-24V DC | Red Acrylic   | 0342271 |
| ECE/SAE Stop/Tail |                        | 12-24V DC | Red Acrylic   | 0339371 |
| ECE/SAE Turn      |                        | 12-24V DC | Amber Acrylic | 0339381 |

Forward Lighting

Worklights

Emergency & Warning

Interior

Signal Lights

Thermal Imaging

Electronics

Heavy Duty Light Bars

Vehicle Identification

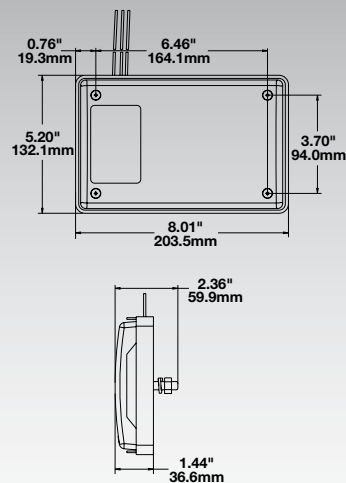
Service Parts

Reference

Forward Lighting  
Worklights  
Emergency & Warning  
Interior  
Signal Lights  
Thermal Imaging  
Electronics  
Heavy Duty Light Bars  
Vehicle Identification  
Service Parts  
Reference

# Model 261

## 5" x 8" LED Signal Light in Mounting Frame



**Light Source:** LED

**Input Voltage:** 12-24V DC

**Current Draw:** 0.65 Amps @ 12V DC; 0.38 Amps @ 24V DC

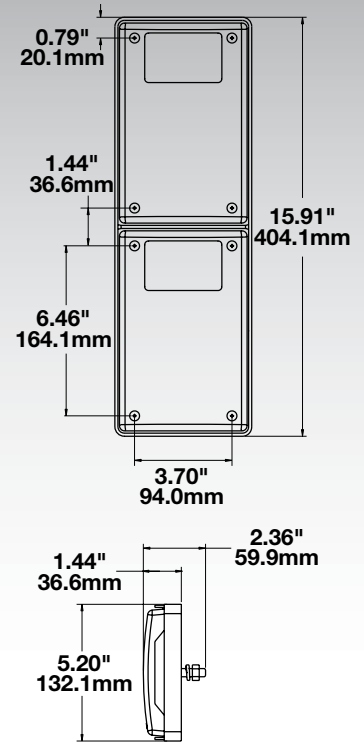
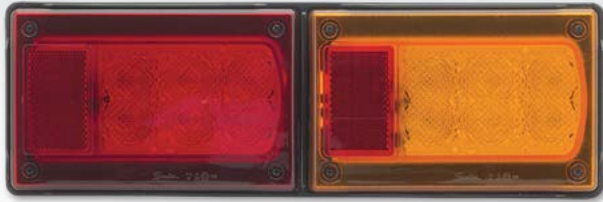
**Standards:** ECE Reg. 3 (Reflector), ECE Reg. 6 (Signal), ECE Reg. 7 (Position & Stop), SAE J585 (Tail), SAE J586 (Stop), SAE J2040 (Tail), SAE J2261 (Stop & Turn), SAE J593 (Backup), Buy America Compliant, Sealed IP67

**Mounting:** Low profile mount

| Function          | Additional Information | Voltage   | Lens          | Part #  |
|-------------------|------------------------|-----------|---------------|---------|
| ECE/SAE Backup    |                        | 12-24V DC | Clear Acrylic | 0341251 |
| ECE/SAE Stop/Tail |                        | 12-24V DC | Red Acrylic   | 0341231 |
| ECE/SAE Turn      |                        | 12-24V DC | Amber Acrylic | 0341241 |

# Model 262

## 5" x 8" LED Stop, Tail, & Turn Light in Mounting Frame



**Light Source:** LED

**Input Voltage:** 12-24V DC

**Current Draw:** 0.65 Amps @ 12V DC; 0.38 Amps @ 24V DC

**Standards:** ECE Reg. 3 (Reflector), ECE Reg. 6 (Signal), ECE Reg. 7 (Position & Stop), SAE J585 (Tail), SAE J586 (Stop), SAE J2040 (Tail), SAE J2261 (Stop & Turn), Buy America Compliant, Sealed to IP67

**Mounting:** Low profile mount

| Function               | Additional Information | Voltage   | Lens              | Part #  |
|------------------------|------------------------|-----------|-------------------|---------|
| ECE/SAE Stop/Tail/Turn |                        | 12-24V DC | Amber/Red Acrylic | 0341221 |

Forward Lighting

Worklights

Emergency & Warning

Interior

Signal Lights

Thermal Imaging

Electronics

Heavy Duty Light Bars

Vehicle Identification

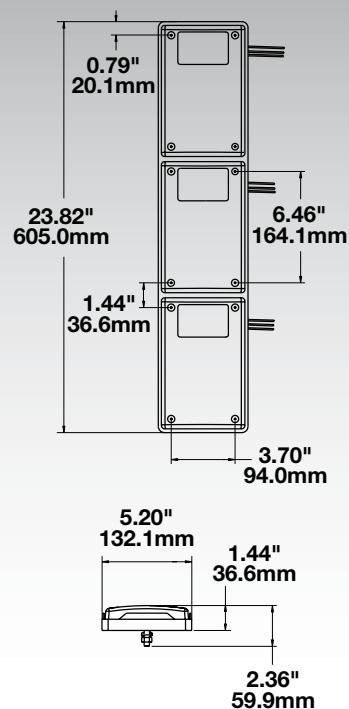
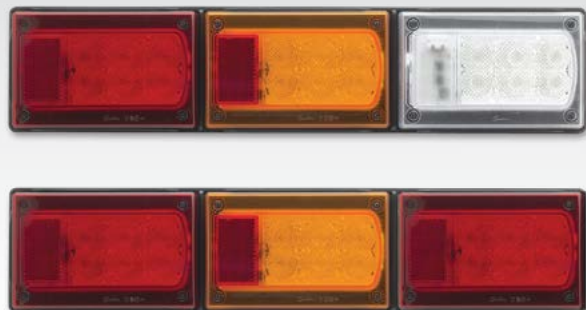
Service Parts

Reference

Forward Lighting  
Worklights  
Emergency & Warning  
Interior  
Signal Lights  
Thermal Imaging  
Electronics  
Heavy Duty Light Bars  
Vehicle Identification  
Service Parts  
Reference

# Model 263

## 5" x 24" LED Signal Light in Mounting Frame



**Light Source:** LED

---

**Input Voltage:** 12-24V DC

---

**Current Draw:** 0.65 Amps @ 12V DC; 0.38 Amps @ 24V DC

---

**Standards:** ECE Reg. 3 (Reflector), ECE Reg. 6 (Signal), ECE Reg. 7 (Position & Stop), SAE J585 (Tail), SAE J586 (Stop), SAE J593 (Backup), SAE J2040 (Tail), SAE J2261 (Stop & Turn), Buy America Compliant, Sealed to IP67

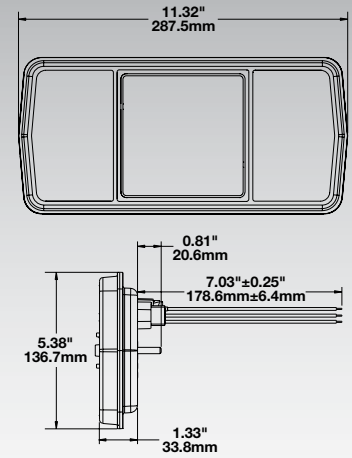
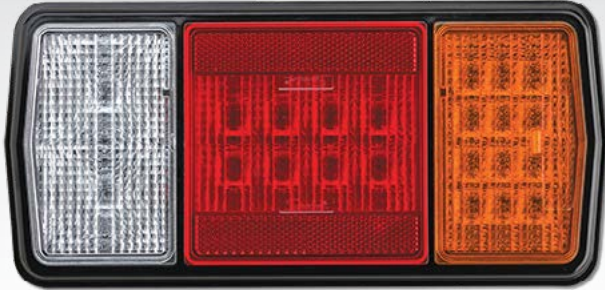
---

**Mounting:** Low profile mount

| Function                      | Additional Information | Voltage   | Lens                    | Part #  |
|-------------------------------|------------------------|-----------|-------------------------|---------|
| ECE/SAE Stop/Tail/Turn        |                        | 12-24V DC | Red/Amber/Red Acrylic   | 0343791 |
| ECE/SAE Stop/Tail/Turn/Backup |                        | 12-24V DC | Red/Amber/Clear Acrylic | 0341211 |

# Model 265

## 4" x 11" LED Stop, Tail, Turn & Backup



**Light Source:** LED

**Input Voltage:** 12-24V DC

**Current Draw:**

**Backup:** 0.33 Amps @ 12V DC; 0.35 Amps @ 24V DC

**Stop:** 0.33 Amps @ 12V DC; 0.20 Amps @ 24V DC

**Tail:** 0.06 Amps @ 12V DC; 0.04 Amps @ 24V DC

**Turn:** 0.43 Amps @ 12V DC; 0.33 Amps @ 24V DC

**Standards:** ASABE 279.17, ECE Reg. 3 (Reflector), ECE Reg. 6 (Signal), ECE Reg. 7 (Position & Stop), ECE Reg. 23 (Reverse), SAE J575 (Stop, Tail, Turn & Backup), SAE J585 (Tail), SAE J586 (Stop), SAE J588 (Turn), SAE J593 (Backup), SAE J594 (Reflector), SAE J2040 (Tail), SAE J2261 (Stop & Turn), Buy America Compliant, Sealed to IP67

**Mounting:** Low profile mount

| Function                      | Additional Information | Voltage   | Lens                    | Part #  |
|-------------------------------|------------------------|-----------|-------------------------|---------|
| ECE/SAE Stop/Tail/Turn/Backup |                        | 12-24V DC | Clear/Red/Amber Acrylic | 0342421 |

Forward Lighting

Worklights

Emergency & Warning

Interior

Signal Lights

Thermal Imaging

Electronics

Heavy Duty Light Bars

Vehicle Identification

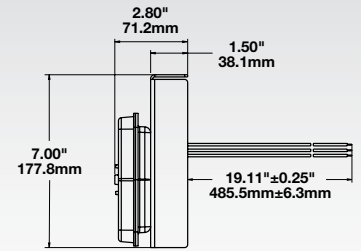
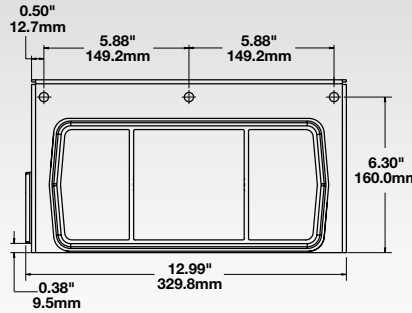
Service Parts

Reference

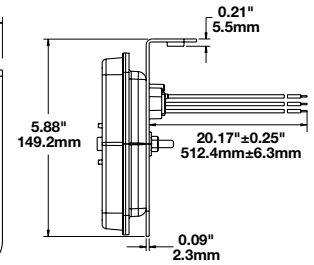
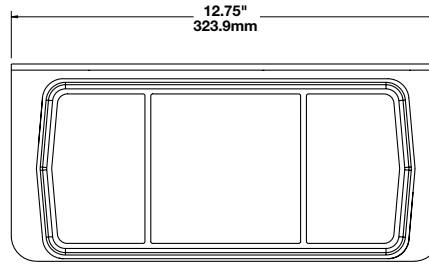
# Model 265

## Optional Mounting Bracket Assemblies

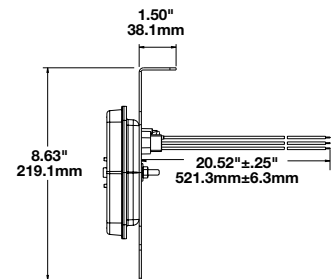
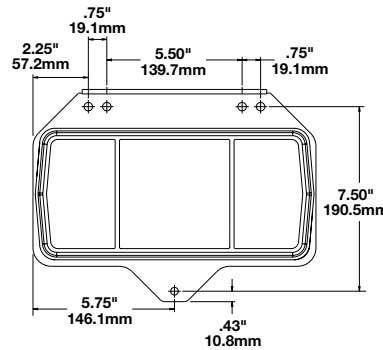
### Hino Retrofit Kit



### Mitsubishi Retrofit Bracket



### Nissan Retrofit Bracket



#### Description

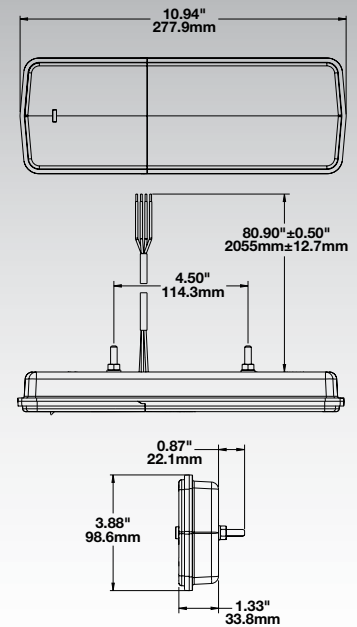
- Optional Mounting Bracket Assembly for Hino Truck
- Optional Mounting Bracket Assembly for Nissan Truck
- Optional Mounting Bracket Assembly for Mitsubishi Truck

#### Part Number

- 6144350
- 6144360
- 6144370

# Model 267

## 4" x 11" LED Stop, Tail & Turn Light



**Light Source:** LED

**Input Voltage:** 12-24V DC

**Current Draw:**

**Stop:** 0.38 Amps @ 12V DC; 0.25 Amps @ 24V DC

**Tail:** 0.08 Amps @ 12V DC; 0.05 Amps @ 24V DC

**Turn:** 0.45 Amps @ 12V DC; 0.33 Amps @ 24V DC

**Standards:** ASABE 279.17, ECE Reg. 3 (Reflector), ECE Reg. 6 (Signal), ECE Reg. 7 (Position & Stop), SAE J575 (Stop, Tail & Turn), SAE J585 (Tail), SAE J586 (Stop), SAE J588 (Turn), SAE J594 (Reflector), Buy America Compliant

**Mounting:** Low profile mount

| Function               | Additional Information | Voltage   | Lens              | Part #  |
|------------------------|------------------------|-----------|-------------------|---------|
| ECE/SAE Stop/Tail/Turn |                        | 12-24V DC | Red/Amber Acrylic | 0339711 |

Forward Lighting

Worklights

Emergency & Warning

Interior

Signal Lights

Thermal Imaging

Electronics

Heavy Duty Light Bars

Vehicle Identification

Service Parts

Reference

Forward Lighting

Worklights

Emergency &amp; Warning

Interior

Signal Lights

Thermal Imaging

Electronics

Heavy Duty Light Bars

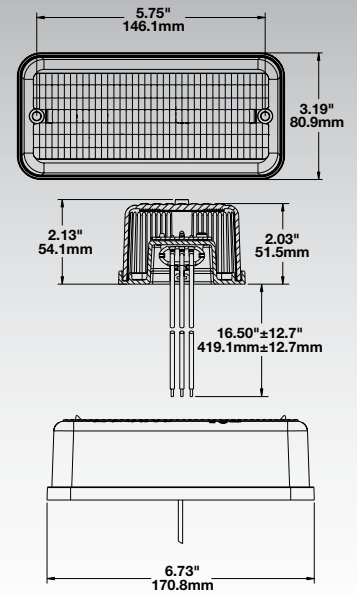
Vehicle Identification

Service Parts

Reference

# Model 270

## 3" x 7" LED Signal Light



**Light Source:** LED

**Input Voltage:** 12V or 24-36V DC

**Current Draw:**

**Park:** 0.50 Amps @ 12V DC

**Stop:** 0.07 Amps @ 12V DC; 0.07 Amps @ 24V DC;  
0.05 Amps @ 36V DC

**Tail:** 0.01 Amps @ 12V DC; 0.01 Amps @ 24V DC;  
0.01 Amps @ 36V DC

**Turn:** 0.50 Amps @ 12V DC

**Standards:** ASABE 279.17, ECE Reg. 6 (Signal), ECE Reg. 7 (Position & Stop), SAE J96 (Warning), SAE 585 (Stop & Tail), SAE J586 (Stop), SAE J588 (Turn), SAE J594 (Reflector), SAE J914 (Signal), SAE J974 (Warning), SAE J1889 (Signal), SAE J2040 (Tail), SAE J1957 (Stop & Tail), SAE J2261 (Stop & Turn), SAE J278 (Stop & Tail), SAE J279 (Stop & Tail), SAE J575 (Signal), Buy America Compliant, Sealed to IP67

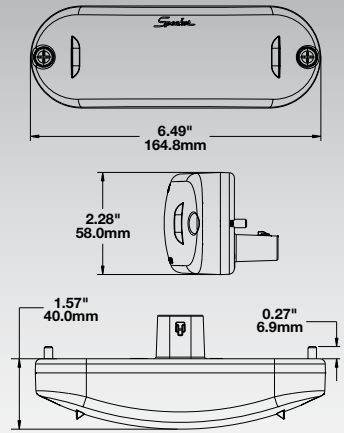
**Mounting:** Low profile mount

| Function          | Additional Information | Voltage   | Lens          | Part #  |
|-------------------|------------------------|-----------|---------------|---------|
| ECE/SAE Stop/Tail |                        | 12V DC    | Red Acrylic   | 0341361 |
| ECE/SAE Stop/Tail |                        | 24-36V DC | Red Acrylic   | 0342061 |
| ECE/SAE Turn      |                        | 12V DC    | Amber Acrylic | 0341341 |
| SAE Turn/Park     |                        | 12V DC    | Amber Acrylic | 0341881 |



# Model 272

## 2" x 7" LED Signal Light



**Light Source:** LED

**Input Voltage:** 12V or 24V DC

**Current Draw:**

**Stop:** 0.21 Amps @ 12V DC; 0.22 Amps @ 24V DC

**Tail:** 0.02 Amps @ 12V DC; 0.02 Amps @ 24V DC

**Turn:** 0.21 Amps @ 12V DC; 0.22 Amps @ 24V DC

**Standards:** ASABE 279.17, ECE Reg. 6 (Signal), ECE Reg. 7 (Position & Stop), SAE J96 (Warning), SAE J575 (Signal), SAE J585 (Tail), SAE J586 (Stop), SAE J588 (Turn), SAE J974 (Warning), SAE J1889 (Signal), SAE J2261 (Stop & Turn), SAE J2040 (Tail), Buy America Compliant, Sealed to IP67

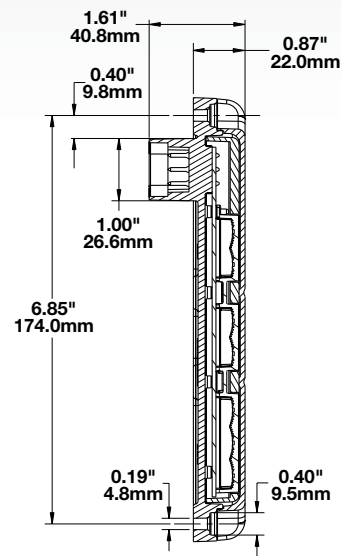
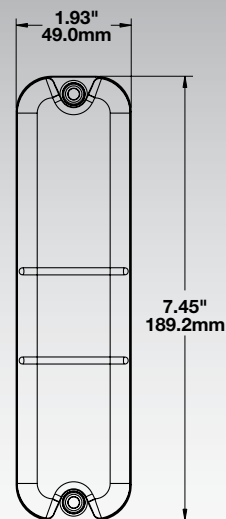
**Mounting:** Low profile mount

| Function          | Additional Information | Voltage | Lens                | Part #  |
|-------------------|------------------------|---------|---------------------|---------|
| ECE/SAE Stop/Tail |                        | 12V DC  | Red Polycarbonate   | 0341811 |
| ECE/SAE Stop/Tail |                        | 24V DC  | Red Polycarbonate   | 0343171 |
| ECE/SAE Turn      |                        | 12V DC  | Amber Polycarbonate | 0341801 |
| ECE/SAE Turn      |                        | 24V DC  | Amber Polycarbonate | 0343181 |

Forward Lighting  
Worklights  
Emergency & Warning  
Interior  
Signal Lights  
Thermal Imaging  
Electronics  
Heavy Duty Light Bars  
Vehicle Identification  
Service Parts  
Reference

# Model 280

## 2" x 7" LED Stop, Tail, Turn, & Backup Light



**Light Source:** LED

**Input Voltage:** 12V or 24-36V DC

**Current Draw:**

**Backup:** 0.09 Amps @ 12V DC; 0.05 Amps @ 24V DC; 0.06 Amps @ 36V DC

**Stop:** 0.11 Amps @ 12V DC; 0.06 Amps @ 24V DC; 0.05 Amps @ 36V DC

**Tail:** 0.02 Amps @ 12V DC; 0.02 Amps @ 24V DC; 0.01 Amps @ 36V DC

**Turn:** 0.11 Amps @ 12V DC; 0.06 Amps @ 24V DC; 0.05 Amps @ 36V DC

**Standards:** UL Recognized, Buy America Compliant

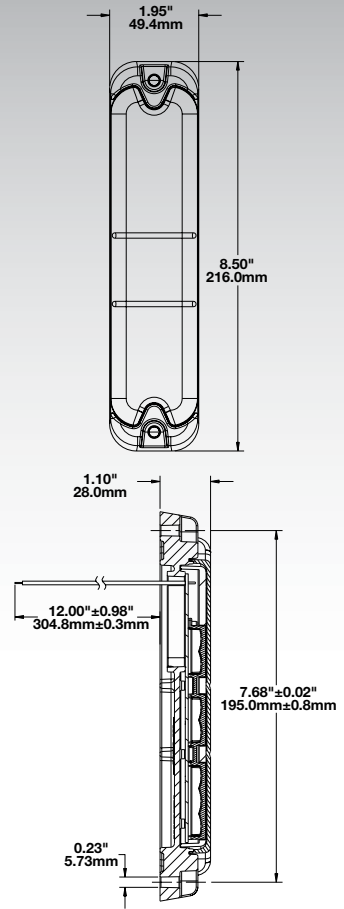
**Mounting:** Low profile mount

**Special Note:** Includes integrated Packard (#12052848) connector

| Function              | Additional Information | Voltage   | Lens              | Part #  |
|-----------------------|------------------------|-----------|-------------------|---------|
| Stop/Tail/Turn/Backup |                        | 12V DC    | Red/Clear Acrylic | 0337241 |
| Stop/Tail/Turn/Backup |                        | 24-36V DC | Red/Clear Acrylic | 0341021 |

# Model 281

## 2" x 9" LED Stop, Tail, Turn, & Backup Light



**Light Source:** LED

**Input Voltage:** 12V, 24-36V, or 48V DC

**Current Draw:** 0.40 Amps @ 12V DC; 0.40 Amps @ 24V DC; 0.40 Amps @ 36V DC; 0.40 Amps @ 48V DC

**Standards:** UL Recognized, Buy America Compliant, Sealed to IP67

**Mounting:** Low profile mount

**Special Note:** Includes 12" bare leads

| Function              | Additional Information         | Voltage   | Lens              | Part #  |
|-----------------------|--------------------------------|-----------|-------------------|---------|
| Stop/Tail/Turn/Backup | 2 Light Kit with 2 Amp Flasher | 12V DC    | Red/Clear Acrylic | 0338071 |
| Stop/Tail/Turn/Backup | 2 Light Kit with 2 Amp Flasher | 48V DC    | Red/Clear Acrylic | 0339021 |
| Stop/Tail/Turn/Backup | Single Light without Flasher   | 12V DC    | Red/Clear Acrylic | 0338061 |
| Stop/Tail/Turn/Backup | Single Light without Flasher   | 24-36V DC | Red/Clear Acrylic | 0338091 |
| Stop/Tail/Turn/Backup | Single Light without Flasher   | 48V DC    | Red/Clear Acrylic | 0339011 |

Forward Lighting

Worklights

Emergency & Warning

Interior

Signal Lights

Thermal Imaging

Electronics

Heavy Duty Light Bars

Vehicle Identification

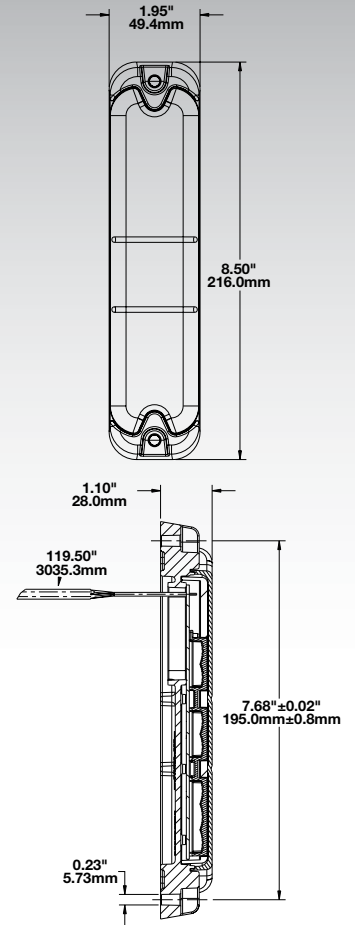
Service Parts

Reference

Forward Lighting  
Worklights  
Emergency & Warning  
Interior  
Signal Lights  
Thermal Imaging  
Electronics  
Heavy Duty Light Bars  
Vehicle Identification  
Service Parts  
Reference

# Model 283

## 2" x 9" LED Stop, Tail, & Turn Light

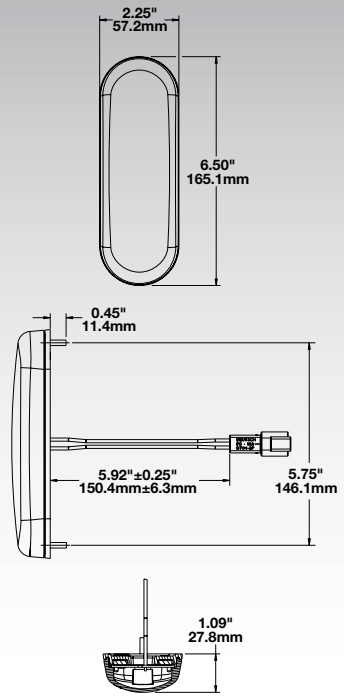


**Light Source:** LED  
**Input Voltage:** 12V or 24V DC  
**Current Draw:** 0.40 Amps @ 12V DC; 0.40 Amps @ 24V DC  
**Standards:** ECE Reg. 6 (Signal), ECE Reg. 7 (Position & Stop), Buy America Compliant, Sealed to IP67  
**Mounting:** Low profile mount

| Function           | Additional Information | Voltage | Lens                    | Part #  |
|--------------------|------------------------|---------|-------------------------|---------|
| ECE Stop/Tail/Turn |                        | 12V DC  | Red/Clear Polycarbonate | 0339741 |
| ECE Stop/Tail/Turn |                        | 24V DC  | Red/Clear Polycarbonate | 0339921 |

# Model 412

## 2" x 7" LED Signal Light



**Light Source:** LED

---

**Input Voltage:** 12-48V DC

---

**Current Draw:** 0.21 Amps @ 12V DC; 0.10 Amps @ 24V DC; 0.07 Amps @ 36V DC; 0.08 Amps @ 48V DC

---

**Standards:** ECE Reg. 6 (Signal), ECE Reg. 7 (Position & Stop), UL Recognized, Buy America Compliant, Sealed to IP67

---

**Mounting:** Low profile mount

| Function                      | Additional Information | Voltage   | Lens                      | Part #  |
|-------------------------------|------------------------|-----------|---------------------------|---------|
| ECE Front Position/Front Turn |                        | 12-48V DC | Amber/Clear Polycarbonate | 0343121 |
| ECE Stop/Tail/Turn            |                        | 12-48V DC | Amber/Red Polycarbonate   | 0343101 |

Forward Lighting

Worklights

Emergency & Warning

Interior

Signal Lights

Thermal Imaging

Electronics

Heavy Duty Light Bars

Vehicle Identification

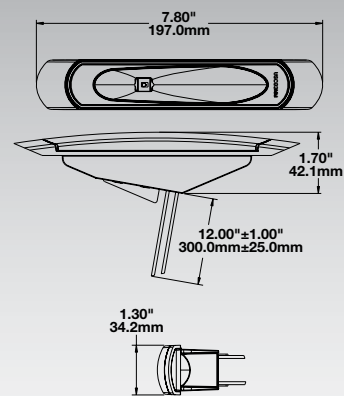
Service Parts

Reference

Forward Lighting  
Worklights  
Emergency & Warning  
Interior  
Signal Lights  
Thermal Imaging  
Electronics  
Heavy Duty Light Bars  
Vehicle Identification  
Service Parts  
Reference

# Model 450

## 1" x 5" and 1" x 8" LED Marine Signal Lights



**Light Source:** LED

---

**Input Voltage:** 12-24V DC

---

**Current Draw:** 0.21 Amps @ 12V; 0.10 Amps @ 24V

---

**Standards:** ABYC (A-16), USCG (COLOREG), Buy America Compliant, Sealed to IP67

---

**Mounting:** Low profile mount

| Function  | Additional Information | Voltage   | Lens                | Part #  |
|-----------|------------------------|-----------|---------------------|---------|
| Port      | Red Light, 1" x 8"     | 12-24V DC | Clear Polycarbonate | 0230681 |
| Starboard | Green Light, 1" x 8"   | 12-24V DC | Clear Polycarbonate | 0230691 |
| Stern     | White Light, 1" x 5"   | 12-24V DC | Clear Polycarbonate | 0230701 |

# Model 775 XD

## 3" x 5" LED Worklight & Turn Signal



**XD**  
SERIES

**Light Source:** LED

**Raw Output:** 600 Lumens

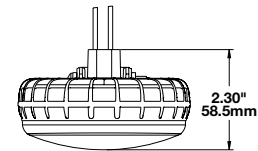
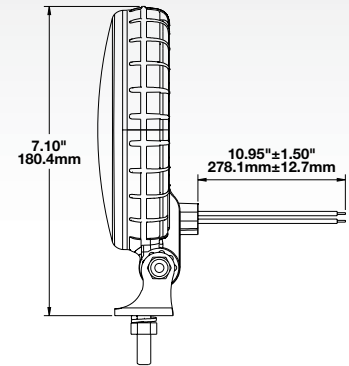
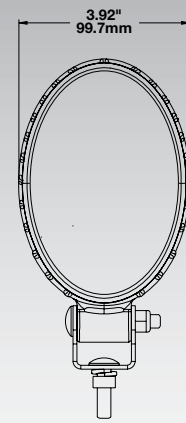
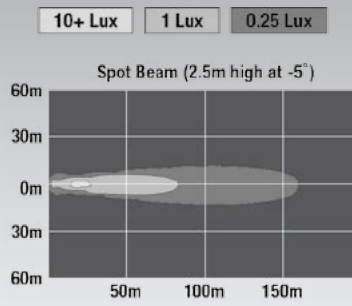
**Effective Output:** 400 Lumens

**Input Voltage:** 12-48V DC

**Current Draw:** 1.20 Amps @ 12V DC; 0.60 Amps @ 24V DC;  
0.40 Amps @ 36V DC; 0.30 Amps @ 48V DC

**Standards:** ECE Reg. 6 (Signal), ECE Reg. 10 (Radiated Emissions), SAE J1113 (Radiated Emissions - 13 up to 8V contact/15KV air discharge), SAE J1455 (Environmental - 4.13.1.1.1 steady state jump starts), CE CISPR (12/22), UL Listed, Buy America Compliant, Sealed to IP67

**Mounting:** Universal pedestal mount



Forward Lighting

Worklights

Emergency & Warning

Interior

Signal Lights

Thermal Imaging

Electronics

Heavy Duty Light Bars

Vehicle Identification

Service Parts

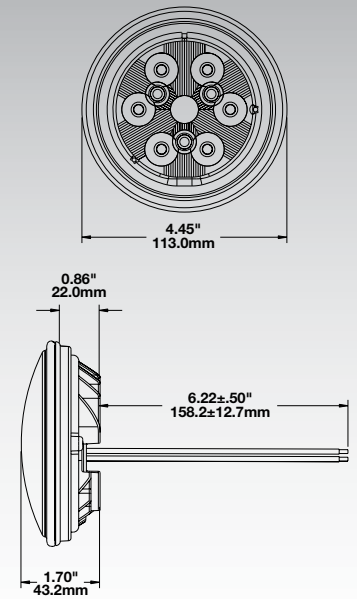
Reference

| Function                 | Additional Information | Voltage   | Lens          | Part #  |
|--------------------------|------------------------|-----------|---------------|---------|
| Spot & Turn              |                        | 12-48V DC | Polycarbonate | 1706301 |
| Replacement Mounting Kit | Black                  |           |               | 8200121 |
| Replacement Mounting Kit | Stainless Steel        |           |               | 8200101 |

Forward Lighting  
Worklights  
Emergency & Warning  
Interior  
Signal Lights  
Thermal Imaging  
Electronics  
Heavy Duty Light Bars  
Vehicle Identification  
Service Parts  
Reference

# Model 6042

## 4.5" (PAR36) LED Stop & Tail Light



**Light Source:** LED

---

**Input Voltage:** 12-24V DC

---

**Current Draw:**

**Stop:** 0.17 Amps @ 12V DC; 0.18 Amps @ 24V DC

**Tail:** 0.01 Amps @ 12V DC; 0.01 Amps @ 24V DC

---

**Standards:** SAE J585 (Tail), SAE J586 (Stop), Buy America Compliant, Sealed to IP67

---

**Mounting:** Low profile mount

| Function      | Additional Information | Voltage   | Lens              | Part #  |
|---------------|------------------------|-----------|-------------------|---------|
| SAE Stop/Tail |                        | 12-24V DC | Red Polycarbonate | 0343211 |



## Check Out Our Online Spec Sheets


While many customers utilize our print catalog as a resource for product information, we highly recommend that you also take advantage of the information available on our website. Our website features detailed product specification sheets which are more in-depth than the information you'll find in our printed catalog.

## The Anatomy of a J.W. Speaker Spec Sheet

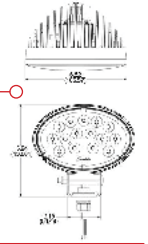
### Model Information

**Model 7150**  
5" x 7" Oval LED Worklight

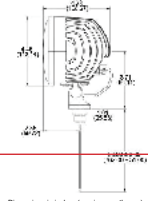
**Product Image**




**Dimension Drawing**



**Standards Compliance**



**Additional Information**



**Product List**

| Model Number | Description       |
|--------------|-------------------|
| 7150-12V     | 12V LED Worklight |
| 7150-24V     | 24V LED Worklight |

**Features & Benefits**

- 4,500 Raw Lumens; 3,000 Effective Lumens
- Available in 12V DC or 24V DC configurations
- Flood, Spot & Trapezoidal beam patterns available
- Your choice of durable glass or polycarbonate (amber or clear) lens options
- Rugged solid state LEDs can withstand shock & vibration
- Long-lasting LEDs mean never having to replace another bulb again!
- Die-cast magnesium housing provides maximum protection
- Universal pedestal mount
- Available in a Combine Retrofit Kit (see online Photo Gallery)
- Overvoltage Protection: 150V peak for 400ms duration; 5 pulses at a 10s interval
- "XL" version for extreme industrial conditions also available

**General Specifications**

|                           |   |
|---------------------------|---|
| <b>Lens Pattern:</b>      | Flood, Spot, or Trapezoidal                             |
| <b>Lens Material:</b>     | Glass or Polycarbonate                                  |
| <b>Housing Material:</b>  | Die-Cast Magnesium                                      |
| <b>Mounting Hardware:</b> | (x1) 1/2" Mounting Bolt                                 |
| <b>Mounting:</b>          | Universal Pedestal Mount                                |
| <b>Connector:</b>         | Integrated 2-Pin Deutsch Weather-Proof Socket (DT04-2P) |
| <b>Mating Connector:</b>  | 2-Pin Deutsch Weather-Proof Plug (DT06-2S)              |

**Technical Specifications**

| 12V Version                   | 24V Version                   |
|-------------------------------|-------------------------------|
| 12V DC Input                  | 24V DC Input                  |
| 9-16V DC Operating Voltage    | 20-32V DC Operating Voltage   |
| 6.20 Amps @ 12V DC            | 3.00 Amps @ 24V DC            |
| Raw Lumen Output: 4,500       | Raw Lumen Output: 4,500       |
| Effective Lumen Output: 3,000 | Effective Lumen Output: 3,000 |

**Standards Compliance**

|                       |           |
|-----------------------|-----------|
| Buy America Compliant | SAE J575  |
| SAE J1113             | SAE J1455 |
| Sealed to IP67        |           |

**Applications**

|              |                  |               |
|--------------|------------------|---------------|
| Agricultural | Construction     | Fire & Rescue |
| Forestry     | Industrial       | Lawn & Garden |
| Military     | Mining           | Off-Highway   |
| Recreational | Specialty Trucks | Utility       |

**Additional Info**

Wires: Red=Positive, Black=Negative  
Transient Spike Protection: 150V Peak @ 1 HZ-100 Pulses

Dimensions in inches (mm in parentheses).  
Dimensions are for reference only.

J.W. Speaker Corporation Germantown, WI 53022 • www.jwspeaker.com • 262.251.6600 • speaker@jwspeaker.com

**Product Configurations**

**Features & Benefits**

**General Specifications**

**Technical Specifications**

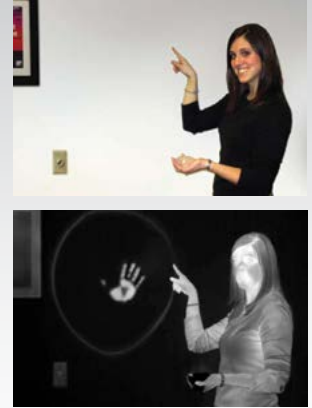
**Application Recommendations**

**Contact Information**

# Thermal Imaging

## How Does it Work?

Thermal Imaging cameras detect subtle differences in temperature and display them as black and white. Warmer objects appear light and cooler objects appear dark. Notice how the ice in the girl's left hand appears completely black. The differences in heat don't have to be significant for a thermal imaging camera to see them clearly either. The slightest friction from the girl's finger and heat from her hand leaves enough warmth on the wall to show up clearly to the thermal imaging camera. Just imagine how much more heat vehicles, people, and animals give off!



## See 4X Further Than Headlights!

Even under ideal conditions, headlights only allow drivers to see about 450 feet straight ahead. Driver visibility is limited by the beam pattern of the headlights. It is also possible to outrun your headlights when driving at highway speeds.



Thermal imaging cameras provide you with the necessary visibility to see pedestrians and wildlife over 1,000 feet away and vehicles even further—giving you more time to react, and more room to stop. They provide you with superior visibility in dark or extreme environments where headlights fall short—conditions such as rain, snow, fog, or smoke. Because thermal imaging cameras don't rely on light, you can see clearly up to 1,800 feet in total darkness!



## Greater Safety = Greater Profits

In today's high-cost world, a single accident can have a significant impact on your profitability. Insurance deductibles, equipment downtime, worker's compensation, and lawsuits can all add up rather quickly. We understand that you want to protect your assets and maximize your profits using best-in-class safety equipment and programs to avoid costly accidents.

# Model 9790

## Thermal Imaging System

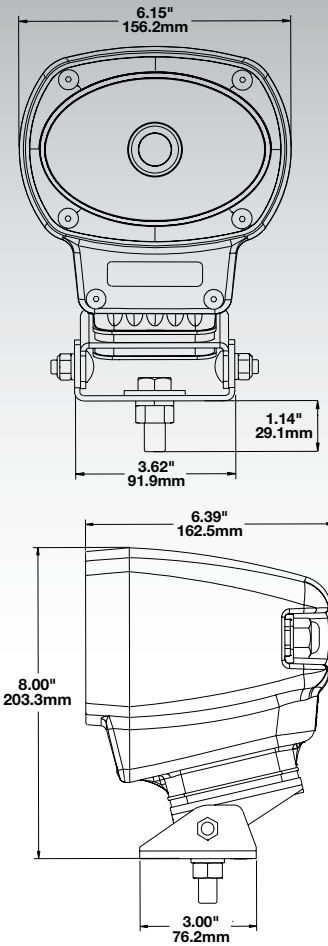


**Thermal Imaging Camera**



**Monitor**

- Sensor Type:** 320 x 240 Uncooled Microbolometer
- Input Voltage:** 12-24V DC
- Field of View:** 36° Horizontal x 27° Vertical
- Spectral Band:** 8-14 Microns (LWIR)
- Video:** Standard NTSC (9790)
- Frame Rate:** 30 Hz (9790)
- Power Dissipation:** 6W Max (Camera); 12W Max (Monitor)
- Operating Temperature:** -40°C to 80°C
- Standards:** Buy America Compliant, Sealed to IP67
- Mounting:** Universal pedestal mount
- Special Note:** Includes 12V power auxiliary video outputs for an external monitor



| Voltage   | Additional Information                 | Part #  |
|-----------|--|---------|
| 12-24V DC | Thermal Imaging Camera with Monitor    | 1705311 |
| 12-24V DC | Thermal Imaging Camera without Monitor | 1705301 |

Forward Lighting

Worklights

Emergency & Warning

Interior

Signal Lights

Thermal Imaging

Electronics

Heavy Duty Light Bars

Vehicle Identification

Service Parts

Reference

# Electronics

## EMI Filters



Model 631  
Page 150

---

## Wig-Wag Modules



Model 6170  
Page 151

---

## Electronic Flashers



Model 6310  
Page 152

---

## Converters



Model 6400  
Page 153

# Why Buy J.W. Speaker Electronics?

## A Complete Solution

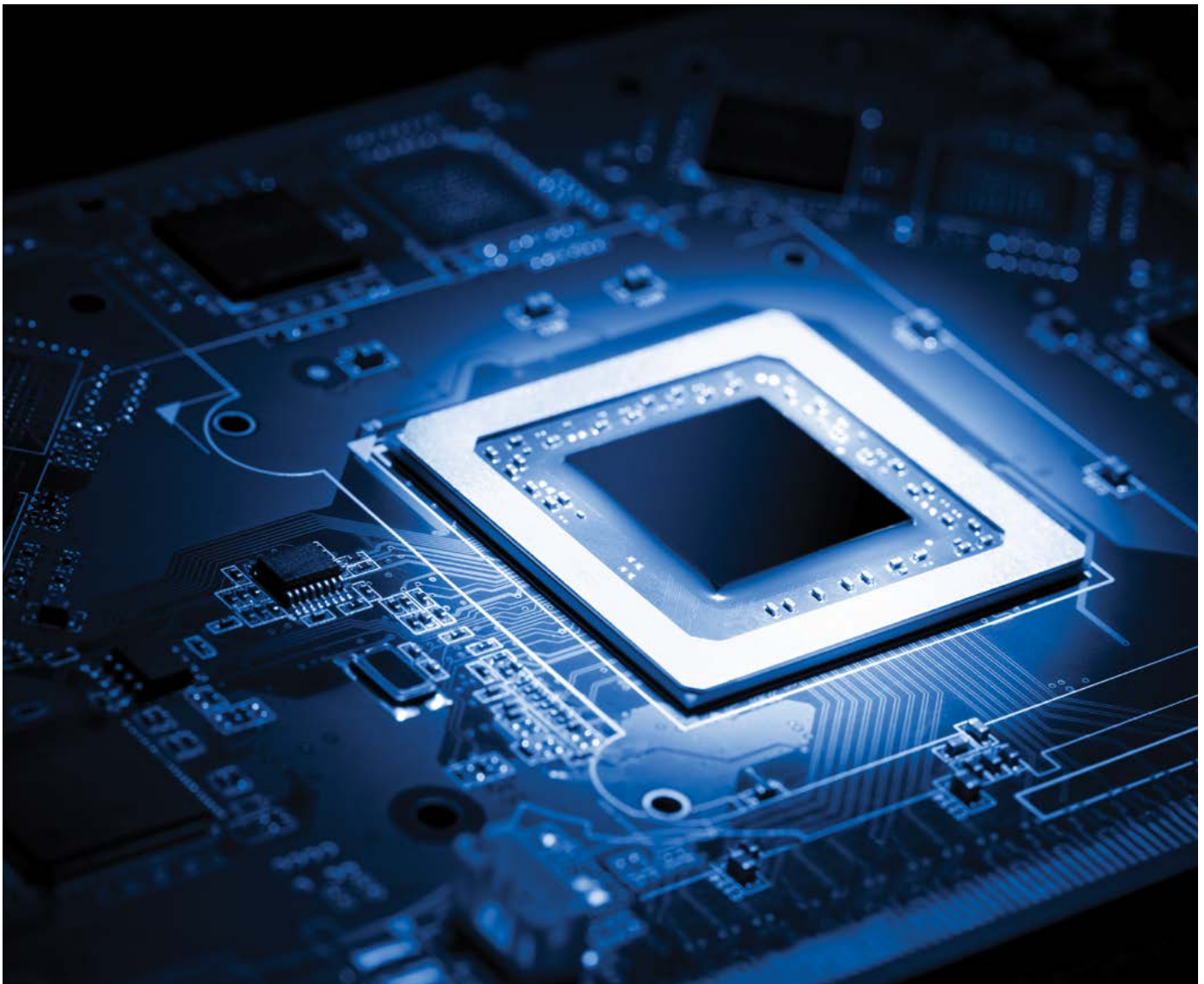
Not only does J.W. Speaker produce lights, but we also manufacture electronics to work with them. Buying J.W. Speaker electronics ensures that the lights and electronics have full compatibility and harmonization.

## Dependability

You can rest assured that all J.W. Speaker electronics are made with the same quality as our lighting products. Our electronic flashers, wig-wag modules, and converters are specifically designed to function in rugged applications and are extensively tested to comply with SAE, ECE, and Ingress Protection standards where applicable.

## Made in the U.S.A.

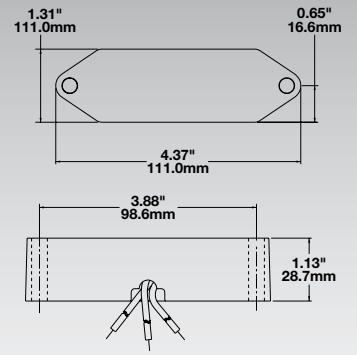
All of our electronics are proudly made at our headquarters in Germantown, Wisconsin. We maintain the highest quality standards in our production facilities, and we back our electronics with a Lifetime Limited Warranty (learn more about our warranty on page 158).



Forward Lighting  
Worklights  
Emergency & Warning  
Interior  
Signal Lights  
Thermal Imaging  
Electronics  
Heavy Duty Light Bars  
Vehicle Identification  
Service Parts  
Reference

# Model 631

## 1" x 4" EMI Filter



- Voltage Limit:** 50V DC

---

- Wire Gauge:** 16 Gauge

---

- Standards:** Buy America Compliant

---

- Mounting:** Low profile mount

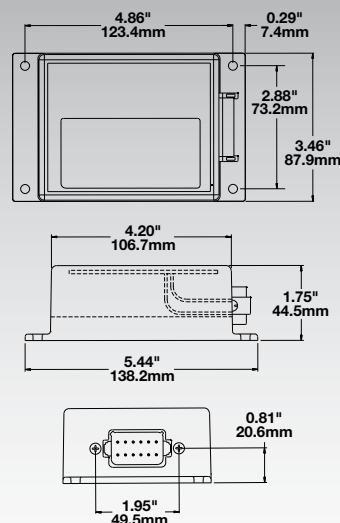
---

- Special Note:** Used to reduce electromagnetic interference in vehicle applications

| Voltage | Additional Information | Part #  |
|---------|------------------------|---------|
|         | EMI Filter             | 0829411 |

# Model 6170

## Daytime Running Light Wig-Wag Module



**Input Voltage:** 12-24V DC

**Output Voltage:** 5.00 Amps per side

**Input Current:** 15 Amps Max

**Output Current:** 0-5 Amps/Channel

**DRL Frequency:** 120 Hz +/- 10%

**DRL Duty Cycle:** 60% +/- 5%

**Wig Wag Frequency:** : 1.5 Hz +/- 10% (Normal);  
3.0 Hz +/- 10% (Fast)

**Wig Wag Duty Cycle:** 50% +/- 10%

**Standards:** ECE Reg. 10 (Radiated Emissions), SAE J2139 (Signal), Buy America Compliant

**Mounting:** Low profile mount

**Special Notes:** The Wig-Wag Module controls high beam and marker lights. Wig-Wag mode flashes driver and passenger side high beam & marker lights alternately at either normal (1.5 Hz), or fast (3.0 Hz) speed. High beam switch overrides Wig-Wag and DRL modes.

Forward Lighting

Worklights

Emergency & Warning

Interior

Signal Lights

Thermal Imaging

Electronics

Heavy Duty Light Bars

Vehicle Identification

Service Parts

Reference

| Voltage   | Additional Information | Part #  |
|-----------|------------------------|---------|
| 12-24V DC |                        | 0842191 |

Forward Lighting

Worklights

Emergency &amp; Warning

Interior

Signal Lights

Thermal Imaging

Electronics

Heavy Duty Light Bars

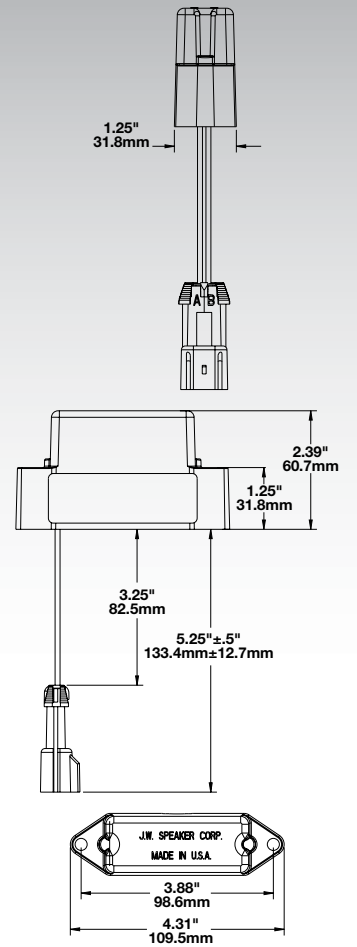
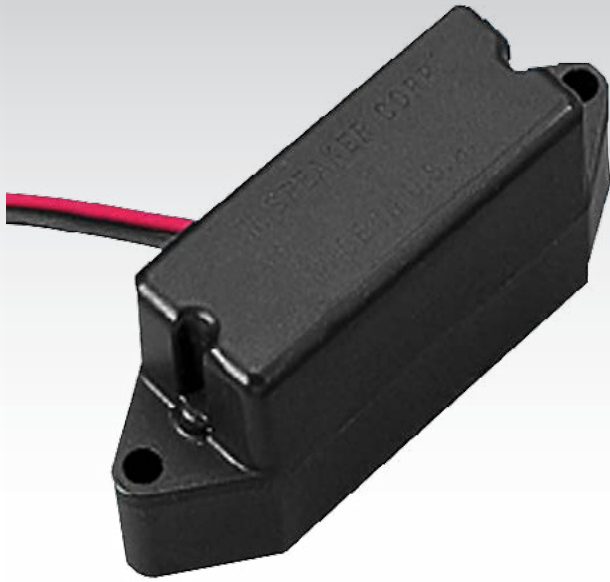
Vehicle Identification

Service Parts

Reference

# Model 6310

## Electronic Flasher



**Input Voltage:** 12-24V DC

**Max Current Draw:** 15.00 Amps @ 12V DC;  
15.00 Amps @ 24V DC

**Flash Rate:** 70 +/- 10 fpm

**Standards:** SAE J2139 (Signal), MIL-STD-461 (F),  
Buy America Compliant

**Mounting:** Low profile mount

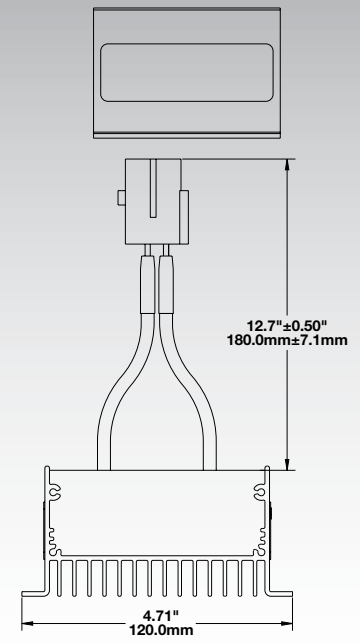
**Special Note:** Standard high-power FET output protects  
against short circuit and overheating

| Voltage   | Additional Information | Part #  |
|-----------|------------------------|---------|
| 12-24V DC |                        | 0841911 |



# Model 6400

## DC/DC Converter



**Input Voltage:** 24-48V DC

**Output Voltage:** 12V DC

**Standards:** Buy America Compliant

**Mounting:** Low profile mount

Forward Lighting

Worklights

Emergency & Warning

Interior

Signal Lights

Thermal Imaging

Electronics

Heavy Duty Light Bars

Vehicle Identification

Service Parts

Reference

| Voltage   | Additional Information   | Part #  |
|-----------|--------------------------|---------|
| 24-48V DC | Delivers up to 115 Watts | 0841541 |

Forward Lighting

# Model MB735

## 48" Heavy Duty LED Light Bar with 1 Strobe

Worklights

Emergency &amp; Warning

Interior

Signal Lights

Thermal Imaging

Electronics

Heavy Duty Light Bars

Vehicle Identification

Service Parts

Reference



**Light Source:** LED  
**Input Voltage:** 12V DC

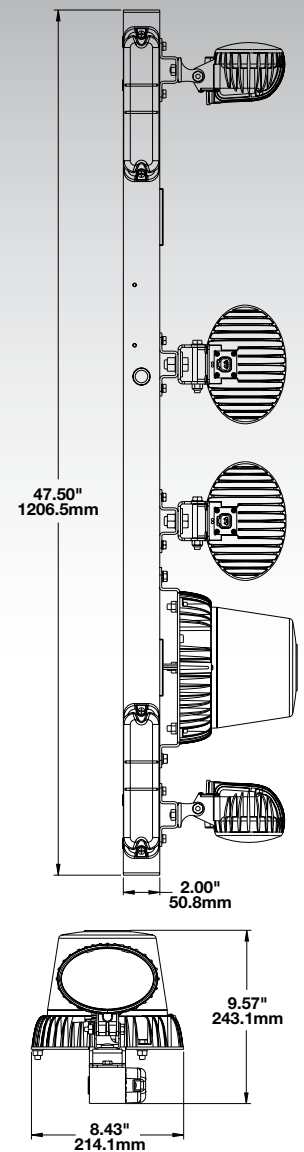
**Current Draw:**

**Model 281:** 0.80 Amps @ 12V DC  
**Model 735:** 7.00 Amps @ 12V DC  
**Model 7150:** 12.00 Amps @ 12V DC  
**Model 601:** 3.70 Amps @ 12V DC

**Standards:** Buy America Compliant

**Mounting:** 2 blind rivets on each side for M8 mounting bolt

**Configuration:** (x2) Model 735 Flood Worklights, (x2) Model 7150 Trap Worklights, (x2) Model 281 Signal Lights, and (x1) Model 601 Strobe Light



| Voltage | Additional Information      | Part #  |
|---------|-----------------------------|---------|
| 12V DC  | Light Bar with Amber Strobe | 0343751 |

# Model MB735

## 48" Heavy Duty LED Light Bar with 2 Strobes



**Light Source:** LED

**Input Voltage:** 12V DC

**Current Draw:**

**Model 281:** 0.80 Amps @ 12V DC

**Model 735:** 7.00 Amps @ 12V DC

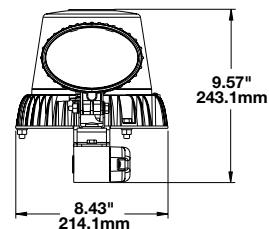
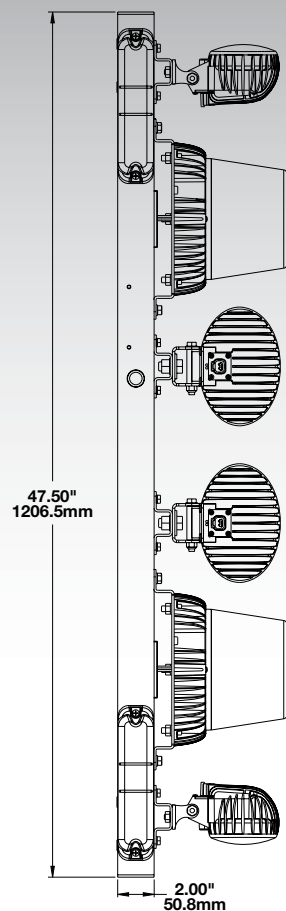
**Model 7150:** 12.00 Amps @ 12V DC

**Model 601:** 7.40 Amps @ 12V DC

**Standards:** Buy America Compliant

**Mounting:** 2 blind rivets on each side for M8 mounting bolt

**Configuration:** (x2) Model 735 Flood Light Worklights, (x2) Model 7150 Trap Worklights, (x2) Model 281 Signal Lights, and (x2) Model 601 Strobe Light



Forward Lighting

Worklights

Emergency & Warning

Interior

Signal Lights

Thermal Imaging

Electronics

Heavy Duty Light Bars

Vehicle Identification

Service Parts

Reference

| Voltage | Additional Information                | Part #  |
|---------|---------------------------------------|---------|
| 12V DC  | Light Bar with 2 Amber Strobes        | 0345381 |
| 12V DC  | Light Bar with 1 Amber & 1 Red Strobe | 0343761 |

# Model 255

## LED Vehicle Identification Sign



## The Dependable Choice

J.W. Speaker's Model 255 LED vehicle identification signs were specifically designed for applications that rely on visibility as a key component of on-the-job safety. We understand that mining and other industrial applications can be hard on vehicle identification signs. Shock, vibration, dirt, and sludge often take a heavy toll on traditional reflective and high contrast signage. The Model 255 is built to overcome these challenges with a powder-coated steel frame, epoxy lens, and high intensity LED light array. The heavy duty steel frame is easy to install and provides protection against the harsh elements and impacts associated with industrial use. The LEDs are maintenance-free and, because it's sealed to IP67, cleaning is as simple as spraying the sign with water. The Model 255 has been designed for continuous industrial use and carries a Lifetime Limited Warranty (read more about our warranty on page 158).

## The Versatile Choice

Rather than being locked into buying a three-digit, four-digit, etc. vehicle identification sign, J.W. Speaker's Model 255 LED vehicle identification sign comes as a single digit. Multiple signs can be linked together, allowing you to use as many digits as needed. The Model 255 is programmable, so it can be used and reused on any piece of equipment—eliminating the need for custom-made identification signs. An intuitive programming switch (sold separately) allows for quick, on-site changes to the display. The optional CANbus interface module allows the sign to interface with inputs such as vehicle load sensors. The sign automatically dims or brightens based on ambient lighting conditions for maximum visibility.

# Model 255

## LED Vehicle Identification Sign



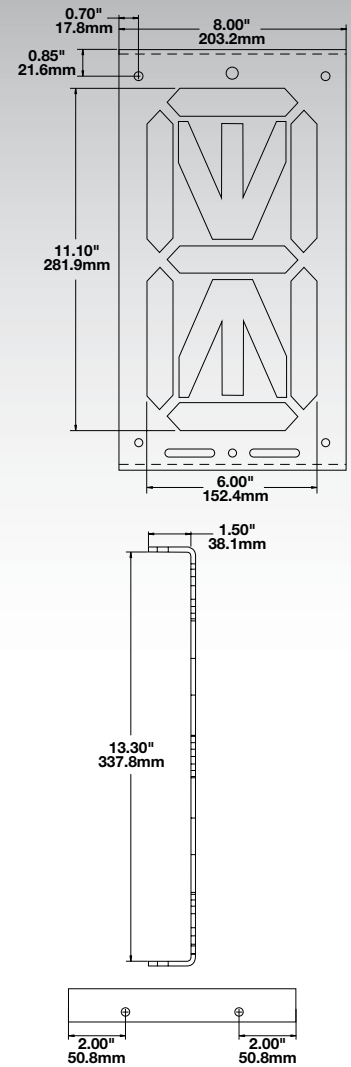
**Light Source:** LED

**Input Voltage:** 12-24V DC

**Current Draw:** 1.80 Max Amps @ 12V DC;  
0.90 Max Amps @ 24V DC

**Standards:** ECE Reg. 10 (Radiated Emissions), Buy America Compliant, Sealed to IP67

**Mounting:** Low profile mount



| Function                | Voltage   | Lens  | Size | LED Color | Part #  |
|-------------------------|-----------|-------|------|-----------|---------|
| Alphanumeric Board      | 12-24V DC | Epoxy | 8"   | Amber     | 0345261 |
| Alphanumeric Board      | 12-24V DC | Epoxy | 8"   | Blue      | 0345251 |
| Alphanumeric Board      | 12-24V DC | Epoxy | 8"   | Green     | 0345241 |
| Alphanumeric Board      | 12-24V DC | Epoxy | 8"   | Red       | 0345231 |
| Alphanumeric Board      | 12-24V DC | Epoxy | 11"  | Amber     | 0345211 |
| Alphanumeric Board      | 12-24V DC | Epoxy | 11"  | Blue      | 0344721 |
| Alphanumeric Board      | 12-24V DC | Epoxy | 11"  | Green     | 0344711 |
| Alphanumeric Board      | 12-24V DC | Epoxy | 11"  | Red       | 0344701 |
| Numeric Board           | 12-24V DC | Epoxy | 8"   | Amber     | 0345301 |
| Numeric Board           | 12-24V DC | Epoxy | 8"   | Blue      | 0345291 |
| Numeric Board           | 12-24V DC | Epoxy | 8"   | Green     | 0345281 |
| Numeric Board           | 12-24V DC | Epoxy | 8"   | Red       | 0345271 |
| Numeric Board           | 12-24V DC | Epoxy | 11"  | Amber     | 0345221 |
| Numeric Board           | 12-24V DC | Epoxy | 11"  | Blue      | 0344691 |
| Numeric Board           | 12-24V DC | Epoxy | 11"  | Green     | 0344681 |
| Numeric Board           | 12-24V DC | Epoxy | 11"  | Red       | 0344671 |
| Input Power Harness     | 12-24V DC |       |      |           | 3264601 |
| Programming Switch      |           |       |      |           | 3156831 |
| CANbus Interface Module |           |       |      |           | CALL    |

# Service Parts

|                        | Description  | Part #  |
|------------------------|--|---------|
| Worklights             | 1141-12V Incandescent Bulb (21 Candlepower)                  | 4805861 |
|                        | 1156-12V Incandescent Bulb (32 Candlepower)                  | 4802591 |
| Emergency<br>& Warning | 12" Wire Assembly with DT06-2S Connector                     | 3258910 |
|                        | 12" Wire Assembly with DT06-2S/PE 12015792 Connector         | 3262700 |
|                        | 1683-24V Incandescent Bulb (32 Candlepower)                  | 4830751 |
|                        | 35/35-12V Halogen Bulb                                       | 4831920 |
|                        | 4340-48V PAR36 Sealed Beam (Trap)                            | 4908971 |
| Interior               | 4411-12V PAR36 Sealed Beam (Trap)                            | 4903281 |
|                        | 862-12V Halogen Bulb (37 Watt)                               | 4831181 |
|                        | 881-12V Halogen Bulb (27 Watt)                               | 4830881 |
|                        | 889-12V Halogen Bulb (27 Watt)                               | 4831871 |
|                        | 894-12V Halogen Bulb (37.5 Watt)                             | 4830831 |
| Signal Lights          | 912-12.8V Incandescent Wedge-Style Bulb                      | 4831961 |
|                        | HID Ballast Adapter Kit (12V)                                | 3152411 |
|                        | HID Ballast Adapter Kit (24V)                                | 3152421 |
|                        | Housing for PAR36 Lamps (Includes Hardware)                  | 3154260 |
|                        | Anti-Flicker Harness for Model 8700 Evolution LED Headlights | 8000311 |
| Thermal<br>Imaging     | L Bracket  | 0703341 |
|                        | Model 150 Side Marker Light Carrier                          | 5856032 |
|                        | Model 250 Signal Light Replacement Amber Acrylic Lens        | 4428311 |
|                        | Model 270 Signal Light Replacement Amber Acrylic Lens        | 4401771 |
|                        | Model 270 Signal Light Replacement Red Acrylic Lens          | 4420511 |
| Electronics            | Model 400 Strobe Light Replacement Amber Lens                | 4429681 |
|                        | Model 800 Work Light Replacement Wide Flood Clear Lens       | 4429151 |
|                        | Model 8475 Replacement 6' Vehicle Charging Cord (12V DC)     | 3267220 |
|                        | Model 8800 Optional Double Bucket Mounting Assembly - LH     | 3156680 |
|                        | Model 8800 Optional Double Bucket Mounting Assembly - RH     | 3156600 |

# Service Parts

| Description  | Part #  |
|--|---------|
| Model TS3000R Amber Lens Cover                             | 5862921 |
| Model TS3000R Black Logo Lens Cover                        | 5862931 |
| Model TS3000R Blue Lens Cover                              | 5862911 |
| Model TS3000R Clear Lens Cover                             | 5862901 |
| Model TS3000V Amber Lens Cover                             | 5862501 |
| Model TS3000V Black Logo Lens Cover                        | 5861391 |
| Model TS3000V Blue Lens Cover                              | 5862511 |
| Model TS3000V Clear Lens Cover                             | 5862361 |
| Model TS3000V Inverted Black Logo Lens Cover               | 5862351 |
| Models 250 & 251 Signal Light Replacement Red Acrylic Lens | 4404481 |
| Models 400 & 537 Strobe Light Flashtube                    | 3148681 |
| Models 52 & 60 Rapid Charger Kit                           | 6600651 |
| Models 9710 & 9720 Flood Lens/Reflector Kit                | 3155021 |
| Models 9710 & 9720 HID Kit (Flood Lens/Reflector & Bulb)   | 3150831 |
| Models 9710 & 9720 HID Kit (Spot Lens/Reflector & Bulb)    | 3150821 |
| Models 9710 & 9720 HID Kit (Trap Lens/Reflector & Bulb)    | 3150811 |
| Models 9710 & 9720 Spot Lens/Reflector Kit                 | 3155031 |
| Models 9710 & 9720 Trap Lens/Reflector Kit                 | 3155041 |
| PS24W-12V Bulb Assembly                                    | 4831891 |
| Replacement HID Bulb                                       | 4832171 |
| Replacement Mounting Kit - Black                           | 8200121 |
| Replacement Mounting Kit - Stainless Steel                 | 8200101 |
| Replacement Push-Pull Switch                               | 0809231 |
| SP12-24V Halogen Bulb (45 Candlepower)                     | 4831091 |
| SP7-36V Halogen Bulb (32 Candlepower)                      | 4830931 |
| SP8-48V Halogen Bulb (32 Candlepower)                      | 4830941 |
| Wire Assembly with Packard #12020818 Connector             | 3253360 |

Forward  
Lighting

Worklights

Emergency  
& Warning

Interior

Signal Lights

Thermal  
Imaging

Electronics

Heavy Duty  
Light Bars

Vehicle  
Identification

Service  
Parts

Reference

# Lighting Terminology

Thanks to advancements in lighting technology, we enjoy some of the brightest, longest-lasting, and most efficient lighting options the world has ever seen. These technological advances have also led to an abundance of terminology. To help you stay informed and educated, here are some basic terms for understanding lighting technology.

## Quick Reference

**Watt:** a measure of the total power consumption of a light source

**Lumen:** a measure of the total visible light output of a light source

**Candlepower:** an obsolete term that has been replaced by “candela”

**Candela:** a measure of the intensity of a light source in a particular direction

**Foot-candles & Lux:** the amount of visible light falling on a surface

## Watts & Lumens

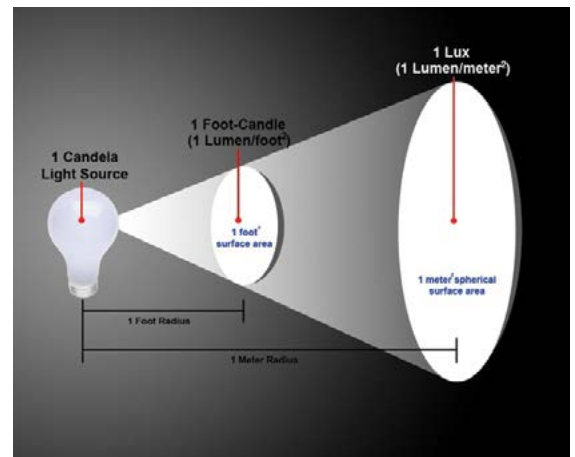
It is a common misperception that higher wattage equals higher light output—in part due to the fact that incandescent light output generally increases with wattage numbers. With LED technology, this is not the case. LEDs can emit the same, if not more light than a bulb, while consuming less power.

Watts are a measure of power consumption, while lumens are a measurement of visible light output. When you want to know how bright a light will be, you need to identify the lumen output value, not the wattage—especially when comparing LED and bulb-based lights.

## Candlepower & Candela

Though it was once the predominant unit of measure used to describe the intensity of a light source in a particular direction, the term “candlepower” is now obsolete. The current standard unit of measure is the “candela.”

One candela is close to the light intensity produced by an ordinary candle as perceived by the human eye, and addresses how bright a light source is in a particular direction. Candela are similar to lumens in that both deal with light output as perceived by the human eye. The key difference between the two is that candela is specifically a measurement of directional intensity.



## Foot-Candles & Lux

Both foot-candles and lux measure the same thing—the amount of visible light that falls on a surface. The difference is that the foot-candle uses the Imperial standard measuring system (feet, pounds, etc.), while the lux uses the metric system (meters, grams, etc.). A single foot-candle is equivalent to the amount of light that falls on a surface that is one foot away from a single candle, and a lux is the amount of light that falls on a surface one meter away from a candle. For conversion, one foot-candle is approximately equal to 10.764 lux.



# Raw vs. Effective Lumens

The lumen is a unit of measure used to describe the total visible light output emitted by a light source. Because many people base purchasing decisions solely on visual output, many LED lighting manufacturers boast high lumen numbers on product literature and packaging. What they may fail to clarify, however, is whether these big numbers are the **Raw Lumen output** or the **Effective Lumen output**.

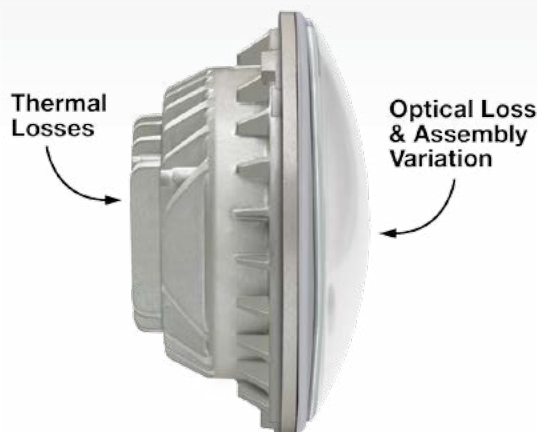
## Raw Lumens

Raw Lumens are **theoretical**, rather than the actual measure of useful light output. Manufacturers calculate Raw Lumen output by multiplying the number of LEDs in a light by their maximum output rating. For example, if a light uses 10 LEDs that have a maximum output rating of 100 lumens each, the Raw Lumen output would be 1,000 lumens (10 x 100 = 1,000). No photometric testing is necessary to come up with this number. The reason this is an unreliable metric is because it does not take into account real world factors that can decrease light output by as much as 75 percent:

**Thermal Losses:** LEDs heat up over time. As they heat up, their light output decreases.

**Optical Losses:** As light passes through any material (ex: a lens), it loses some of its intensity.

**Assembly Variation:** Manufacturing processes cannot guarantee that all lamps will be exactly the same.



For more information, visit the Reference section of our website at [www.jwspeaker.com](http://www.jwspeaker.com)

## Effective Lumens

Effective Lumens are an **actual measurement** that take into account all of these real world losses. Measuring the Effective Lumen output of a light requires the use of high-tech photometry equipment. Because of the cost and expertise involved, some manufacturers opt to cut corners and simply use the theoretical Raw Lumen value. This makes an apples-to-apples comparison between lights very difficult, because customers purchasing based on a Raw Lumen value are very likely to get lower output than advertised.

Here's a practical example:

- LED light No. 1 has an output rating of 2,000 Raw Lumens, but only 1,000 Effective Lumens.
- LED light No. 2 has an output rating of 3,000 Raw Lumens, but only 500 Effective Lumens.

Based solely on Raw Lumens, No. 2 would be the clear choice. However, turn both lights on, and light No. 1 would be twice as bright as light No. 2 because it has the higher Effective Lumen output.

To get the entire picture, J.W. Speaker encourages you to challenge manufacturers and lighting sales reps to provide both the raw and the effective output numbers.

# EMI (Electromagnetic Interference)

Electromagnetic Interference (EMI) refers to a disturbance that affects an electrical circuit. Lights can both **cause and be the victim of** EMI issues in your vehicle. For this reason, it is important to have a basic understanding of EMI and to look for lights that have been adequately designed and tested to reduce its effects.

## Five Types of EMI

- **Radiated Emissions:** Electromagnetic noise emitted by a light through the air that can interfere with other electronics (ex. cell phone, radio, etc.).
- **Conducted Emissions:** Electromagnetic noise conducted down a power line in a vehicle which can interfere with other electronic components in the vehicle.
- **Radiated Immunity:** The tolerance of a light to inbound electromagnetic noise in the atmosphere. Any broadcast signal (cell phone, radio tower, etc.) can interfere with a light if it is not properly designed.
- **Conducted Immunity:** The tolerance of a light to inbound electromagnetic noise conducted on vehicle power lines.
- **Electrostatic Discharge (ESD):** A sudden flow of electricity between two objects, such as when you shuffle your feet on carpeting and then touch someone to give them a shock.

## Component Level vs. Vehicle Level

For OEM applications, lighting manufacturers focus on testing their products at a component (light) level. This is done to make sure that the lights will not cause a vehicle-level EMI failure or interfere with other electronics in the vehicle. OEMs then test at a vehicle level to ensure that it meets regulatory requirements.

## Standard vs. Custom Products

At J.W. Speaker, we design and manufacture both standard and custom products. For our standard products, we've established a set of high standards by which we design and test for electromagnetic compliance. For custom products, we design, test, and manufacture to meet your exact specifications. In the event that you do not have EMI specifications, we'll provide you with a list of EMI standards to review and approve before we start on the design.

## Testing Capabilities

J.W. Speaker has EMI testing equipment on-site at our production facility which enables us to do all of the following:

### SAE J1445

- Load Dump (Pulse 5) (J1113/11)
- Inductive Switching (Pulse 1/2) (J1113/11)
- Burst Transients (Pulse 3a/3b) (J1114/11)
- Starter Motor Engagement (Pulse 4) (J1113/11)
- Electrical Fast Transients (J1113/12)
- Chattering Relay (J1113/12)
- 4.13.3.4.1 Radiated Emissions (J1113-41)
- 4.13.3.4.4 Conducted Emissions, DC Power Leads (J1113-41)

### ESD

- SAE J1113-13 (SAE J1455)
- ISO 10605
- IEC 61000-4-2 (EN 12895)

### EN 12895 Industrial Trucks Electromagnetic Capability

- EN 55022 With Exception of the Antenna Height
- CISPR 12
- CISPR 22
- CISPR 25
- Mil STD – 461F (Army Mobile Emissions ONLY)

### SAE J2139

- Load Dump
- Inductive Switching
- Mutual

### ECE Reg 10

- Broadband Electromagnetic Emissions
- Narrowband Electromagnetic Emissions
- Immunity: ISO11452-4
- ISO 7637-2 Pulses 1, 2a, 3a, 3b, 4
- ISO 7637-2 Emission of Conducted Disturbances

# Ingress Protection Ratings

The IP Code outlines a system of classification for the protection of electrical enclosures against the intrusion of foreign bodies (ex. tools, fingers, dust, moisture, etc.). The system of classification was specified by the International Electrotechnical Commission and is officially designated as IEC 60529. The rating is specified by the letters IP followed by two digits (ex. IP25, IP68, etc.).

## First Number – Degree of Ingress Protection

The first number of the IP code indicates the degree of protection against contact with moving parts and the degree that the equipment is protected against solid foreign bodies intruding into an enclosure.

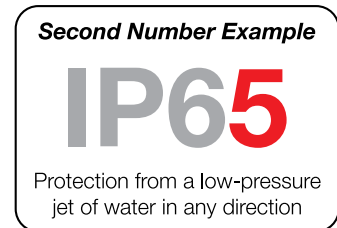
- 0 - No protection provided
- 1 - Protection against entry of objects larger than 50 square mm
- 2 - Protection against entry of objects larger than 12 square mm
- 3 - Protection against entry of objects larger than 2.5 square mm
- 4 - Protection against entry of objects larger than 1.0 square mm
- 5 - Protection against entry of dust in sufficient quantity to prevent satisfactory operation
- 6 - Complete Protection against entry of dust



## Second Number – Degree of Moisture Protection

The second number indicates the degree of protection for the equipment inside the enclosure against the harmful entry of various forms of moisture (ex. dripping, spraying, submersion, etc.).

- 0 - No protection provided
- 1 - Protection against drops of water falling vertically
- 2 - Protection against drops of water falling vertically when the luminaire is tilted up to 15 degrees from its normal position
- 3 - Protection from entry of water spray from angle of up to 60 degrees from vertical
- 4 - Protection from entry of water splashes or sprays from any direction
- 5 - Protection from a low-pressure jet of water in any direction
- 6 - Protection against heavy seas or a strong jet of water in any direction
- 7 - Protection against immersion up to 1 meter
- 8 - Protection against submersion over 1 meter



## IP69K: A Higher Standard

German standard DIN 40050-9 extends the IEC 60529 rating system described above with an IP69K rating for high-pressure, high-temperature wash-down applications. Such enclosures must not only be dust tight (IP6\_), but also able to withstand high-pressure and steam cleaning. The test specifies a spray nozzle that is fed with 80°C water at 8–10MPa (80–100bar) and a flow rate of 14–16L/min. The nozzle is held 10–15 cm from the tested device at angles of 0°, 30°, 60° and 90° for 30 seconds each. The test device sits on a turntable that rotates once every 12 seconds (5rpm).

# Regulatory Standards

J.W. Speaker designs and tests our products to meet various regulatory standards from around the globe. This includes, but is not limited to, the following:



## ADR

The Australian Design Rules are national standards for vehicle safety, anti-theft, and emissions.



## ASABE Standards

American Society of Agricultural and Biological Engineers regulates certain products used on agricultural equipment.



## CE Recognized

The CE marking certifies that a product has met EU consumer safety, health, and environmental requirements.



## FMVSS 108 (DOT)

Within the United States, the Federal Motor Vehicle Safety Standard (FMVSS) 108 regulates all automotive lighting, signaling, and reflective devices. The United States Department of Transportation (DOT) enforces these standards.



## ECE Standards

Many countries recognize the United Nations Economic Commission for Europe (ECE) Transport Division's regulations. Countries often mirror the content of these ECE regulations in their own national requirements or permit the use and importation of ECE-approved vehicles.



## SAE Standards

SAE International is a standards development organization for the engineering of powered vehicles. This includes cars, trucks, boats, aircrafts, and more. The SAE standards are mainly used in the U.S. and Canada and do not recognize ECE approvals.



Transport Canada

## Transport Canada

Transport Canada is responsible for developing regulations, policies, and services relating to transportation in Canada.



## UL Recognized

Underwriters Laboratories (UL) is an independent product safety certification organization. UL develops standards and test procedures chiefly dealing with product safety. UL is one of several companies approved for such testing by the U.S. federal agency OSHA. OSHA maintains a list of approved testing laboratories, known as Nationally Recognized Testing Laboratories.

# Headlight Condensation

When people see condensation on the inside of their headlight, they may initially think that the product is defective. The truth is that all headlights experience **some** degree of condensation because moisture exists inside the headlight—in the air that's sealed inside, in the plastic components, etc.

## Condensation

When the air inside the headlight warms up, moisture will collect on the coolest surface (typically the inside of the outer lens) and manifest itself as small droplets of water or fog. Typically this moisture will evaporate and disappear within 30-60 minutes. Because this is a natural process that can impact **all** lights, condensation is not considered a manufacturing defect, and is not covered by our Lifetime Limited Warranty.

## Water Ingress

Water ingress, on the other hand, is a completely different issue. Water ingress describes water making its way into the headlight from outside, and typically indicates the presence of a sealing defect. You can identify water ingress by looking for large droplets of water or pooling of water inside the headlight that doesn't go away over time.

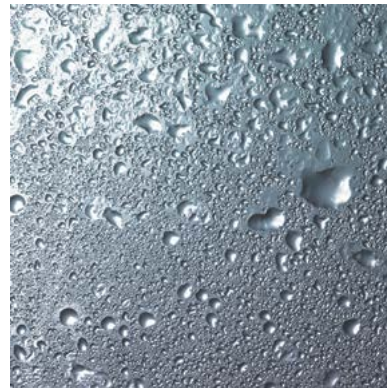
If a headlight suffers from water ingress as the result of physical abuse and/or misuse, it would not constitute a manufacturing defect. Please note that proper use requires that factory-issued connectors are installed and correctly positioned. If you experience water ingress as the result of proper use, please contact the J.W. Speaker authorized dealer where you purchased the product.

### Condensation Example



- Small amounts of moisture/fog
- Evaporates in 30-60 minutes

### Water Ingress Example



- Large droplets or pools of water
- Doesn't evaporate, indicative of a leak

# Warranty Statements

## AFTERMARKET BULB-BASED PRODUCT WARRANTY

All J.W. Speaker's bulb-based aftermarket products (those with HID, halogen or incandescent light sources) come with a Limited Warranty against defects in materials, components and workmanship for one year from the original date of purchase. This One Year Limited Warranty does not cover bulbs or sealed beams, nor does it cover claims resulting from:

- Abuse, neglect and/or accidents
- Modifications and/or alterations
- Improper installation and/or use
- Chemicals and/or cleaners
- Voltage transients and/or spikes

In the unlikely event that you experience a problem that falls within the terms of this One Year Limited Warranty, J.W. Speaker will, at its discretion, either replace or refund the purchase price of the product.

This aftermarket product warranty is exclusive. J.W. Speaker has no other liability or obligation related to products. No other warranties are made, either express or implied, including without limitation, any implied warranties of title, non-infringement, merchantability or fitness for a particular purpose.

## AFTERMARKET LED PRODUCT WARRANTY

All J.W. Speaker aftermarket LED products come with a Lifetime Limited Warranty against defects in materials, components and workmanship. This Lifetime Limited Warranty is not transferrable and applies to the original installation of the J.W. Speaker LED light as long as the original consumer/purchaser owns the vehicle (lifetime). Please note that this warranty does not cover claims resulting from:

- Abuse, neglect and/or accidents
- Modifications and/or alterations
- Improper installation and/or use
- Chemicals and/or cleaners
- Voltage transients and/or spikes

In the unlikely event that you experience a problem that falls within the terms of this Lifetime Limited Warranty, J.W. Speaker will, at its discretion, either replace or refund the purchase price of the product. To make a warranty claim, simply return the product (along with all of the factory-issued components) to the J.W. Speaker authorized dealer where the product was originally purchased and complete a warranty claim form.

This aftermarket product warranty is exclusive. J.W. Speaker has no other liability or obligation related to products. No other warranties are made, either express or implied, including without limitation, any implied warranties of title, non-infringement, merchantability or fitness for a particular purpose.

# Warranty Claim Process

## Customers:

In the unlikely event that you experience a problem with a J.W. Speaker product, please follow these steps:

1. Return the product, along with all of the factory-issued components (ex. connectors, hardware, etc.) that came in the box to the J.W. Speaker authorized dealer where the product was originally purchased.
2. Complete a J.W. Speaker Warranty Claim Form.

## Dealers:

In the unlikely event that a customer experiences a problem with a J.W. Speaker product, please follow these steps:

1. Have the customer return the product to you, along with all of the factory-issued components (ex. connectors, hardware, etc.) that came in the box.
2. Gain an understanding of the problem your customer is experiencing with the product and examine the product for yourself.
3. Confirm that the problem falls within the terms of the product warranty (found on the previous page).
4. If the problem falls within the terms of the product's warranty, please contact your J.W. Speaker Customer Service Representative, who will provide you with an RMA # and a copy of the J.W. Speaker Warranty Claim Form.
5. Complete the J.W. Speaker Warranty Claim Form, enclose it with the product, and ship them back to J.W. Speaker.

Our Quality Assurance (Q.A.) Team will conduct a thorough investigation of the problem. Your J.W. Speaker Customer Service Representative will subsequently contact you with the Q.A. Team's findings and discuss next steps (ex. returning the product, issuing a credit, etc.). If, at any point, you have questions about our warranty policies, the claim process, or the status of a claim, please do not hesitate to contact your J.W. Speaker Customer Service Representative.



# Model Number Index

| <b>Model #</b>                        | <b>Page #</b> | <b>Model #</b>         | <b>Page #</b> |
|---------------------------------------|---------------|------------------------|---------------|
| Model 60                              | 44            | Model 280              | 138           |
| Model 70                              | 46            | Model 281              | 139           |
| Model 90                              | 14-15         | Model 282              | 108           |
| Model 125                             | 116           | Model 283              | 140           |
| Model 146                             | 92            | Model 284              | 93            |
| Model 150 Dome Light                  | 106           | Models 400 & 401       | 94            |
| Model 150 Signal Light                | 117           | Model 404              | 95            |
| Model 151                             | 118           | Model 405              | 96            |
| Model 157                             | 119           | Model 408              | 109           |
| Model 170                             | 120           | Models 410 & 411       | 110           |
| Model 186                             | 107           | Model 412 Dome Light   | 111           |
| Model 206                             | 121           | Model 412 Signal Light | 141           |
| Model 212                             | 122           | Model 417              | 112           |
| Model 217                             | 123           | Model 419              | 113           |
| Model 223                             | 124           | Model 450              | 142           |
| Model 224                             | 125           | Model 515              | 16            |
| Model 232                             | 126           | Model 523              | 48            |
| Model 236                             | 127           | Model 523 Portable     | 47            |
| Model 245                             | 128           | Model 523 Tripod       | 50            |
| Model 255                             | 156           | Model 523 XL           | 49            |
| Model 260                             | 129           | Model 524              | 51            |
| Model 261                             | 130           | Model 526 XL           | 52            |
| Model 262                             | 131           | Model 527 RED          | 97            |
| Model 263                             | 132           | Models 538 & 539       | 98            |
| Model 265                             | 133           | Model 541              | 99            |
| Model 265 Mounting Bracket Assemblies | 134           | Model 601              | 100           |
| Model 267                             | 135           | Model 601 XL           | 101           |
| Model 270                             | 136           | Model 623              | 54            |
| Model 272                             | 137           |                        |               |



# Model Number Index

| Model #                     | Page #  |
|-----------------------------|---------|
| Model 631                   | 150     |
| Model 660                   | 56      |
| Model 670 XD                | 57      |
| Model 680 XD                | 58      |
| Model 735                   | 59      |
| Model 735 XL                | 60      |
| Model 736                   | 61      |
| Model 770 XD                | 62      |
| Models 770 BLU & 770 RED    | 102     |
| Model 771 XD                | 63      |
| Model 775 XD                | 64, 143 |
| Model 776 XD                | 65      |
| Model 778 XD                | 66      |
| Model 781                   | 67      |
| Model 783                   | 68      |
| Model 803                   | 69      |
| Model 806                   | 70      |
| Model 832                   | 17, 71  |
| Model 832 XL                | 72      |
| Model 840 XD                | 73      |
| Model 840 XD Vertical Flood | 74      |
| Model 880 XD                | 76      |
| Model 881 XD                | 77      |
| Model 4410                  | 78      |
| Model 4410 XL               | 79      |
| Model 6020                  | 80      |
| Model 6040                  | 81      |
| Model 6042                  | 144     |
| Model 6045                  | 18      |

| Model #                                 | Page # |
|---|--------|
| Model 6048                              | 19     |
| Model 6130                              | 20     |
| Model 6145                              | 22     |
| Model 6150                              | 24     |
| Model 6170                              | 151    |
| Model 6310                              | 152    |
| Model 6400                              | 153    |
| Model 7150                              | 82     |
| Model 7150 XL                           | 83     |
| Model 7151                              | 84     |
| Model 8415                              | 25     |
| Model 8475                              | 86     |
| Model 8630                              | 26     |
| Model 8630 Optional Mounting Assemblies | 31     |
| Model 8655                              | 27     |
| Model 8700 Evolution                    | 28     |
| Model 8700 High Beam Only               | 30     |
| Model 8700 Optional Mounting Assemblies | 31     |
| Model 8700 Anti-Flicker Harness         | 28     |
| Model 8770                              | 32     |
| Model 8800                              | 33     |
| Model 8800 High/Low                     | 34     |
| Model 8900                              | 35     |
| Model 9049 Light Bars                   | 36     |
| Models 9710 & 9720                      | 88     |
| Model 9790                              | 147    |
| Model MB735                             | 154    |
| Model TS3000R                           | 38     |
| Model TS3000V                           | 39     |

# Speaker<sup>®</sup>

Engineered Lighting Solutions

**Toll-Free: 800.558.7288**

**Get the Latest News from J.W. Speaker**

Like, follow, and subscribe to J.W. Speaker on the web!



**Phone: +1 262.251.6660**

**Web: [www.jwspeaker.com](http://www.jwspeaker.com)**

**Email: [speaker@jwspeaker.com](mailto:speaker@jwspeaker.com)**