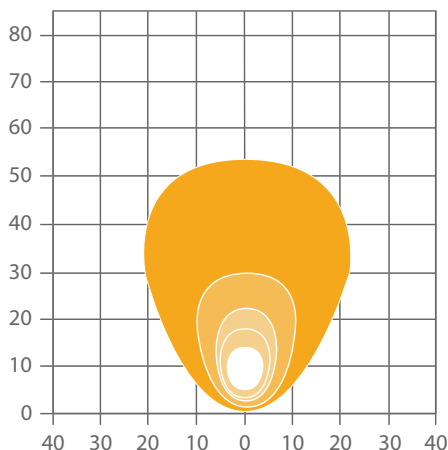
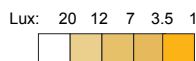
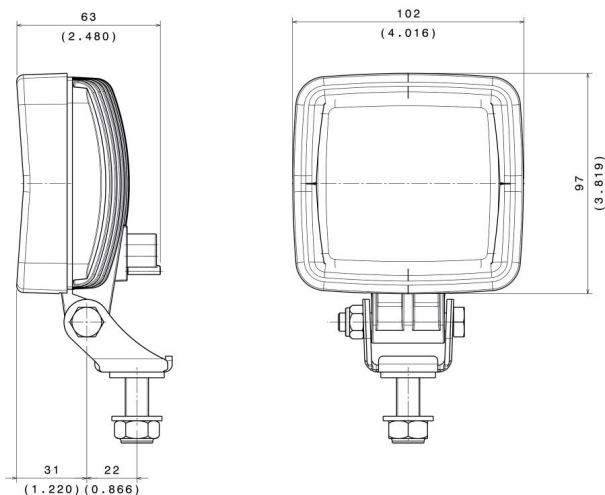
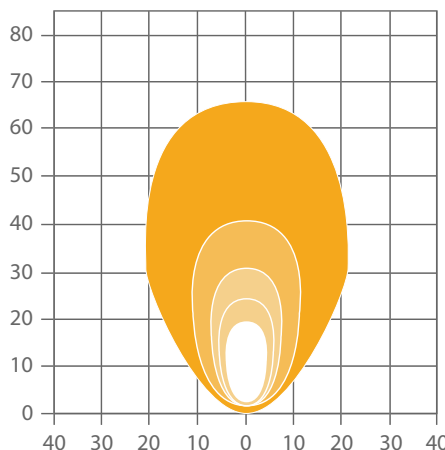


ABL SLA LED2000

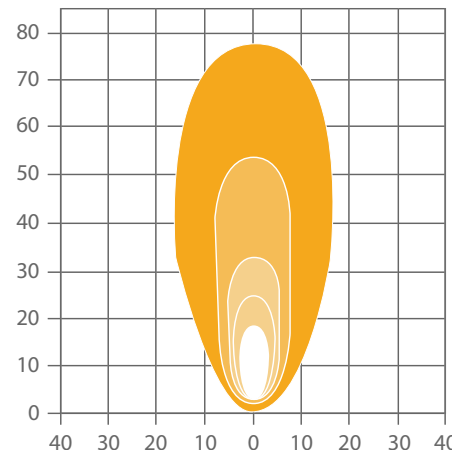
Compact LED Series



Asymmetrical Flood



Flood



Long Range

Description

The ABL SLA LED2000 is a standard work light that includes features such as 2000 lumens, 29 watts and EMC CISPR25 class 5 as well as the integrated load dump to meet the most severe specifications.

Application

Heavy equipment, mining, construction, road and utility equipment, forestry, agriculture

Tech Specs

Voltage	12-24V DC
Tech	LED
Wattage	29W
Current	1.2A @ 24V DC
Lumens	2000 Lu
Operating Temperature	-40°C to +85°C
Beam Pattern	Flood, Long Range or Asymmetrical Flood
Connector	AMP 2 pin, DT 2 pin
Mounting	Pedestal, suspended
Lens Material	Hardened glass, Plastics
Dimensions (DxLxH)	2.24x3.97x3.81" inches (57x101x97mm)
Weight	1.21 lbs (0.55kg)
Load Dump / Surge Dump	Surge: 36V continuous / ISO 7637-2 Pulse 5a
IP Rating	IP68 / 69K
Polarity	Protected against reverse voltage
Salt Spray Test	ISO 9227
Vibration Resistance	15 Grms @ 24-2000Hz
Shock Resistance	60G
EMC	ISO 13766, ISO 14982, ISO 12985, CISPR25 Class 5
Warranty	4 Years

Part No.	Description
SLA2000F	Flood, 2000 Lu, 12-24V DC, 1.2A @ 24V DC, 29W
SLA2000LR	Long Range, 2000 Lu, 12-24V DC, 1.2A @ 24V DC, 29W
SLA2000FA	Asymmetrical Flood, 2000 Lu, 12-24V DC, 1.2A @ 24V DC, 29W



Authorised Importer and Master Distributor

