

ECCO 7975 / 7980 Series

Pulse II LED Beacon



Description

ECCO's Heavy Duty 7975 and 7980 Series LED beacons feature encapsulated electronics and are ideally suited to severe vibration applications including mining, construction and waste management. Offering Pulse8 flash pattern and 12-24 VDC operation these, heavy duty beacons also feature a robust aluminum base, both models are available with either a 5" (7975) or 7" (7980) height profile. Each version offers a combined 3 bolt/1" pipe mounting and a 5-year warranty.

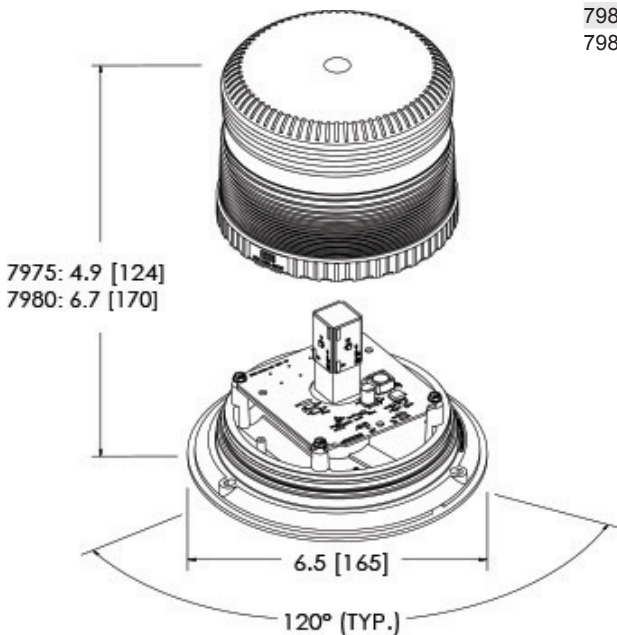
Features and Benefits

- Choose profile height 5" (7975) or 7" (7980)
- 11 flash patterns
- Encapsulated electronics provide enhanced protection against dust, moisture and vibration
- Epoxy-filled, reinforced aluminum base, suitable for heavy-duty applications
- Polycarbonate lens

Tech Specs

Voltage	12-24V DC
Amps	3.6A @ 12-24V DC
Flash Patterns	11
Base	Aluminum
Colour Options	Amber, Blue, Clear, Red or Green
Mount	3 Bolt / 1" Pipe Mount
Temperature Range	-22°F to +122°F (-30°C to +50°C)
Standards Compliances	SAE CLASS I (Amber & Blue only), SAE CLASS II (Blue only), CE, R10
Warranty	5 Years

Part No.	Description
7975A	12-24V DC, 3.6A @ 12-24V DC, Amber, 3 bolt / 1" Pipe Mount
7975B	12-24V DC, 3.6A @ 12-24V DC, Blue, 3 bolt / 1" Pipe Mount
7975C	12-24V DC, 3.6A @ 12-24V DC, Clear, 3 bolt / 1" Pipe Mount
7975R	12-24V DC, 3.6A @ 12-24V DC, Red, 3 bolt / 1" Pipe Mount
7975G	12-24V DC, 3.6A @ 12-24V DC, Green, 3 bolt / 1" Pipe Mount
7980A	12-24V DC, 3.6A @ 12-24V DC, Amber, 3 bolt / 1" Pipe Mount
7980B	12-24V DC, 3.6A @ 12-24V DC, Blue, 3 bolt / 1" Pipe Mount
7980C	12-24V DC, 3.6A @ 12-24V DC, Clear, 3 bolt / 1" Pipe Mount
7980R	12-24V DC, 3.6A @ 12-24V DC, Red, 3 bolt / 1" Pipe Mount
7980G	12-24V DC, 3.6A @ 12-24V DC, Green, 3 bolt / 1" Pipe Mount



Authorised Importer and Master Distributor

