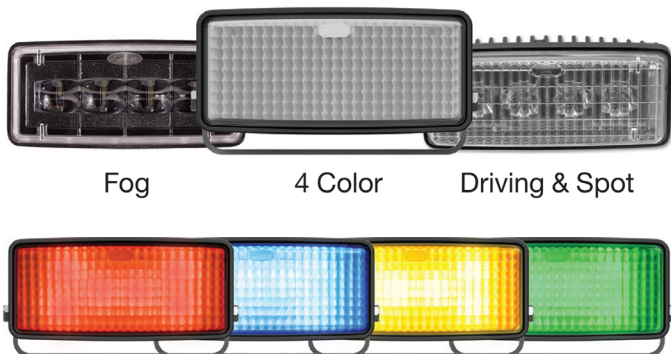


J.W. Speaker Model 6048

LED Auxiliary Lights



Description

The Model 6048 is the perfect retrofit for GE H4360-12V sealed beams. The durable construction and bright, white light produced by state-of-the-art LEDs combine to make the Model 6048 brighter and more reliable than any bulb-based 5" x 2" light could ever be. Available in multiple beam pattern configurations, polycarbonate lens resists ultraviolet rays, and durable die-cast aluminum housing.

A new addition to the Model 6048 Series is the stunning LED 4 Color Auxiliary Light. Expertly designed with multiple LED colors instead of colored lenses, this light has a clearer and more attention-getting ray of light. Built with versatility in mind, this LED 4 Color Light can be mounted on a variety of vehicles and work-sites.

Features

- Sold as single lights
- Illuminating LED lights available in: 4 Color, Driving, Spot, & Fog
- LED 4 Color available in pedestal mount
- LED Driving, Spot, and Fog beam patterns available in flush mount
- Hard coated polycarbonate lens resists ultraviolet rays and abrasion
- Durable aluminum housing
- High-powered LEDs to outlast stock lights
- 12-24V input voltage options suitable for various types of application

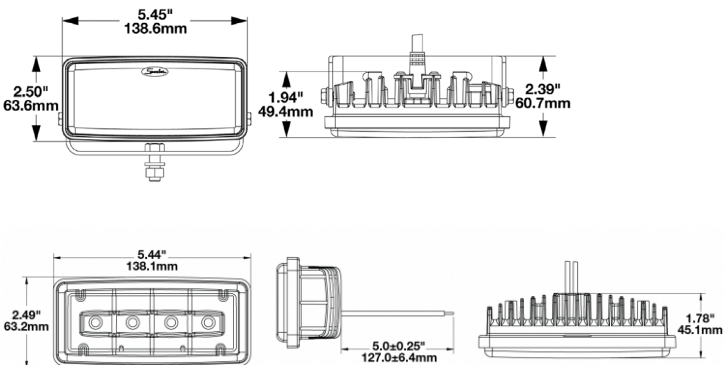
Applications

Agriculture, Construction, Industrial, Material Handling, Mining, Off-Road 4x4, Railroad, Specialty Vehicles, Truck & Bus

Tech Specs

Raw Lumen Output	Spot/Driving: 1,280 Fog: 800
Effective Lumen Output	Spot: 520 Driving: 430 Fog: 250
Candela Output	Spot: 8,600 Driving: 3,000
Connector/Wiring	Bare Leads
Operating Voltage	Driving & Spot: 9-32V DC Fog: 9-18V DC
Current Draw	1.2A @ 12V DC; 0.6A @ 24V DC

Part No.	Description
0543591	12-24V LED Auxiliary Light with Diving Beam Pattern
0548631	12-24V LED Auxiliary Light with Spot Beam Pattern
0549691	12V SAE/ECE LED Auxiliary Light with Fog Beam Pattern
0647101	12-24V LED Color Auxiliary Light - (Red/Blue/Amber/Green)



Authorised Importer and Master Distributor

APS USA
sales@aps-supply.com
P: 1 619 263 4164

APS Australia
sales.apsa@aps-supply.com
P: 61 (8) 9302 2369 (WA)
P: 61 (02) 4915 6781 (NSW)

APS Colombia
ventascolombia@aps-supply.com
T: 57 (4) 444 7275

APS Chile
ventaschile@aps-supply.com
T: 56 (2) 2948 8044

APS Perú
ventasperu@aps-supply.com
T: 56 (2) 2948 8044

APS Indonesia
techcenter@aps-supply.com



APS Contact Page