

ECCO 7970, 7975 and 7980

Pulse II LED Beacon



7975

Description

ECCO's Heavy Duty 7970, 7975 and 7980 Series LED beacons feature encapsulated electronics and are ideally suited to severe vibration applications including mining, construction and waste management. Offering Pulse8 flash pattern and 12-24 VDC operation these, heavy duty beacons also feature a robust aluminum base, both models are available with either a 5" (7975) or 7" (7970 and 7980) height profile. Each version offers a combined 3 bolt/1" pipe mounting and a 5-year warranty.

Features and Benefits

- Choose profile height 5" (7975) or 7" (7970 and 7980)
- 11 flash patterns
- Encapsulated electronics provide enhanced protection against dust, moisture and vibration
- Epoxy-filled, reinforced aluminum base, suitable for heavy-duty applications
- Polycarbonate lens

Tech Specs

| | |
|-----------------------|--|
| Voltage | 12-24V DC |
| Amps | 3.6A @ 12-24V DC |
| Flash Patterns | 11 |
| Base | Aluminum |
| Colour Options | Amber, Blue, Clear, Red or Green |
| Mount | 3 Bolt / 1" Pipe Mount |
| Temperature Range | -22°F to +122°F (-30°C to +50°C) |
| Standards Compliances | SAE CLASS I (Amber & Blue only), SAE CLASS II (Blue only), CE, R10 |
| Warranty | 5 Years |

Part No.

Description

| | |
|-------|--|
| 7970A | Amber, 12-24V DC, 3.6A @ 12-24V DC, 3 bolt / 1" Pipe Mount |
| 7970B | Blue, 12-24V DC, 3.6A @ 12-24V DC, 3 bolt / 1" Pipe Mount |
| 7970C | Clear, 12-24V DC, 3.6A @ 12-24V DC, 3 bolt / 1" Pipe Mount |
| 7970R | Red, 12-24V DC, 3.6A @ 12-24V DC, 3 bolt / 1" Pipe Mount |
| 7970G | Green, 12-24V DC, 3.6A @ 12-24V DC, 3 bolt / 1" Pipe Mount |
| 7975A | Amber, 12-24V DC, 3.6A @ 12-24V DC, 3 bolt / 1" Pipe Mount |
| 7975B | Blue, 12-24V DC, 3.6A @ 12-24V DC, 3 bolt / 1" Pipe Mount |
| 7975C | Clear, 12-24V DC, 3.6A @ 12-24V DC, 3 bolt / 1" Pipe Mount |
| 7975R | Red, 12-24V DC, 3.6A @ 12-24V DC, 3 bolt / 1" Pipe Mount |
| 7975G | Green, 12-24V DC, 3.6A @ 12-24V DC, 3 bolt / 1" Pipe Mount |
| 7980A | Amber, 12-24V DC, 3.6A @ 12-24V DC, 3 bolt / 1" Pipe Mount |
| 7980B | Blue, 12-24V DC, 3.6A @ 12-24V DC, 3 bolt / 1" Pipe Mount |
| 7980C | Clear, 12-24V DC, 3.6A @ 12-24V DC, 3 bolt / 1" Pipe Mount |
| 7980R | Red, 12-24V DC, 3.6A @ 12-24V DC, 3 bolt / 1" Pipe Mount |
| 7980G | Green, 12-24V DC, 3.6A @ 12-24V DC, 3 bolt / 1" Pipe Mount |



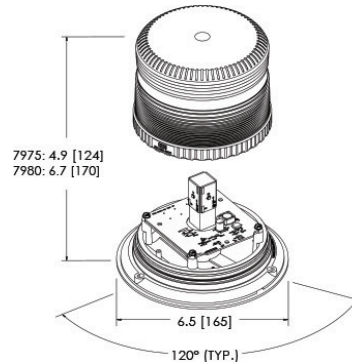
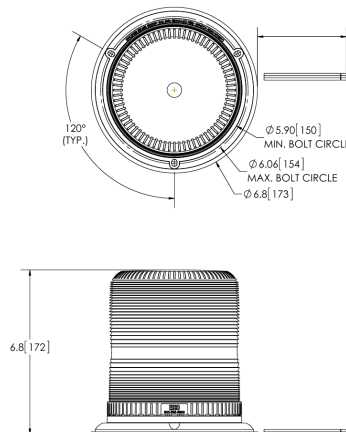
7970A



7970A-VM



7980A



Encapsulated electronics



Authorised Importer and Master Distributor

