

# GALAXY LED Beacon

10-30V DC | 9W | SAE Class I | ECE R10, ECE R65 | Rotating / Flashing Patterns



D14492

D14752

## Description

The GALAXY LED beacon is available in both rotating and flash versions. It is designed to provide high visibility and is approved under ECE R65, with the flash versions also meeting SAE Class 1 standards. For situations requiring a reliable warning light, you can trust the GALAXY beacon to perform.

## Features and Benefits

- Ultra-Bright Beacon
- 10-30V DC
- High-efficiency only 9W
- Available in rotating flash patterns and flashing pattern
- 3 bolt permanent mount/ Din pole mount / Vacuum mag-mount with cigarette plug
- Certifications: SAE Class 1, ECE R10, ECE R65

## Applications

On-Road and Construction Sites, Mining and Agriculture, and Municipal / Utility

## Tech Specs

Product Type	Complete lamp
Voltage	10-30V DC
Source	LED
Consumption	9W
Colour	D14493 / D14494 / D14495 / D14492: Amber / Orange D14752 / D14753 / D14754 / D14755: Crystal lens, Amber LED
Connector	D14752 / D14492: ISO DIN 14620B D14493 / D14753: ISO 4148/4165
Mounting	D14752 / D14492: 3 screws 3.5 x 15.9 mm D14493 / D14753: Flexible DIN pole autoblok D14494 / D14754: Magnetic 1 suction pad with cigarette lighter D14495 / D14755: Magnetic roll cable with cigarette lighter
Lens Material	Polycarbonate
Housing Material	D14752 / D14754 / D14492 / D14494: Compound thermoplastic D14495 / D14755: ABS antishock carbon-look housing
Diameter	D14752 / D14492: 146 mm D14753 / D14493: 128 mm D14754 / D14494: 142 mm D14755 / D14495: 154 mm
Height	D14752 / D14492: 120 mm D14753 / D14493: 166 mm D14754 / D14494: 128 mm D14755 / D14495: 141 mm
Weight	D14752 / D14753 / D14492 / D14493: 0,43 Kg D14754 / D14494: 0,86 Kg D14755 / D14495: 0,85 Kg
Flash Patterns	D14752 / D14753 / D14754 / D14755 / D14492 / D14493 / D14494 / D14495: Rotating or Flashing pattern
Flash per Minute	125
Operation Temperatures	-30°C to +50°C
Certifications	SAE J85 Claas I, ECE R10, ECE R65



D14755

D14495



D14494

D14757



D14493

D14753

## OEM cross reference numbers

**Schmitz Trailers:** 1348566

**Bobcat Tractor:** 7322390



Authorised Importer and Master Distributor

**APS USA**  
sales@aps-supply.com  
P: 1 619 263 4164

**APS Australia**  
sales.apsa@aps-supply.com  
P: 61 (8) 9302 2369 (WA)  
P: 61 (02) 4915 6781 (NSW)

**APS Colombia**  
ventascolombia@aps-supply.com  
T: 57 (4) 444 7275

**APS Chile**  
ventaschile@aps-supply.com  
T: 56 (2) 2948 8044

**APS Perú**  
ventasperu@aps-supply.com  
T: 56 (2) 2948 8044

**APS Indonesia**  
techcenter@aps-supply.com

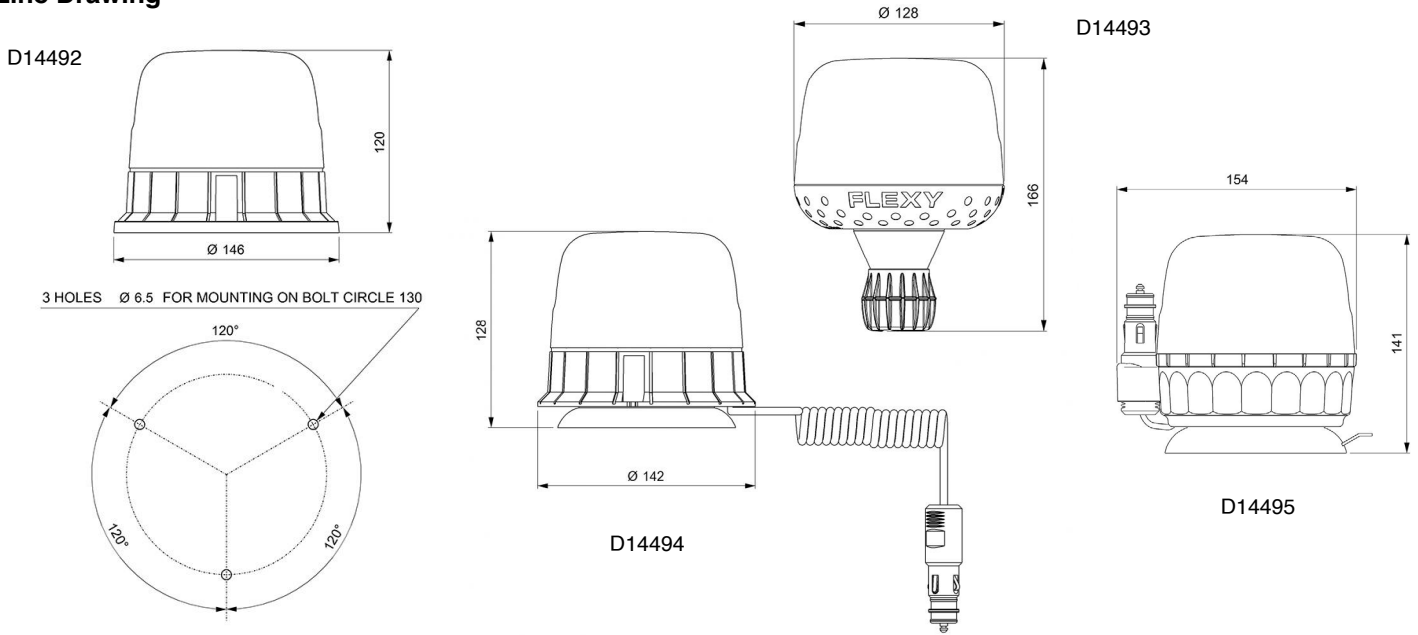


APS Contact Page

# GALAXY LED Beacon

## SAE Class I LED

### Line Drawing



### Accessories



Part No.	Description
D14492	GALAXY LED amber 3 bolt permanent mount 10-30V single flash
D14493	GALAXY LED amber pipe mount 10-30V single flash
D14494	GALAXY LED amber vacuum mount coiled cig plug 10-30V single flash
D14495	GALAXY LED amber vacuum mount straight roll plug 10-30V single flash
D14752	GALAXY LED clear 3 bolt permanent mount 10-30V single flash
D14753	GALAXY LED pipe mount 10-30V single flash clear lens
D14754	GALAXY LED vacuum mount coiled cig plug 10-30V single flash clear lens
D14755	GALAXY LED vacuum mount straight roll plug 10-30V single flash clear lens

Part No.	Accessories Description
D14779	Transparent lens for GALAXY LED beacon
D14491	Lens for beacon GALAXY LED rotating
D14496	Lens for beacon GALAXY LED flash
D16161	Amber lens for E VENUS Ecological LED beacon
D14511	Flast gasket
D14512	Tilted gasket
D14513	Socket to be screwed, ISO 4148/4165
D14514	Socket with central clamp, ISO 4148/4165



Authorised Importer and Master Distributor



**APS USA**  
sales@aps-supply.com  
P: 1 619 263 4164

**APS Australia**  
sales.apsa@aps-supply.com  
P: 61 (8) 9302 2369 (WA)  
P: 61 (02) 4915 6781 (NSW)

**APS Colombia**  
ventascolombia@aps-supply.com  
T: 57 (4) 444 7275

**APS Chile**  
ventaschile@aps-supply.com  
T: 56 (2) 2948 8044

**APS Perú**  
ventasperu@aps-supply.com  
T: 56 (2) 2948 8044

**APS Indonesia**  
techcenter@aps-supply.com



APS Contact Page