

# VEGA LED Beacon

10-30V DC | 9W | Amber | ECE R10, ECE R65 | Rotating Flash Pattern



### Description

The VEGA LED beacon features an anti-shock design for durability and reliability. Available in rotating or flash versions, it is suitable for multiple applications where robustness and longevity are crucial. The VEGA LED is designed to meet high standards of electromagnetic compatibility (EMC) and offers excellent performance.

### Features and Benefits

- Anti-shock design and vibration resistance
- 10-30V DC
- High-efficiency, only 9W
- Available in rotating flash patterns and flashing pattern by request
- Durable polycarbonate lens
- 3 bolt permanent mount / Din pole mount / Vacuum mag-mount with cigarette plug
- Certifications: R10, R65

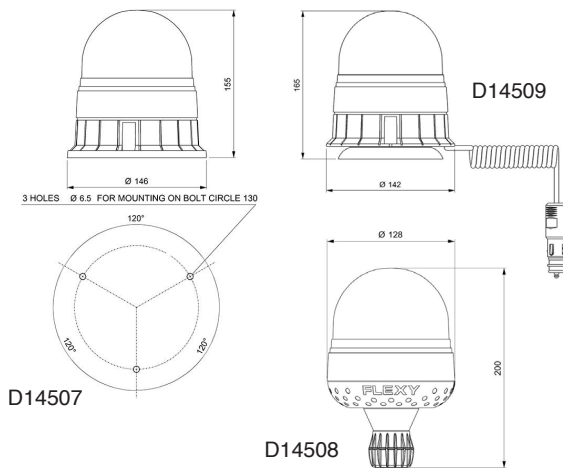
### Applications

On-Road and Construction Sites, Mining and Agriculture, and Municipal / Utility

### Tech Specs

Product Type	Complete lamp
Voltage	10-30V DC
Source	LED
Consumption	9W
Colour	Amber / Orange
Connector	D14507: ISO DIN 14620B, D14508: ISO 4148/4165
Mounting	D14507: 3 screws 3.5 x 15.9 mm, D14508: Flexible DIN pole autoblok, D14509: Magnetic 1 suction pad with cigarette lighter
Lens Material	Polycarbonate
Housing Material	D14507 / D14509: Compound thermoplastic
Diameter	D14507: 146 mm, D14508: 128 mm, D14509: 142 mm
Height	D14507: 158 mm, D14508: 200 mm, D14509: 168 mm
Weight	D14507 / D14508: 0,5 Kg, D14509: 0,93 Kg
IP Protection	D14508: IP54
Flash Patterns	Rotating Pattern
Operation Temperatures	-30°C to +50°C
Certifications	ECE R10, ECE R65

### Line Drawing



### Accessories



### Part No. Description

D14507	VEGA LED amber rotating pattern 3 bolt permanent mount 10-30V
D14508	VEGA LED amber rotating pattern vacuum mount 10-30V
D14509	VEGA LED amber rotating pattern pipe mount 10-30V

### Part No. Accessories Description

D14510	Lens for beacon Vega LED
D14511	Flast gasket
D14512	Tilted gasket
D14513	Socket to be screwed, ISO 4148/4165
D14514	Socket with central clamp, ISO 4148/4165
D14515	360° rotating socket, ISO 4148/4165
D14516	Telescopic extension rod 80/135cm for beacons, ISO 4148/4165

### OEM cross reference numbers

**Merlo Tractor:** 116119  
**VF Venieri Tractor:** 101 4 681 & 101 4 211

Authorised Importer and Master Distributor

**APS USA**  
 sales@aps-supply.com  
 P: 1 619 263 4164

**APS Australia**  
 sales.apsa@aps-supply.com  
 P: 61 (8) 9302 2369 (WA)  
 P: 61 (02) 4915 6781 (NSW)

**APS Colombia**  
 ventascolumbia@aps-supply.com  
 T: 57 (4) 444 7275

**APS Chile**  
 ventaschile@aps-supply.com  
 T: 56 (2) 2948 8044

**APS Perú**  
 ventasperu@aps-supply.com  
 T: 56 (2) 2948 8044

**APS Indonesia**  
 techcenter@aps-supply.com

