

# 7970 Series

## Pulse II LED Beacon

### Description

7970 Series Pulse® II LED beacons offer SAE Class I light output and Pulse8 flash operation combined with a long maintenance free service life and low amp draw, making this beacon a cost effective choice for many applications. Easily replace strobe or rotating beacons with the latest technology so no ongoing maintenance is required.

### Features and Benefits

- 12-24 VDC, 3.6 Amps
- Profile height 7"
- 11 flash patterns
- Aluminum base, polycarbonate lens
- Switched cigarette plug adapter (vacuum-magnet models)
- Temperature Range: -22°F to +122°F (-30°C to +50°C)

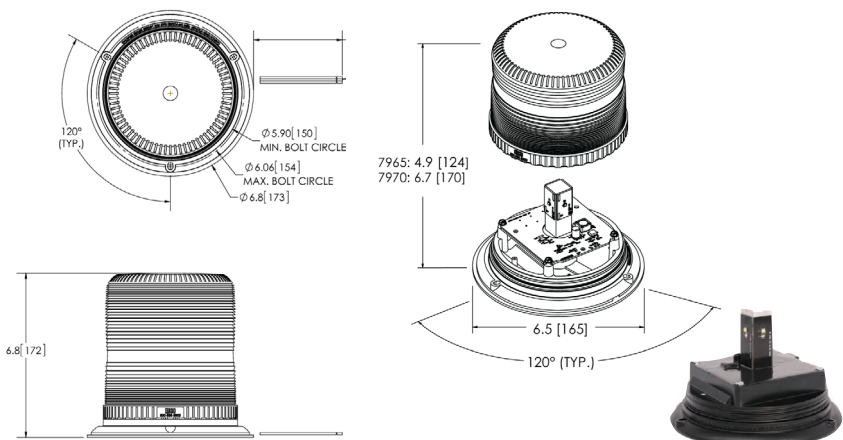
### Applications

Mining, Utility Vehicles, Heavy Equipment, Industrial, Construction, Utility, Agriculture, Port, Material Handling

### Tech Specs

Color Options	Amber, Blue, Clear / White, Red, Green
Flash Pattern	11
Approval	SAE Class I (Amber & Clean / White only), SAE Class II (Blue only), CE, R10, RoHS
Height	6.7
Length / Width	6.5
Voltage	12-24V DC
Amps	3.6A
Mount	3 Bolt / 1" Pipe, VM or HBT
Temperature Range	-22°F to + 122°F (-30°C to +50°C)
Warranty	5 Year

Part No.	Description
7970A	Amber, 12-24V DC, 3.6A @ 12-24V DC, 3 bolt / 1" Pipe Mount
7970B	Blue, 12-24V DC, 3.6A @ 12-24V DC, 3 bolt / 1" Pipe Mount
7970C	Clear / White, 12-24V DC, 3.6A @ 12-24V DC, 3 bolt / 1" Pipe Mount
7970R	Red, 12-24V DC, 3.6A @ 12-24V DC, 3 bolt / 1" Pipe Mount
7970G	Green, 12-24V DC, 3.6A @ 12-24V DC, 3 bolt / 1" Pipe Mount



Encapsulated electronics



Authorised Importer and Master Distributor



**APS USA**  
sales@aps-supply.com  
P: 1 619 263 4164

**APS Australia**  
sales.apsa@aps-supply.com  
P: 61 (8) 9302 2369 (WA)  
P: 61 (02) 4915 6781 (NSW)

**APS Colombia**  
ventascolombia@aps-supply.com  
T: 57 (4) 444 7275

**APS Chile**  
ventaschile@aps-supply.com  
T: 56 (2) 2948 8044

**APS Perú**  
ventasperu@aps-supply.com  
T: 56 (2) 2948 8044

**APS Indonesia**  
techcenter@aps-supply.com



APS Contact Page