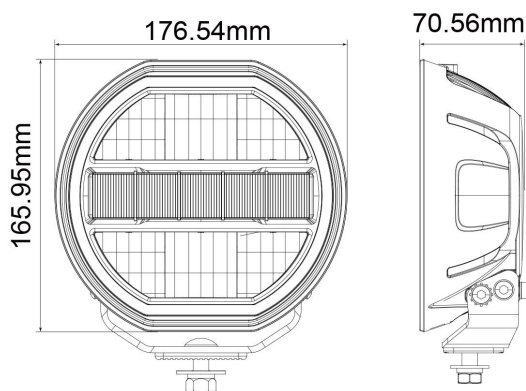


LED AUX 7" Round Driving Light

7" diameter | 10-30V DC | IP68 | 108W | ECE R10, R149



Line Drawing



Description

This auxiliary driving light is a high-quality lighting solution for off-road vehicle drivers looking to improve their visibility in the darkest environments. With exceptional power, superior build quality, operating versatility, easy installation and compact size, this headlight is the ideal choice for demanding drivers.

Features and Benefits

- With 108W, this light offers two powerful lighting modes: R149 lighting for on-road driving and a super bright mode for off-road driving.
- Light output increases from 1,080 eLumens (R149 on-road driving beam) to 3,600 eLumens (off-road high beam).
- Made from high-quality materials, including an aluminium housing, polycarbonate lens and stainless steel mounting brackets and is CE, IP68, R149 approved.
- Features a bare-wire cable for universal installation.
- Compact LED long range light measures just 7 inches in diameter, making it easy to install on your all terrain vehicle, 4x4 or truck.

Applications

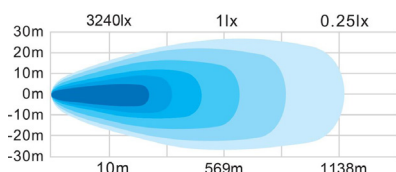
On and off-road 4WDs, 4x4, agriculture, pick-up trucks, road service, SUV, trucks and fleets.

Tech Specs

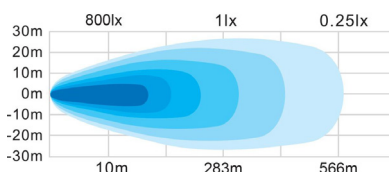
Product Type	Auxiliary light
Source	LED
Lumens	1,080 eLumens (R149), 3,600 eLumens (Off-road high beam)
Voltage	10-30V DC
Consumption	108W
Colour Temp	6000K
Beam Pattern	Driving beam R149 approved, High Beam Off Road
IP Protection	IP68
Certifications	ECE R10, R149, CE
Specific Functions	Amber position light, white position light
Lens Material	Polycarbonate
Housing Material	Aluminium
Diameter	7 inch

Part No.	Description
D16077	LED AUX 7" Round Driving Light

Off-road high beam



On-road driving beam (R149)



Authorised Importer and Master Distributor



APS USA
sales@aps-supply.com
P: 1 619 263 4164

APS Australia
sales.apsa@aps-supply.com
P: 61 (8) 9302 2369 (WA)
P: 61 (02) 4915 6781 (NSW)

APS Colombia
ventascolombia@aps-supply.com
T: 57 (4) 444 7275

APS Chile
ventaschile@aps-supply.com
T: 56 (2) 2948 8044

APS Perú
ventasperu@aps-supply.com
T: 56 (2) 2948 8044

APS Indonesia
techcenter@aps-supply.com



APS Contact Page