

# Vision X AeroTech LED Beacon Series



AERO-85612A

AERO-85606A



AERO-85600A



**FLANGE**  
PART#: AERO-85600A

**FIXED DIN**  
PART#: AERO-85602A

**MAGNETIC**  
PART#: AERO-85604A

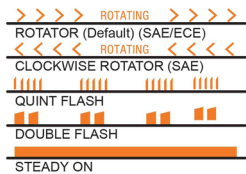


**SINGLE BOLT**  
PART#: AERO-85601A

**FLEX DIN**  
PART#: AERO-85603A

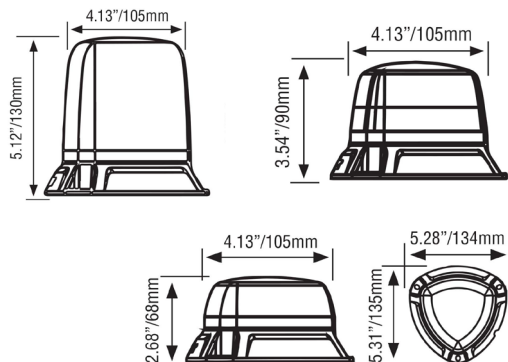
## Beam Patterns

### 4 FLASH PATTERNS



Integrated light sensor ensures no dazzling in low light conditions (Night Mode). Sensor can be overridden if required.

## Line Drawing



## Description

The AeroTech® range of strobes was designed to be the brightest and most visible strobes of their size. This has been achieved with precision reflectors, optics and high power L.E.D.s, along with a unique and stylish shape that makes them more visible. Unlike most strobes in the market, the rotate patterns of AeroTech® strobes exceed SAE Class 1. This ensures they are visible in even the brightest conditions.

## Features and Benefits

- 3 times brighter than SAE minimum
- The unique shape reduces drag by up to 60% which results in less high speed wind noise.
- Integrated light sensor ensures no dazzling in low light conditions (Night Mode). Sensor can be overridden if required.
- Alternating or synchronized operations of up to 5 strobe units
- Virtually unbreakable polycarbonate lens & base

## Applications

Civil and construction, commercial, material handling, industrial, fleets, above ground or below ground mining.



## Tech Specs

LED	9x5W, 18x5W, 36x1W (see Parts table below)
Flash Patterns	5 Selectable - Rotator (SAE/ECE) (Default), Clockwise Rotator (SAE), Double Flash (SAE), Quint Flash, Steady On
Wattage	36W, 45W, 90W (see Parts table below)
Amp Draw	Rotate 0.6 - 1.0A @ 12V DC, Flash 1.4 - 1.6A @12V DC (see Parts table below)
Operating Voltage	10-33V DC
Operating Temp	-30°C ~ +60°C
Lifespan	50,000 hrs
Housing Material	Polycarbonate
Lens Material	Polycarbonate
Shock/Vibration	ISO 16750-3
Approvals	CE, ROHS, REACH
Ingress Protection	IP67
ECE Approval	ECE R65 TA1, ECE R10
EMC Compliance	CISPR25 Class 3
SAE Compliance	J845 Class 1, W3-1
Fixture Weight	0.73 lbs (330g), 0.91 lbs (415g), 1.3 lbs (600g) (see Parts table below)
Mounting	3-Bolt Flange, Single Bolt, Fixed DIN Pole, Flexible DIN Pole, Magnetic Base
Warranty	7 years

Part No.	Description
AERO-85600A	Amber, 9x5W LEDs, Flange, Single flash, 0.73 lb, 45W, 0.6A Rotate / 1.4A Flash
AERO-85606A	Amber, 18x5W LEDs, Flange, Double flash, 0.91 lb, 90W, 1A Rotate / 1.6A Flash
AERO-85612A	Amber, 36x1W LEDs, Flange, Quad flash, 1.3 lb, 36W, 1A Rotate / 1.6A Flash
AERO-85601A	Amber, 9x5W LEDs, Single Bolt, Single flash, 0.73 lb, 45W, 0.6A Rotate / 1.4A Flash
AERO-85607A	Amber, 18x5W LEDs, Single Bolt, Double flash, 0.91 lb, 90W, 1A Rotate / 1.6A Flash
AERO-85613A	Amber, 36x1W, Single Bolt, Quad flash, 1.3 lb, 36W, 1A Rotate / 1.6A Flash
AERO-85602A	Amber, 9x5W LEDs, Fixed DIN, Single flash, 0.73 lb, 45W, 0.6A Rotate / 1.4A Flash
AERO-85608A	Amber, 18x5W LEDs, Fixed DIN, Double flash, 0.91 lb, 90W, 1A Rotate / 1.6A Flash
AERO-85614A	Amber, 36x1W LEDs, Fixed DIN, Quad flash, 1.3 lb, 36W, 1A Rotate / 1.6A Flash
AERO-85603A	Amber, 9x5W LEDs, Flex DIN, Single flash, 0.73 lb, 45W, 0.6A Rotate / 1.4A Flash
AERO-85609A	Amber, 18x5W LEDs, Flex DIN, Double flash, 0.91 lb, 90W, 1A Rotate / 1.6A Flash
AERO-85615A	Amber, 36x1W LEDs, Flex DIN, Quad flash, 1.3 lb, 36W, 1A Rotate / 1.6A Flash
AERO-85604A	Amber, 9x5W LEDs, Magnetic, Single flash, 0.73 lb, 45W, 0.6A Rotate / 1.4A Flash
AERO-85610A	Amber, 18x5W LEDs, Magnetic, Double flash, 0.91 lb, 90W, 1A Rotate / 1.6A Flash
AERO-85616A	Amber, 36x1W LEDs, Magnetic, Quad flash, 1.3 lb, 36W, 1A Rotate / 1.6A Flash



Authorised Importer and Master Distributor

**APS USA**  
sales@aps-supply.com  
P: 1 619 263 4164

**APS Australia**  
sales.apsa@aps-supply.com  
P: 61 (8) 9302 2369 (WA)  
P: 61 (02) 4915 6781 (NSW)

**APS Colombia**  
ventascolombia@aps-supply.com  
T: 57 (4) 444 7275

**APS Chile**  
ventaschile@aps-supply.com  
T: 56 (2) 2948 8044

**APS Perú**  
ventasperu@aps-supply.com  
T: 56 (2) 2948 8044

**APS Indonesia**  
techcenter@aps-supply.com



APS Contact Page