

Vision X AeroTech LED Mini Double Bars



AERO-85019AC

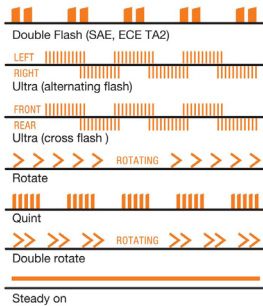


AERO-85019A

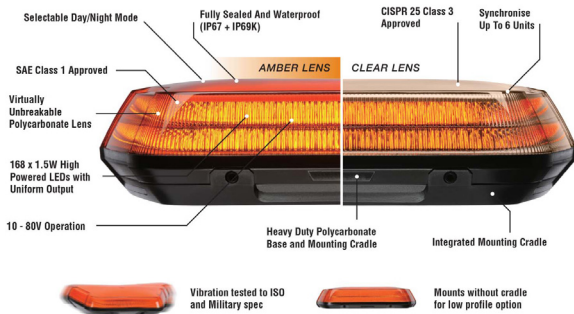
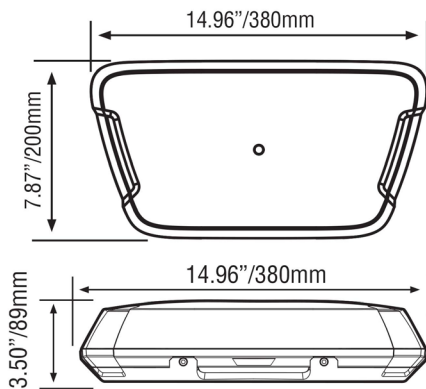
Beam Patterns

6 FLASH PATTERNS

Optional Day/Night mode ensures not to dazzle in low light conditions while being ultra visible during the day.



Line Drawing



Description

The AeroTech® range of mini double bars has been designed to be the brightest and most visible primary warning lights. This has been achieved with the combination of precision lens optics, high power LEDs along with a unique reflector design to ensure superior visibility day or night. AeroTech® mini double bars are engineered to produce uniform, ultra-bright output which meets and exceeds all international standards.

Ultrasonic welding seals the micro bars from water and dust, ensuring an IP67+IP69K rating. Heavy-duty bases ensure durability in all applications. The polycarbonate lenses themselves, virtually unbreakable, and use a special Makrolon 2607 material which is resistant to UV. Solid state circuitry means no moving parts, so no mechanical failures. This attention to detail enables Vision X to provide a 7-year warranty. These lights really are engineered to go further.

The AeroTech® range has multiple mounting options. With the option to mount via bolts to the cradle, directly to the base or even a magnetic mounting option rated to 74.5mph. They come in 3 different sizes to suit any need, from light commercial up to transport, construction and mining applications. All sizes available in Amber and Clear.

Features and Benefits

- Vision X's most visible primary warning lights
- Ultra bright, smooth output which meets and exceeds all international standards
- Optional night mode via extra wire
- Ultra durable with extreme vibration resistance
- Versatile, easy mounting
- Available in Amber and Clear

Applications

Civil and construction, commercial, material handling, industrial, fleets, above ground or below ground mining.

Tech Specs

| | |
|--------------------|--|
| LED | 168x1.5W LEDs |
| Beam Pattern | 7 Selectable - Rotator (Default), Double Rotate, Double Flash (SAE, ECE TA2), Ultra (cross flash), Ultra (alternating flash), Quint Flash, Steady On |
| Wattage | 252W |
| Amp Draw | Rotate 2A @ 12V DC / Flash 4.3A @12V DC |
| Operating Voltage | 10-80V DC |
| Operating Temp | -30°C ~ +60°C |
| Lifespan | 50,000 hrs |
| Housing Material | Polycarbonate Base |
| Lens Material | Polycarbonate |
| Shock/Vibration | ISO 16750-3, MIL-STD-810G |
| Approvals | CE, ROHS, REACH |
| Ingress Protection | IP67 + IP69K |
| ECE Approval | ECE R65 TA2, ECE R10 |
| EMC Compliance | CISPR25 Class 3 |
| SAE Compliance | J845 Class 1, W3-1 |
| Fixture Weight | 4.54lbs (2.06kg) |
| Mounting | Cradle |
| Warranty | 7 years |

Part No. Description

| | |
|--------------|---|
| AERO-85019A | Amber, 168x1.5W LEDs, Cradle, 4.54 lb, 252W, 2A Rotate / 4.3A Flash |
| AERO-85019AC | Clear, 168x1.5W LEDs, Cradle, 4.54 lb, 252W, 2A Rotate / 4.3A Flash |



Authorised Importer and Master Distributor

APS USA
sales@aps-supply.com
P: 1 619 263 4164

APS Australia
sales.apsa@aps-supply.com
P: 61 (8) 9302 2369 (WA)
P: 61 (02) 4915 6781 (NSW)

APS Colombia
ventascolombia@aps-supply.com
T: 57 (4) 444 7275

APS Chile
ventaschile@aps-supply.com
T: 56 (2) 2948 8044

APS Perú
ventasperu@aps-supply.com
T: 56 (2) 2948 8044

APS Indonesia
techcenter@aps-supply.com



APS Contact Page