

ECCO K7000B

7" LCD Color System



Description

The 7" LCD high-resolution colour monitor included with this system provides the optimal viewing area for mobile CCTV applications. Excellent picture quality is assured even in low-light conditions using a CMOS Colour infrared camera. The flat, widescreen monitor allows unobtrusive mounting with a large, easily viewable screen area. Expandable up to 2 cameras.

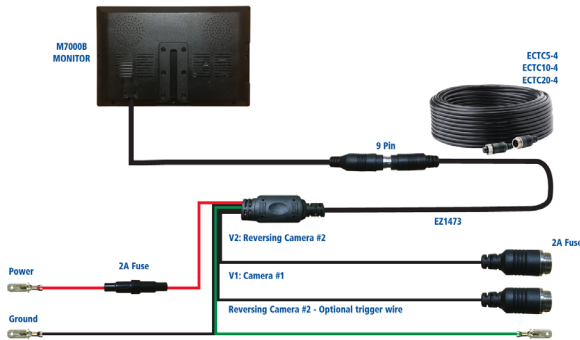
Features and Benefits

- CMOS 18 LED infrared camera
- Larger 1/3" camera sensor
- Integrated moulded shroud
- Two camera expandable
- Monitor with touch & backlight buttons
- Comes with M7000B display, C2013B camera and ECTC20-4 (20m/65') wiring harness
- 1 year warranty

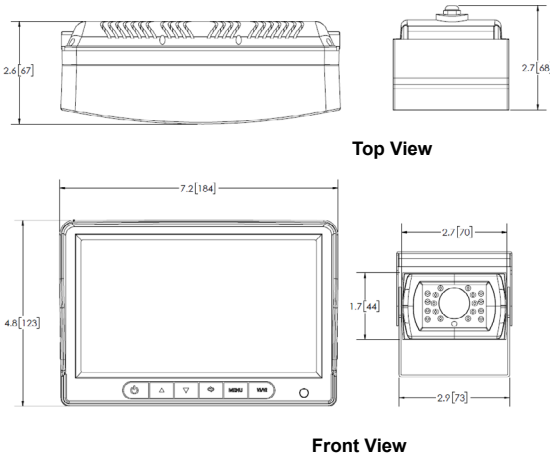
Applications

Civil / construction vehicles, drill rigs, light vehicles, utility vehicles, light / heavy fleet vehicles, mobile cranes, waste trucks

Wiring Guide



Line Drawing



Components

Part No.	Description
M7000B	M7000B Gemineye 7" LCD Color System – Monitor
C2013B	M7000B Gemineye 7" LCD Color System – Camera

Expansion Options

Accessories	Description
Any current ECCO camera	Camera
ECTC5-4 (5m/16')	Wire Harness
ECTC10-4 (10m/32')	
ECTC20-4 (20m/65')	

M7000B Tech Specs

Approvals	CE, ECE R10, FCC, RoHS
Display resolution	800 x 480px (16:9)
Format	PAL / NTSC
Color	Yes
Screen size	7"
Voltage	12-24V DC
Power Consumption	5W
Internal Controller	Yes
Sunshade	Yes
Wireless	No
Audio	No
Day / Night Light Sensor	Yes
Temperature	-4 to +158F (-20 to +70C)
Max cameras	2
Mirror image	Yes
Connection	4 pin cable
Weight	0.88 lbs, 0.4 kg
Dimensions (WxDxH)	7.2x2.6x4.8" (184x67x123mm)

C2013B Tech Specs

Approvals	IP69K, R10, RoHS
Voltage	12V DC
Color	Yes
Resolution	725 x 488px
Lens Angle	75° Horizontal 170° Vertical
Infrared LEDs	18 (8-10m night vision visibility)
Lens size	1/3"
Power Consumption	1W
Mechanical Vibration	8G
Audio	No
Day / Night Light Sensor	Yes
Temperature	-22 to +158F (-30 to +70C)
Connection	4 pin cable (threaded connection)
Mounting	Universal bracket
Weight	0.6 lbs (0.26 kg)
Dimensions (WxDxH)	2.9x2.7x1.7" (73x68x44mm)



Authorised Importer and Master Distributor



APS USA
sales@aps-supply.com
P: 1 619 263 4164

APS Australia
sales.apsa@aps-supply.com
P: 61 (8) 9302 2369 (WA)
P: 61 (02) 4915 6781 (NSW)

APS Colombia
ventascolombia@aps-supply.com
T: 57 (4) 444 7275

APS Chile
ventaschile@aps-supply.com
T: 56 (2) 2948 8044

APS Perú
ventasperu@aps-supply.com
T: 56 (2) 2948 8044

APS Indonesia
techcenter@aps-supply.com

