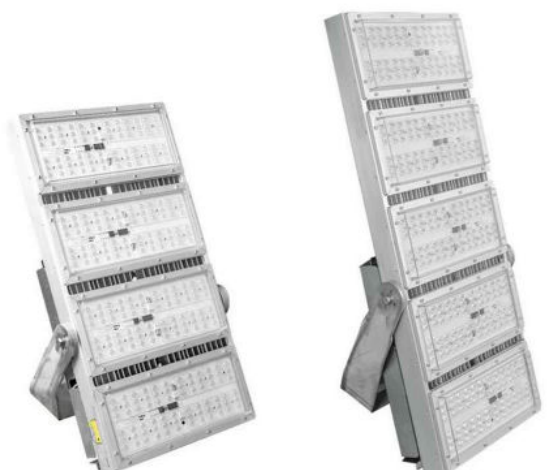


# HL80 Series LED High Mast Light



400W

600W

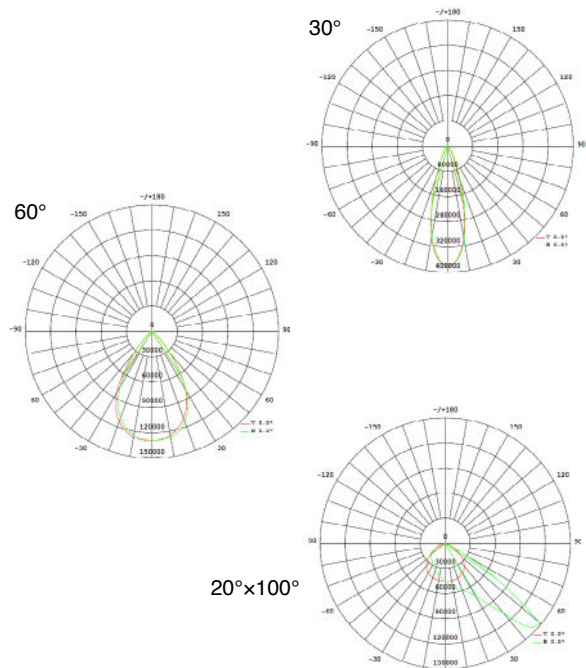


800W

1000W



## Lighting Distribution Curve



## Description

HL80 series modular LED high mast lights, combined with a variety of optical lenses to provide energy efficient and low-maintenance lighting solution. This high mast light is mainly used for industrial lighting in ports, wharfs, large-scale operation mines, airports, stadiums and other places that require sufficient perimeter lighting.

## Features and Benefits

- High thermal conductivity aluminum extrusion molding heat sink, improve LED service life.
- Well-designed heat flow channels keep the luminaire excellent heat dissipation performance.
- Equipped with waterproof and breathable valve to balance the temperature and pressure inside and outside the lamp to protect the LED light source device.
- A variety of beam patterns / optical light distribution are available for more lighting options.
- Clear and visible illumination angle adjustment, suitable for lighting in a variety of different positions.
- Rated voltage: 100-240V AC; Frequency: 50/60Hz
- Rated power: 400W, 600W, 800W, 1000W; IP Rate: IEC60529, IP67
- Optional light shield can be used to make the light interception effect of lamps better and effectively reduce glare.

## Applications

Large open areas, ports, wharfs, large-scale operation mines/mining site, high masts, airports, stadiums, workshops, warehouses, perimeter lighting, etc.

## Tech Specs

Light Source	LED
Color Temperature	Cold white: 5700K, Warm white: 2700K
CRI	Cold white: Ra≥70, Warm white: Ra≥80
Luminous Efficacy	(30°/60°) Cold white: 150lm/W, Warm white: 125lm/W Asymmetric (20°x100°) Cold white: 140lm/W, Warm white: 120lm/W
Source Life	≥50000h
Beam Angle	30° / 60° / Asymmetric 20°x100°
Rated Voltage	100-240V AC
Frequency	50/60Hz
Rated Power	400W, 600W, 800W, 1000W
Power Factor	PF>0.9
EMC	IEC61000-4-2 Contact discharge:8KV Air discharge:15KV IEC61000-4-3 800~1000MHz 10V/m IEC61000-4-4 ±2KV IEC61000-4-5 DM:±6KV CM:±10KV <sup>(1)</sup> IEC61000-4-6 0.15~80MHz 10V/m EN55015 CLASS C
Wiring Method	Lead wire
Color	Silver white
Housing	Aluminum alloy
Cover	PC
Finish	Anodized
Weight	12Kg, 17Kg, 22Kg, 28Kg
Mounting	Bracket
Ta	-40°C ~ +50°C
Vibration Level	ANSI C136.31, 1.5g
IP Rate	IEC60529, IP67
Anti-corrosion	ISO12944, C5 M
CE	EN60598-1, EN60598-2-5, EN62493, EN62471, EN55015, EN61547, EN61000-3-2, EN61000-3-3
UL	UL1598, UL8750/CSA C22.2 NO250.0-08, CSA C22.2 No250.13

Authorised Importer and Master Distributor



**APS USA**  
sales@aps-supply.com  
P: 1 619 263 4164

**APS Australia**  
sales.apsa@aps-supply.com  
P: 61 (8) 9302 2369 (WA)  
P: 61 (02) 4915 6781 (NSW)

**APS Colombia**  
ventascolombia@aps-supply.com  
T: 57 (4) 444 7275

**APS Chile**  
ventaschile@aps-supply.com  
T: 56 (2) 2948 8044

**APS Perú**  
ventasperu@aps-supply.com  
T: 56 (2) 2948 8044

**APS Indonesia**  
techcenter@aps-supply.com

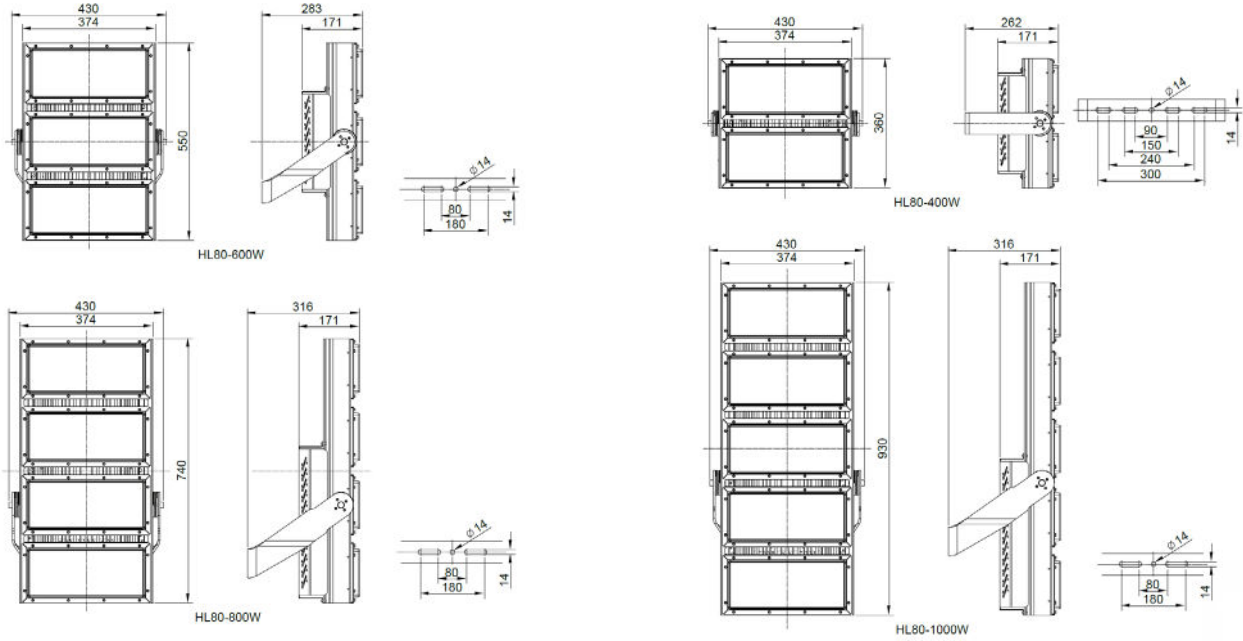


APS Contact Page

# HL80 Series LED High Mast Light

## Mounting Dimensions

Unit: mm



Part No.	Description					
	① Voltage	② Power	③ Color Temperature	④ Beam Angle	⑤ Wire Method	⑥ Mounting
HL80-①②③④⑤⑥	A: 100-240V AC	400 : 400W 600 : 600W 800 : 400W 1000: 10000W	C : 5700K N : 4000K W : 2700K	M: 30° W: 60° R : 20°x100°	1: Lead wire 2m	A: Bracket (U type / 6mm/hole spacing 90~150mm & 240~300mm/high 240mm) B: Bracket (stretch out / 6mm/hole spacing 80~180mm/high 257mm) C: Bracket (stretch out / 6mm/hole spacing 80~180mm/width 80mm)

Code	Part No.	Description					
		Voltage	Power	Color Temperature	Beam Angle	Wire Method	Mounting
1000521_007	HL80-A400CM1A	100-240V AC	400W	5700K	30°	Lead wire 2m	Bracket (U type / 6mm/hole spacing 90~150mm & 240~300mm/high 240mm)
1000521_008	HL80-A400CW1A	100-240V AC	400W	5700K	60°	Lead wire 2m	Bracket (U type / 6mm/hole spacing 90~150mm & 240~300mm/high 240mm)
1000521_009	HL80-A400CR1A	100-240V AC	400W	5700K	20°x100°	Lead wire 2m	Bracket (U type / 6mm/hole spacing 90~150mm & 240~300mm/high 240mm)
1000521_015	HL80-A600CM1B	100-240V AC	600W	5700K	30°	Lead wire 2m	Bracket (stretch out / 6mm/hole spacing 80~180mm/high 257mm)
1000521_016	HL80-A600CW1B	100-240V AC	600W	5700K	60°	Lead wire 2m	Bracket (stretch out / 6mm/hole spacing 80~180mm/high 257mm)
1000521_017	HL80-A600CR1B	100-240V AC	600W	5700K	20°x100°	Lead wire 2m	Bracket (stretch out / 6mm/hole spacing 80~180mm/high 257mm)
1000521_023	HL80-A800CM1C	100-240V AC	800W	5700K	30°	Lead wire 2m	Bracket (stretch out / 6mm/hole spacing 80~180mm/width 80mm)
1000521_024	HL80-A800CW1C	100-240V AC	800W	5700K	60°	Lead wire 2m	Bracket (stretch out / 6mm/hole spacing 80~180mm/width 80mm)
1000521_025	HL80-A800CR1C	100-240V AC	800W	5700K	20°x100°	Lead wire 2m	Bracket (stretch out / 6mm/hole spacing 80~180mm/width 80mm)
1000521_031	HL80-A1000CM1C	100-240V AC	1000W	5700K	30°	Lead wire 2m	Bracket (stretch out / 6mm/hole spacing 80~180mm/width 80mm)
1000521_032	HL80-A1000CW1C	100-240V AC	1000W	5700K	60°	Lead wire 2m	Bracket (stretch out / 6mm/hole spacing 80~180mm/width 80mm)
1000521_033	HL80-A1000CR1C	100-240V AC	1000W	5700K	20°x100°	Lead wire 2m	Bracket (stretch out / 6mm/hole spacing 80~180mm/width 80mm)



Authorised Importer and Master Distributor

**APS USA**  
sales@aps-supply.com  
P: 1 619 263 4164

**APS Australia**  
sales.apsa@aps-supply.com  
P: 61 (8) 9302 2369 (WA)  
P: 61 (02) 4915 6781 (NSW)

**APS Colombia**  
ventascolombia@aps-supply.com  
T: 57 (4) 444 7275

**APS Chile**  
ventaschile@aps-supply.com  
T: 56 (2) 2948 8044

**APS Perú**  
ventasperu@aps-supply.com  
T: 56 (2) 2948 8044

**APS Indonesia**  
techcenter@aps-supply.com



APS Contact Page