

# Vignal ATLAS Mini LED Beacon Series



221500



221300



221200

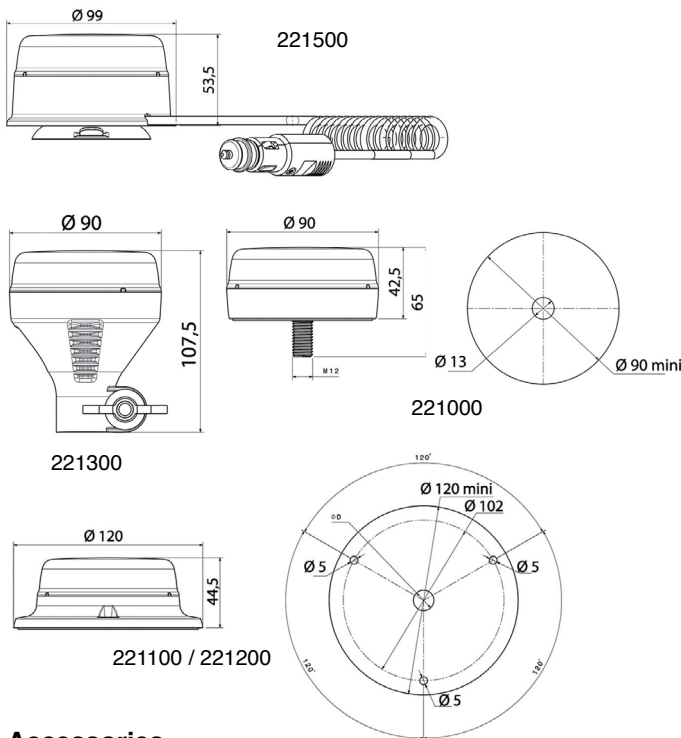


221100



221000

**Line Drawing**



**Description**

New compact and cost effective beacon ATLAS Mini: 90 mm / 99 mm / 120 mm diameter, adapts to all vehicles smart design: less components for less consumption TIR molded optics heavy duty - longlife beacon central / side cable output / mounting on 1 M12 central screw.

**Features and Benefits**

- The most compact R65 beacon
- Extra-bright double flash
- Powerful, long-life LED
- Heavy duty - excellent vibration resistance

**Applications**

Agriculture, ambulance, construction, electric vehicles, police vehicle, priority vehicle, vans and chassis cab

**Tech Specs**

Product Type	Complete lamp
Voltage	10-30V DC, 10/32V (221500 only)
Source	LED
Consumption	16W, 7W
Colour	Amber / Orange, other colors on request
Connector	221300: ISO DIN 14620B 221200 / 221100 / 221000: Naked cable extremity
Mounting	221500: Magnetic 1 suction pad with cigarette lighter 221300: Pole mounting (DIN 14620) 221200 / 221100: 3 screws 221000: 1 central screw
Lens Material	Polycarbonate
Diameter	221200 / 221100: 120 mm 221500: 99 mm 221300 / 221000: 90 mm
Height	221300: 107,5 mm 221500: 53,5 mm 221100 / 221200: 44,5 mm 221000: 42,5 mm
Weight	221500 / 221300: 0,22 Kg 221200 / 221100 / 221000: 0,175 Kg
Flash Patterns	221200 / 221100: Double Flash
IP Protection	IP6K9K (ISO 20653)
Polarity	Protected against reverse voltage
Operation Temperatures	-40°C to +80°C
EMC	CISPR25 Class 5, ECE R10
ECE	ECE R65 (TA1 or TB1)
SAE	SAE Class 1

**Part No. Description**

221500	ATLAS Mini double flash, magnetic 1 suction pad with cigarette lighter
221300	ATLAS Mini double flash, pole mounting (DIN 14620)
221200	ATLAS Mini double flash, 3 screws, side cable output
221100	ATLAS Mini double flash, 3 screws, central cable output
221000	ATLAS Mini double flash, mounting on 1 M12 central screw

**Part No. Accessories Description**

D14514	Socket with central clamp, ISO 4148/4165
D14515	360° rotating socket, ISO 4148/4165

**Accessories**

D14513



D14514



Authorised Importer and Master Distributor

**APS USA**  
sales@aps-supply.com  
P: 1 619 263 4164

**APS Australia**  
sales.apsa@aps-supply.com  
P: 61 (8) 9302 2369 (WA)  
P: 61 (02) 4915 6781 (NSW)

**APS Colombia**  
ventascolombia@aps-supply.com  
T: 57 (4) 444 7275

**APS Chile**  
ventaschile@aps-supply.com  
T: 56 (2) 2948 8044

**APS Perú**  
ventasperu@aps-supply.com  
T: 56 (2) 2948 8044

**APS Indonesia**  
techcenter@aps-supply.com



APS Contact Page