

Vision X 2 & 3 Digit LED VID

Allows personnel to identify vehicles in any weather



Description

The Vision X Identification Number Board allows personnel to quickly identify vehicles in any weather condition. Available in 2-Digit or 3-Digit configurations, these LED ID Boards can be changed as often as needed, and are engineered to run 24/7. Installing the Vision X ID Number Board means vehicles won't require numbers to be painted and can be quickly changed, reducing downtime during crucial time frames.

Features and Benefits

- Numerical LEDs Controlled Via Magnetic Sensor
- 195 LEDs Per Number
- Red, Green, Blue, Amber LEDs Available
- Auto Dim / Bright for Day and Night time Operation

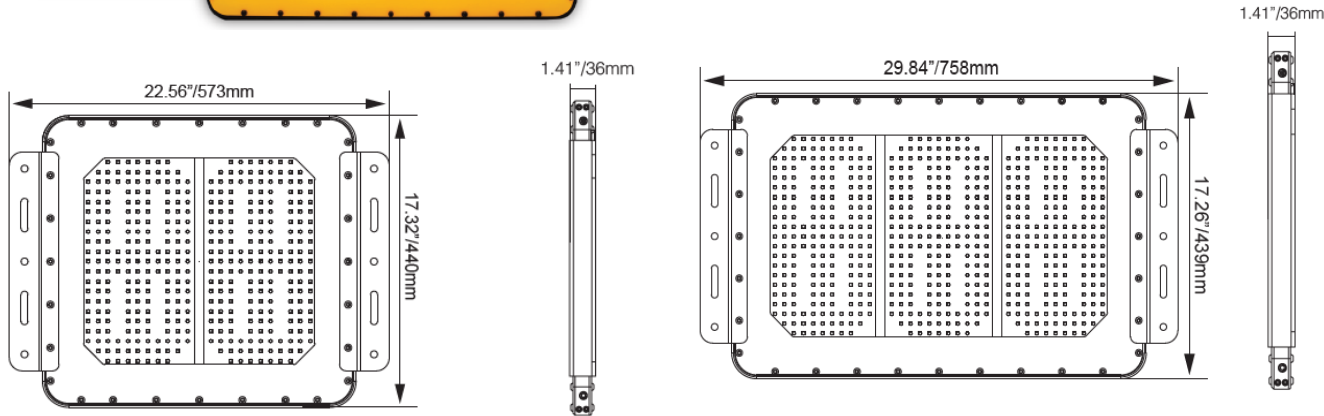
Applications

Off-highway, mining, specialty & commercial trucks and buses

Tech Specs

Fixture Weight w/ Brackets	21lbs (9.53kg) (2 Digit), 27lbs (12.25kg) (3 Digit)
Shipping Weight	24lbs (10.98kg) (2 Digit), 30lbs (13.61kg) (3 Digit)
Mounting	Modular Mounting Brackets
Hardware	Included (with magnetic sensor)
LED	5050 (0.2W)
Color	Red, Green, Blue, Amber
Beam Pattern	120° Extra Wide View
Wattage	78W (2 Digit), 117W (3 Digit)
Amp Draw	6.5A @ 12V (2 Digit), 9.75A @ 12V (3 Digit)
Operating Voltage	12-36V DC
Operating Temperature	-40°C ~ 80°C
Lifespan	50,000 hours
Connector	3 Pin Deutsch
Housing	Die-Cast 6061 Aluminum
Housing Color	Black
Lens	Polycarbonate
EMC Emission	CISPR 25 Class 1
Ingress Protection	IP68, IP69K
Vibration Rating	21.2Grms
Warranty	3 Years

Part No.	Description
MIL-ID02A	2 Digit Display - Amber, 78W, 6.5A @ 12V DC with Mounting Brackets
MIL-ID02R	2 Digit Display - Red, 78W, 6.5A @ 12V DC with Mounting Brackets
MIL-ID02G	2 Digit Display - Green, 78W, 6.5A @ 12V DC with Mounting Brackets
MIL-ID02B	2 Digit Display - Blue, 78W, 6.5A @ 12V DC with Mounting Brackets
MIL-ID03A	3 Digit Display - Amber, 117W, 9.75A @ 12V DC with Mounting Brackets
MIL-ID03R	3 Digit Display - Red, 117W, 9.75A @ 12V DC with Mounting Brackets
MIL-ID03G	3 Digit Display - Green, 117W, 9.75A @ 12V DC with Mounting Brackets
MIL-ID03B	3 Digit Display - Blue, 117W, 9.75A @ 12V DC with Mounting Brackets



Authorised Importer and Master Distributor

APS USA
sales@aps-supply.com
P: 1 619 263 4164

APS Australia
sales.apsa@aps-supply.com
P: 61 (8) 9302 2369 (WA)
P: 61 (02) 4915 6781 (NSW)

APS Colombia
ventascolombia@aps-supply.com
T: 57 (4) 444 7275

APS Chile
ventaschile@aps-supply.com
T: 56 (2) 2948 8044

APS Perú
ventasperu@aps-supply.com
T: 56 (2) 2948 8044

APS Indonesia
techcenter@aps-supply.com



APS Contact Page