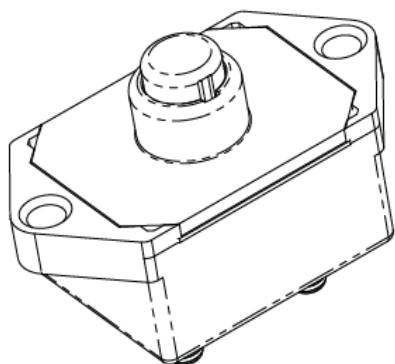


Klixon S Series (SLA, SDLA, SDLM)

SDLM 35 to 150 Amp Commercial Thermal Circuit Breaker



Description

The Klixon® S series thermal breakers are designed to protect wiring and meet the harshest environmental requirements. The sealed circuit breakers are weatherproof for protection against moisture, dust, grease, fuel vapors and other harsh environments. The S series breakers are lightweight and designed to interrupt short circuits or overloads and combine trip-free protection with fast response time. Typical applications are protection of wire and cable of accessory circuits, equipment and battery protection on heavy trucks, buses, construction equipment, off-road vehicles, marine, recreational vehicles (RVs) and electric (hybrid) vehicles, and battery chargers. The S series is available in both open and sealed body configurations with manual and automatic reset options.

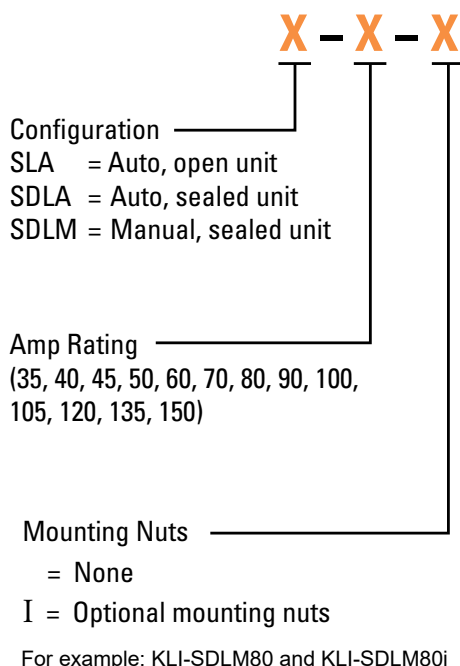
Features and Benefits

- 30VDC, 35 to 150 Amps
- Open and sealed assemblies, manual and automatic reset options
- Ignition protected
- UL Recognized E69772

Tech Specs

Calibration: 200% rated current, 77°F (25°C)	35 to 150 Amps: 8 to 100 seconds
Ultimate Trip at 77°F (25°C)	Must hold 100%, Must trip 135%
Endurance	Per SAE J1625
Interrupt Current Capacity	Per SAE J1625 and ABYC E-11
Mechanical Vibration	Per SAE J1455, 4G's, 10-2K Hz
Voltage Breakdown	Per SAE J1625 500VAC
Salt Spray	Per SAE J1625, 96 hours
Voltage Drop	Per SAE J1625
Weight (with mounting nuts)	SDLM (A): 75 grams (71 grams) max SLA: 62 grams max

Ordering Information



Part No.	Description
KLI-SDLM105i	Klixon SDLM Series 105 Amp Commercial Thermal Circuit Breaker
KLI-SDLM120i	Klixon SDLM Series 120 Amp Commercial Thermal Circuit Breaker
KLI-SDLM150i	Klixon SDLM Series 150 Amp Commercial Thermal Circuit Breaker
KLI-SDLM35i	Klixon SDLM Series 35 Amp Commercial Thermal Circuit Breaker
KLI-SDLM40i	Klixon SDLM Series 40 Amp Commercial Thermal Circuit Breaker
KLI-SDLM50i	Klixon SDLM Series 50 Amp Commercial Thermal Circuit Breaker
KLI-SDLM60i	Klixon SDLM Series 60 Amp Commercial Thermal Circuit Breaker
KLI-SDLM70i	Klixon SDLM Series 70 Amp Commercial Thermal Circuit Breaker
KLI-SDLM80i	Klixon SDLM Series 80 Amp Commercial Thermal Circuit Breaker
KLI-SDLM90i	Klixon SDLM Series 90 Amp Commercial Thermal Circuit Breaker



Authorised Importer and Master Distributor



APS USA
 sales@aps-supply.com
 P: 1 619 263 4164

APS Australia
 sales.apsa@aps-supply.com
 P: 61 (8) 9302 2369 (WA)
 P: 61 (02) 4915 6781 (NSW)

APS Colombia
 ventascalombia@aps-supply.com
 T: 57 (4) 444 7275

APS Chile
 ventaschile@aps-supply.com
 T: 56 (2) 2948 8044

APS Perú
 ventasperu@aps-supply.com
 T: 56 (2) 2948 8044

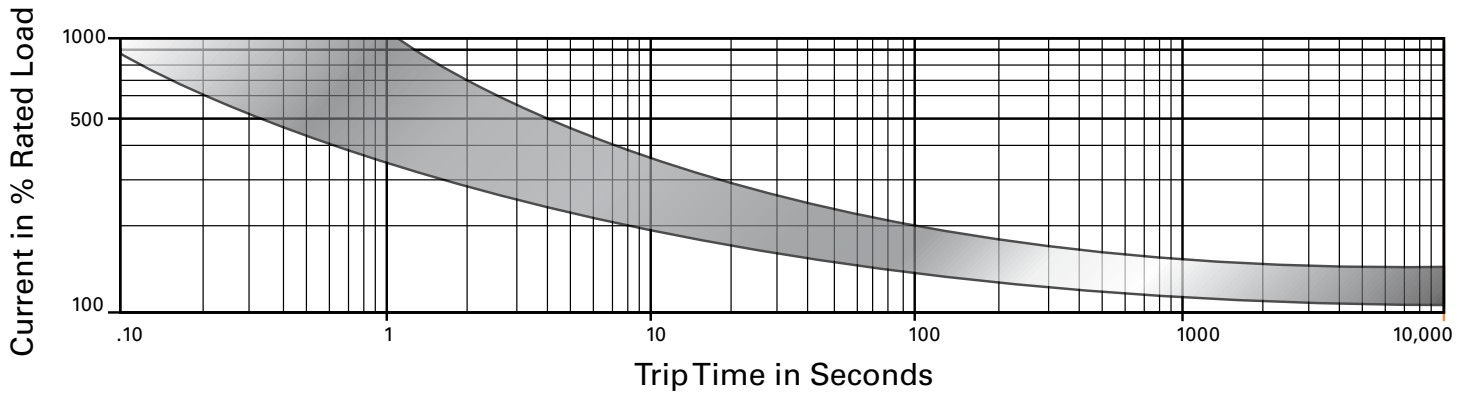
APS Indonesia
 techcenter@aps-supply.com



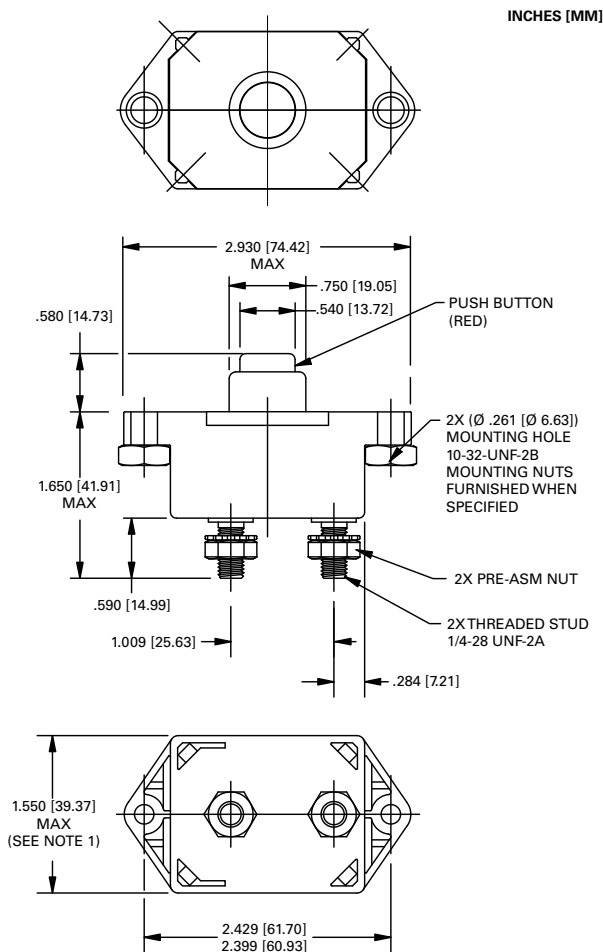
APS Contact Page

Klixon S Series (SLA, SDLA, SDLM)

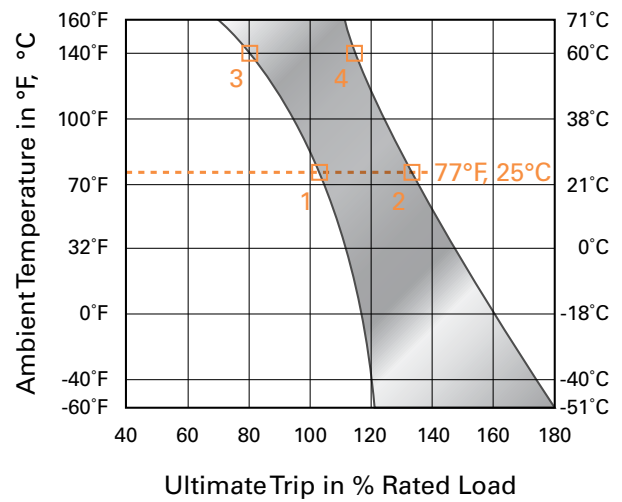
Trip Curve - Approximate Time, Current Characteristics At 77°F (25°C)



Dimensions - SDLM



Derating Curve



Performance characteristics are based on room temperature (77°F, 25°C). Consult Derating curve for ambient temperatures significantly higher or lower than standard room temperature.

Example: At 77°F (25°C) the device is calibrated to hold at 100% of rated current (1) and trip at 135% of rated current (2). At 140°F (60°C), the same device will hold at approximately 78% of rated current (3), and trip at approximately 115% of rated current (4).

Notes:

1. Dimension does not include sealing gasket.

KLIXON

Authorised Importer and Master Distributor

APS USA
sales@aps-supply.com
P: 1 619 263 4164

APS Australia
sales.apsa@aps-supply.com
P: 61 (8) 9302 2369 (WA)
P: 61 (02) 4915 6781 (NSW)

APS Colombia
ventascolombia@aps-supply.com
T: 57 (4) 444 7275

APS Chile
ventaschile@aps-supply.com
T: 56 (2) 2948 8044

APS Perú
ventasperu@aps-supply.com
T: 56 (2) 2948 8044

APS Indonesia
techcenter@aps-supply.com



APS Contact Page